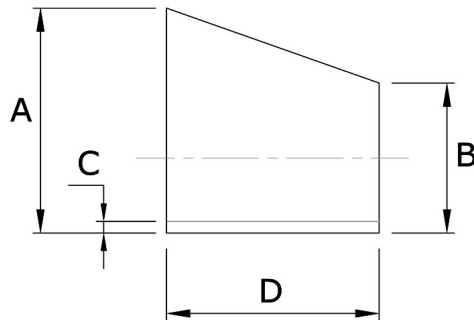


## Welding Fittings – Eccentric Reducer – 316L - Polished

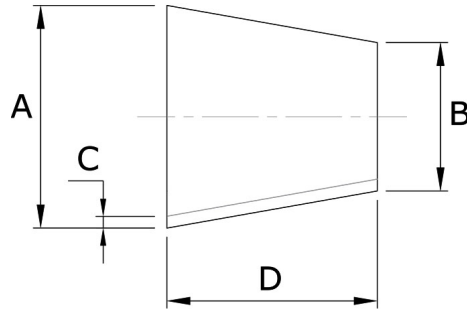


Size	A	B	C	D	Part No
¾" x ½"	19.05	12.7	1.6	15	<a href="#">2054-A019-013</a>
1" x ½"	25.4	12.7	1.6	25	<a href="#">2054-A026-013</a>
1" x ¾"	25.4	19.1	1.6	15	<a href="#">2054-A026-019</a>
1½" x ½"	38.1	12.7	1.6	42	<a href="#">2054-A038-013</a>
1½" x ¾"	38.1	19.05	1.6	44	<a href="#">2054-A038-019</a>
1½" x 1"	38.1	25.4	1.6	36	<a href="#">2054-A038-026</a>
2" x ½"	50.8	12.7	1.6	79	<a href="#">2054-A051-013</a>
2" x ¾"	50.8	19.05	1.6	68	<a href="#">2054-A051-019</a>
2" x 1"	50.8	25.4	1.6	55	<a href="#">2054-A051-026</a>
2" x 1½"	50.8	38.1	1.6	34	<a href="#">2054-A051-038</a>
2½" x 1"	63.5	25.4	1.6	76	<a href="#">2054-A064-026</a>
2½" x 1½"	63.5	38.1	1.6	65	<a href="#">2054-A064-038</a>
2½" x 2"	63.5	50.8	1.6	34	<a href="#">2054-A064-051</a>
3" x 1"	76.2	25.4	1.6	101	<a href="#">2054-A076-026</a>
3" x 1½"	76.2	38.1	1.6	76	<a href="#">2054-A076-038</a>
3" x 2"	76.2	50.8	1.6	66	<a href="#">2054-A076-051</a>
3" x 2½"	76.2	63.5	1.6	42	<a href="#">2054-A076-064</a>
4" x 1"	101.6	25.4	2.0	156	<a href="#">2054-A102-026</a>
4" x 1½"	101.6	38.1	2.0	130	<a href="#">2054-A102-038</a>
4" x 2"	101.6	50.8	2.0	100	<a href="#">2054-A102-051</a>
4" x 2½"	101.6	63.5	2.0	73	<a href="#">2054-A102-064</a>
4" x 3"	101.6	76.2	2.0	72	<a href="#">2054-A102-076</a>
5" x 4"	M.T.O	-	-	-	<a href="#">2054-A129-102</a>
6" x 2"	M.T.O	-	-	-	<a href="#">2054-A154-051</a>
6" x 3"	M.T.O	-	-	-	<a href="#">2054-A154-076</a>
6" x 4"	-	-	-	-	<a href="#">2054-A154-102</a>

\*Other options including 1¼" and metric variations available on request  
Descaled finish also available  
\*M.T.O – Made To Order

Dimensions are provided in good faith but may be subject to change; if dimensions are critical please call the office to confirm all sizes before placing an order.

## Welding Fittings – Concentric Reducer – 316L - Polished



Size	A	B	C	D	Part No
3/4" x 1/2"	19.05	12.7	1.6	14	2051-A019-013
1" x 1/2"	25.4	12.7	1.6	20	2051-A026-013
1" x 3/4"	25.4	19.1	1.6	13	2051-A026-019
1 1/2" x 1/2"	38.1	12.7	1.6	44	2051-A038-013
1 1/2" x 3/4"	38.1	19.05	1.6	44	2051-A038-019
1 1/2" x 1"	38.1	25.4	1.6	28	2051-A038-026
2" x 1/2"	50.8	12.7	1.6	61	2051-A051-013
2" x 3/4"	50.8	19.05	1.6	66	2051-A051-019
2" x 1"	50.8	25.4	1.6	53	2051-A051-026
2" x 1 1/2"	50.8	38.1	1.6	38	2051-A051-038
2 1/2" x 1/2"	M.T.O	-	1.6	-	2051-A064-013
2 1/2" x 3/4"	M.T.O	-	1.6	-	2051-A064-019
2 1/2" x 1"	63.5	25.4	1.6	80	2051-A064-026
2 1/2" x 1 1/2"	63.5	38.1	1.6	60	2051-A064-038
2 1/2" x 2"	63.5	50.8	1.6	39	2051-A064-051
3" x 1"	76.2	25.4	1.6	106	2051-A076-026
3" x 1 1/2"	76.2	38.1	1.6	81	2051-A076-038
3" x 2"	76.2	50.8	1.6	64	2051-A076-051
3" x 2 1/2"	76.2	63.5	1.6	40	2051-A076-064
4" x 1"	101.6	25.4	2.0	160	2051-A102-026
4" x 1 1/2"	101.6	38.1	2.0	133	2051-A102-038
4" x 2"	101.6	50.8	2.0	107	2051-A102-051
4" x 2 1/2"	101.6	63.5	2.0	78	2051-A102-064
4" x 3"	101.6	76.2	2.0	53	2051-A102-076
5" x 3"	M.T.O	-	-	-	2051-A129-076
5" x 4"	M.T.O	-	-	-	2051-A129-102
6" x 2 1/2"	M.T.O	-	-	-	2051-A154-064
6" x 3"	M.T.O	-	-	-	2051-A154-076
6" x 4"	M.T.O	-	-	-	2051-A154-102
6" x 5"	M.T.O	-	-	-	2051-A154-129
8" x 3"	M.T.O	-	-	-	2051-A204-076

\*Other options including 1/4" and metric variations available on request  
Descaled finish also available  
\*M.T.O – Made To Order

Dimensions are provided in good faith but may be subject to change; if dimensions are critical please call the office to confirm all sizes before placing an order.