

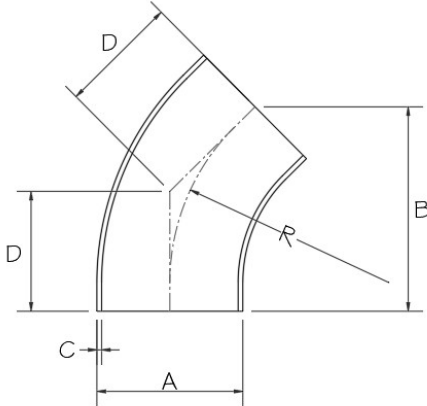
## 90° Bend - Plain Ended Weld Fittings – Imperial

<b>90° Bend - Plain Ended Weld Fittings – Imperial</b>						
<p><b>Bends R=1.5 D - 90° BS Long - Polished</b></p>	Size	A	B	C	R	Part No
	½"	12.90	60.0	1.6	25.0	2040-A013
	¾"	19.05	60.0	1.6	32.0	2040-A019
	1"	25.40	65.0	1.6	37.5	2040-A026
	1¼"	31.80	85.0	1.6	51.0	2040-A031
	1½"	38.10	85.0	1.6	57.0	2040-A038
	2"	50.80	110.0	1.6	76.5	2040-A051
	2½"	63.50	135.0	1.6	95.3	2040-A064
	3"	76.10	155.0	1.6	114.0	2040-A076
	4"	101.60	195.0	2.0	153.0	2040-A102
Descaled finish also available						
<p><b>Bends R=1.5 D - 90° BS Short - Polished</b></p>	Size	A	B	C	R	Part No
	1"	25.4	44	1.6	37.5	2041-A026
	1½"	38.1	64	1.6	57.0	2041-A038
	2"	50.8	89	1.6	76.5	2041-A051
	2½"	63.5	114	1.6	95.3	2041-A064
	3"	76.1	134	1.6	114.0	2041-A076
	4"	101.6	174	2.0	153.0	2041-A102
Descaled finish also available						
<p><b>Bends R=1.0 D - 90° - Polished</b></p>	Size	A	B	C	R	Part No
	1"	25.4	55	1.6	25	2049-A026
	1½"	38.1	70	1.6	38	2049-A038
	2"	50.8	82	1.6	51	2049-A051
	2½"	63.5	105	1.6	64	2049-A064
	3"	76.2	110	1.6	76	2049-A076
	4"	-	-	-	-	2049-A102
Descaled finish also available						

Dimensions are provided in good faith but may be subject to change; if dimensions are critical please call the office to confirm all sizes before placing an order.

## 45° Bend 316L - Plain Ended Weld Fittings – Imperial

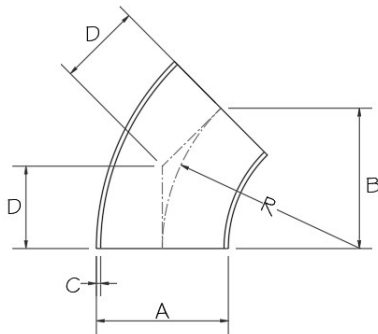
**Bend Standard - 45° BS Long - Polished**



Size	A	B	C	D	R	Part No
0.50"	12.7	51.0	1.5	30.0	40.0	<a href="#">2046-A013</a>
0.75"	19.05	51.0	1.5	30.0	60.0	<a href="#">2046-A019</a>
1"	25.4	51.0	1.5	30.0	38.0	<a href="#">2046-A026</a>
1¼"	31.75	61.0	1.5	36.0	48.0	<a href="#">2046-A031</a>
1½"	38.1	70.0	1.5	41.0	57.0	<a href="#">2046-A038</a>
2"	50.8	99.0	1.5	58.0	76.0	<a href="#">2046-A051</a>
2½"	63.5	130.0	1.5	76.0	95.0	<a href="#">2046-A064</a>
3"	76.2	160.0	1.5	94.0	114.0	<a href="#">2046-A076</a>
4"	101.6	208.0	2.0	122.0	153.0	<a href="#">2046-A102</a>

Descaled finish also available

**Bend R=1.5 D - 3A x 45° - BS Short Polished**



Size	A	B	C	D	Part No
0.50"	12.7	17.0	1.65	11.9	<a href="#">2045-A013</a>
0.75"	19.05	20.0	1.65	11.9	<a href="#">2045-A019</a>
1"	25.4	27.0	1.65	15.8	<a href="#">2045-A026</a>
1¼"	31.8	34.0	1.65	20.0	<a href="#">2045-A031</a>
1½"	38.1	41.0	1.65	23.8	<a href="#">2045-A038</a>
2"	50.8	54.0	1.65	31.75	<a href="#">2045-A051</a>
2½"	63.5	67.0	1.65	39.6	<a href="#">2045-A064</a>
3"	76.2	81.0	1.65	47.6	<a href="#">2045-A076</a>
4"	101.6	108.0	2.10	63.5	<a href="#">2045-A102</a>

Descaled finish also available

Dimensions are provided in good faith but may be subject to change; if dimensions are critical please call the office to confirm all sizes before placing an order.