

611N – Screwed Union Sight Glasses

Screwed Union Sight Glasses are based on the German DIN 11851 hygienic milk union.

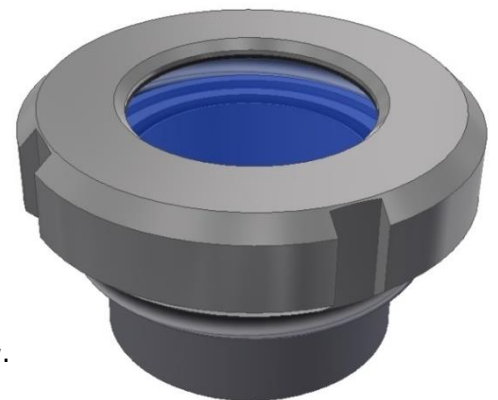
We offer a range of sizes in this design, from the DN25 to DN150 that allows for an array of potential applications in the process industries from pipelines to vessels, tanks, mixers and silos.

The 316L SS male fitting is welded into the wall of the pipeline or vessel and the 304SS slotted nut sandwiches the view glass panel between the internal "Wet" hygienic process seal and the upper "Dry" seal .

Its compact design also makes this unit ideal for inspection use in small bio-reactor vessels and the lids of manways or inspection hatches.

Used widely in the food, dairy, beverage, cosmetic and pharmaceutical industries, these units can be enhanced by the addition of wiper assemblies and also low voltage 24v/IP 65 sight & light assemblies.

Sight and light glass arrangements can be combined in one integral "Sight / Light Glass" assembly or used in tandem; one unit fitted with the light and the separate unit located to view.



General:

Size range from DN25 to DN150

View glass diameter from Ø25 to 150mm
Working temperatures up to 150°C with toughened soda lime glass, while 280°C is possible with toughened borosilicate glass (DIN 8902).

Standard operating pressures - 6 bar with higher pressures available on request.

The sight glass is suitable for vacuum use.
(Please check at enquiry stage).

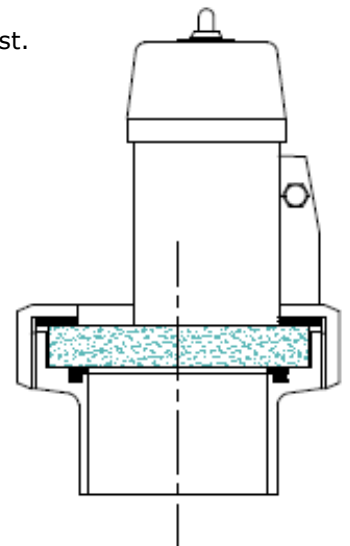
Options:

Soda lime (150°C) and borosilicate glass (280°C) view ports to DIN 8902

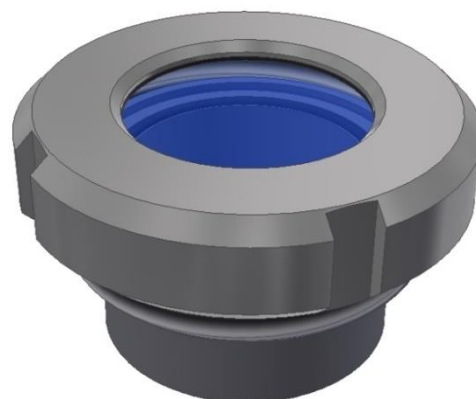
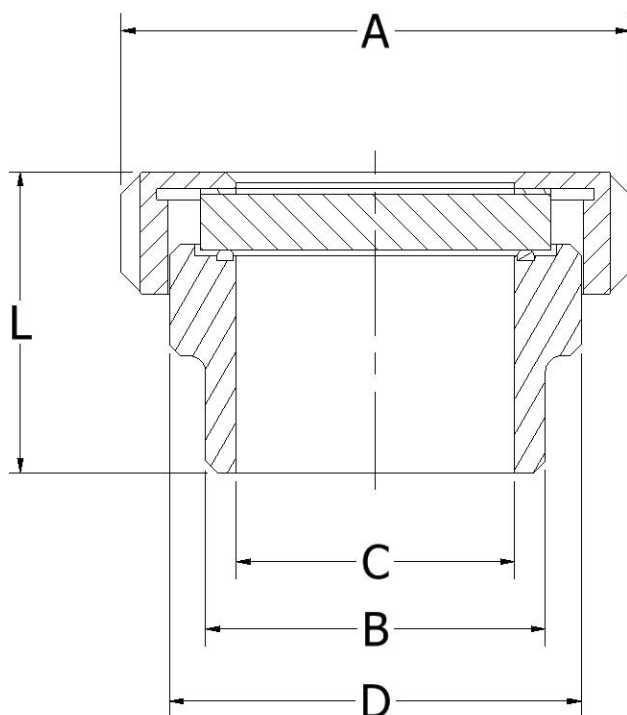
Range of food grade seal materials including Buna, Silicone, Viton® and PTFE

Wetted parts available in 316L 1.4404, 316Ti 1.4571, 304SS 1.4401 and exotic alloys are available as specials

IP65 rated low voltage 24v / 12V lights with 20 to 50 Watt halogen lamps



611N – Screwed Union Sight Glass



Part No	Size DN	A	B	C	D	L	View Port Ø	Max. Pressure
611N-A025	25	63	29	26	52	37	26	6.0
611N-A032	32	70	35	32	58	40	32	6.0
611N-A040	40	78	41	38	65	41	38	6.0
611N-A050	50	92	53	50	78	43	50	6.0
611N-A065	65	112	70	66	95	48	66	6.0
611N-A080	80	127	85	81	110	58	81	6.0
611N-A100	100	148	104	100	130	67	100	6.0
611N-A125	125	178	129	125	160	58	125	6.0
611N-A150	150	210	154	150	190	63	150	6.0

Options:

Soda lime and borosilicate glass view ports to DIN 8902

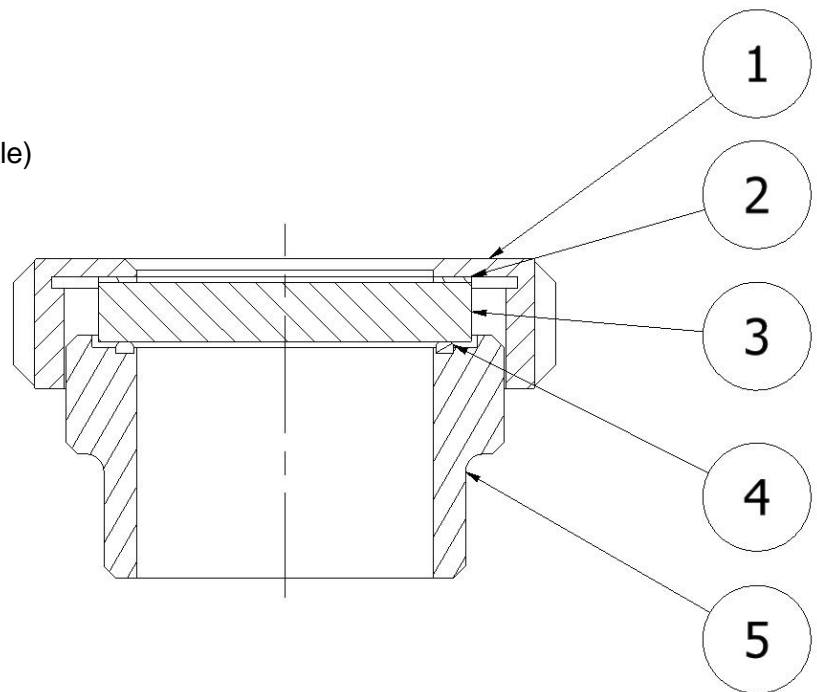
Range of food grade seal materials including Buna, Silicone, Viton® and PTFE

Wetted parts available in 316L 1.4404, 316Ti 1.4571, 304SS 1.4401 and exotic alloys as specials

IP65 rated low voltage 24v / 12V lights with 20 to 50 Watt halogen lamps

Spares List:

1. Slotted Nut
2. Dry Seal
3. Glass Panel
4. Wet Seal (O Ring)
5. Wet Nozzle (DIN11851 Male)



Options:

Soda lime and borosilicate glass view ports to DIN 8902

Range of food grade seal materials including Buna, Silicone, Viton® and PTFE

Wetted parts available in 316L 1.4404, 316Ti 1.4571, 304SS 1.4401 and exotic alloys as specials

IP65 rated low voltage 24v / 12V lights with 20 to 50 Watt halogen lamps

Replacement glass panels are available in both Soda Lime and Toughened Borosilicate glass

