

RJT Hygienic Unions – BS 4825 Part 5

The RJT (Ring Type Joint) union is used extensively throughout the dairy, brewing and beverage industries. Originally introduced under the BS 1864: 1966 Standard for manual cleaning, this hexagonal screwed union utilises an O ring seal and is now covered by the standard BS 4825 Part 5. The wetted parts are supplied in 316 stainless steel and the nuts in 304 SS. The fitting is widely used throughout the UK and Europe and is useful in systems where regular dismantling is required. The RJT union is particularly forgiving when taking up tube misalignment on long lengths.

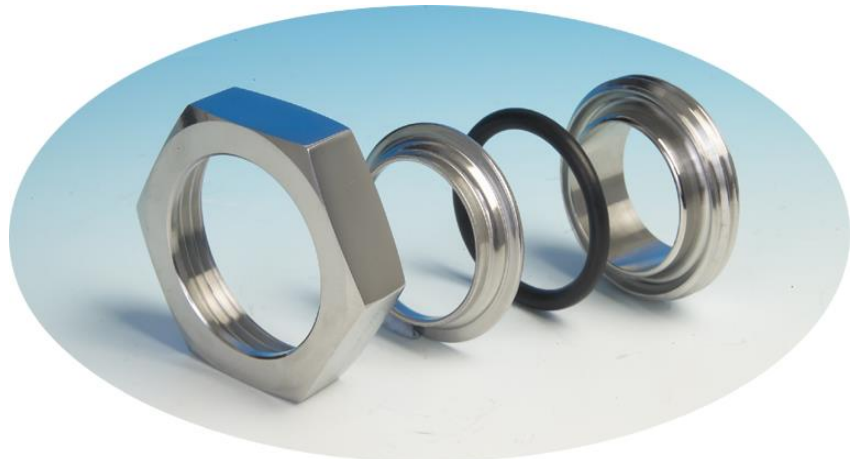
Designed to operate at a maximum working pressure of 10 Bar (1 MPa), at ambient temperature.

Size range:

Imperial tube 1" to 6".

Accessories:

Conical Strainers
RJT Spanner
Blank Nuts and Chains
Pipe Clips and U Bolts
SRJT
Fabricated Bends, Tees and Manifolds
Filters, Screens and Sampling
Equipment



Seal Materials:

Nitrile, EPDM, Silicone, FKM/Viton® & PTFE.

Additional:

The **SRJT Union** was developed for large bore tubes and although based on the RJT fitting, the seal is flush fittings and produces a crevice free joint.

SRJT size range:

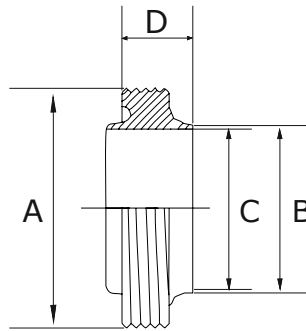
Imperial tube 4" to 6".

Full range of Butterfly Valves, Ball Valves, Pressure Relief and Non-Return Associated Standards:

- BS 4825 Part 1 - Stainless Steel Tube for Food Industry and Hygienic Applications
- BS 4825 Part 2 - Stainless Steel Bends and Tees for the Food Industry
- ASTM A270 - Stainless Steel Tube for Sanitary, Dairy and Food Industries
- ASTM A269 - Stainless Steel Tubes for General Duties
- DIN 11852 - Hygienic Fittings, Metric
- DIN 11850 - Hygienic Tube, Metric
- DIN 11864 - Aseptic Fittings, Flange, Clamp & Union
- DIN 11866 - Pharmaceutical Tube, Metric
- ASME BPE - Pharmaceutical Tube, Imperial
- ISO 2037 - Stainless Steel Tubes for the Food Industry
- ASTM A213 - Stainless Steel Seamless Tube for Boiler and Heat Exchangers
- ASTM A312 - Stainless Steel Pipe for High Temperature and General uses
- ISO 1127 - Stainless Steel Tubes
- ISO 2851 - Stainless Steel Bends and Tees for the Food Industry
- SMS 3008 - Stainless Steel Tubes
- SMS 3017 - Stainless Steel Tubes

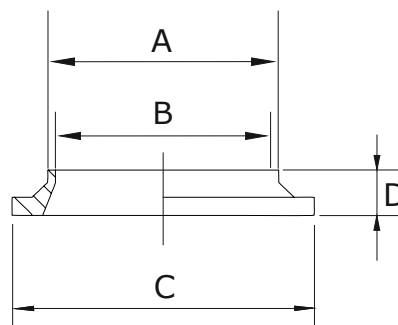
Dimensions are provided in good faith but may be subject to change, if dimensions are critical please call the office to confirm all sizes before placing an order.

RJT Weld Male



Size	A	B	C	D	Part No 316L	Part No 316
1"	46.0	25.4	22.2	22.5	5061-A026	5061-B026
1.½"	58.0	38.1	34.9	22.5	5061-A038	5061-B038
2"	73.0	50.8	47.6	22.5	5061-A051	5061-B051
2.½"	85.0	63.5	60.3	22.5	5061-A064	5061-B064
3"	98.0	76.2	73.0	22.5	5061-A076	5061-B076
4"	125.0	101.6	97.6	22.5	5061-A102	5061-B102
6"	169.5	152.4	148.0	28.5	5061-A152	5061-B152

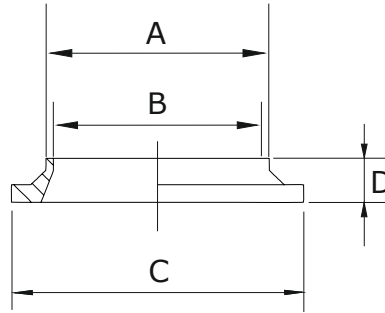
RJT Weld Liner Pressed - 316L



Size	A	B	C	D	Part No
1"	25.4	22.2	41.3	12.7	5062-A026
1.½"	38.1	34.9	54.0	12.7	5062-A038
2"	50.8	47.6	66.7	12.7	5062-A051
2.½"	63.5	60.3	79.4	12.7	5062-A064
3"	76.2	73.0	92.1	12.7	5062-A076
4"	101.6	97.6	117.5	12.7	5062-A102

Dimensions are provided in good faith but may be subject to change, if dimensions are critical please call the office to confirm all sizes before placing an order.

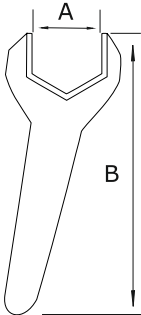
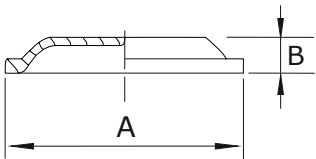
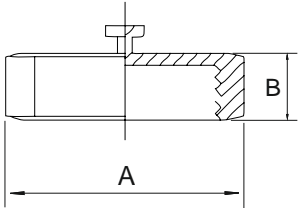
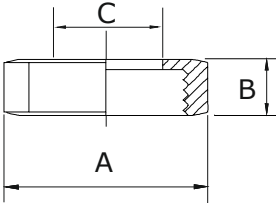
RJT Weld Liner Machined - 316L



Size	A	B	C	D	Part No
1"	25.4	22.2	41.3	12.7	5063-A026
1.½"	38.1	34.9	54.0	12.7	5063-A038
2"	50.8	47.6	66.7	12.7	5063-A051
2.½"	63.5	60.3	79.4	12.7	5063-A064
3"	76.2	73.0	92.1	12.7	5063-A076
4"	101.6	97.6	117.5	12.7	5063-A102
6"	152.4	148.0	169.1	23.5	5063-B152*

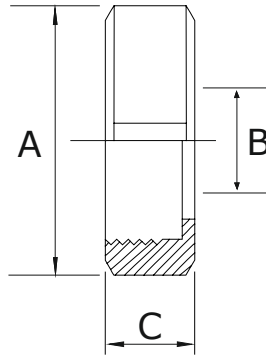
*6" Liner offered in T316 only.

Dimensions are provided in good faith but may be subject to change, if dimensions are critical please call the office to confirm all sizes before placing an order.

RJT Spanners					
	Size	A (A/F)	B	Part No	
	1"	51	240	510P-1026	
	1.½"	65	285	510P-1038	
	2"	79	305	510P-1051	
	2.½"	92	325	510P-1064	
	3"	105	440	510P-1076	
	4"	130	445	510P-1102	
RJT Pressed Blank - 316L					
	Size	A	B	Part No	
	1"	41	8.1	5068-A026	
	1.½"	54	8.1	5068-A038	
	2"	66.5	8.1	5068-A051	
	2.½"	79	8.1	5068-A064	
	3"	92	8.1	5068-A076	
	4"	117	8.1	5068-A102	
6"	169	8.3	5068-A152		
RJT Blank Nut & Chain - 304					
	Size	A	B	Part No	
	1"	51	23.5	5069-C026	
	1.½"	65	23.5	5069-C038	
	2"	79	23.5	5069-C051	
	2.½"	92	23.5	5069-C064	
	3"	105	23.5	5069-C076	
4"	130	23.5	5069-C102		
RJT Hexagon Nut - 304					
	Size	A	B	C	Part No
	1"	51	22.2	33.3	5065-C026
	1.½"	65	22.2	46.0	5065-C038
	2"	79	22.2	58.7	5065-C051
	2.½"	92	22.2	71.4	5065-C064
	3"	105	22.2	84.1	5065-C076
	4"	130	22.2	109.5	5065-C102
6"	184	24.0	163.0	5065-C152	

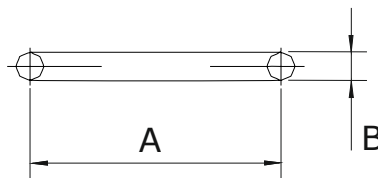
Dimensions are provided in good faith but may be subject to change, if dimensions are critical please call the office to confirm all sizes before placing an order.

RJT Round Slotted Nut - 304



Size	A	B	C	Part No
1"	58.5	33.5	22.2	5064-C026
1.½"	74.0	46.0	22.2	5064-C038
2"	85.5	58.7	22.2	5064-C051
2.½"	98.5	71.4	22.2	5064-C064
3"	111.6	84.1	22.2	5064-C076
4"	138.0	109.7	22.2	5064-C102
6"	197.0	163.0	23.5	5064-C152

RJT O Ring Seal

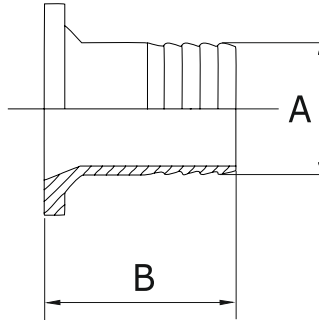


Colour		Blue/black	Green/black	Black	
Size	A	B	Part No EPDM	Part No FKM	Part No Nitrile
1"	33.3	6.6	5030-E026	5030-V026	5030-N026
1.½"	46.0	6.6	5030-E038	5030-V038	5030-N038
2"	58.7	6.6	5030-E051	5030-V051	5030-N051
2.½"	71.4	6.6	5030-E064	5030-V064	5030-N064
3"	84.1	6.6	5030-E076	5030-V076	5030-N076
4"	109.5	6.6	5030-E102	5030-V102	5030-N102
6"	162.6	6.6	5030-E152	-	5030-N152

Other materials available:
 1. 5030-T - PTFE (white)
 2. 5030-S - Silicone (white/red)

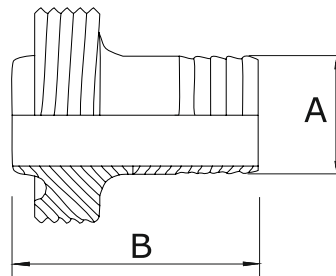
Dimensions are provided in good faith but may be subject to change, if dimensions are critical please call the office to confirm all sizes before placing an order.

RJT Female Hoseliner - 316



Size	A	B	Part No
1"	25.4	92.7	506K-B026
1.½"	38.1	97.7	506K-B038
2"	50.8	97.7	506K-B051
2.½"	63.5	107.7	506K-B064
3"	76.2	112.7	506K-B076
4"	101.6	132.7	506K-B102

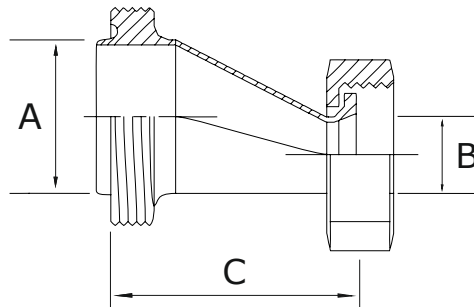
RJT Male Hosetail - 316



Size	A	B	Part No
1"	25.4	106.3	506L-B026
1.½"	38.1	111.3	506L-B038
2"	50.8	111.3	506L-B051
2.½"	63.5	121.3	506L-B064
3"	76.2	126.3	506L-B076
4"	101.6	146.3	506L-B102

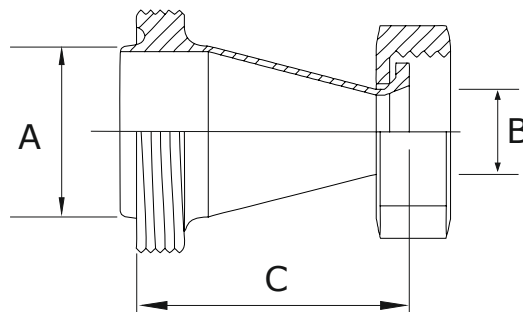
Dimensions are provided in good faith but may be subject to change, if dimensions are critical please call the office to confirm all sizes before placing an order.

RJT Eccentric Reducer M/F - 316



Size	A	B	C	Part No
1½"-1"	38.1	25.4		5054-B038-026
2"-1"	50.8	25.4		5054-B051-026
2"-1½"	50.8	38.1		5054-B051-038
2½"-1½"	63.5	38.1		5054-B064-038
2½"-2"	63.5	50.8		5054-B064-051
3"-1½"	76.2	38.1		5054-B076-038
3"-2"	76.2	50.8		5054-B076-051
3"-2½"	76.2	63.5		5054-B076-064
4"-2"	101.6	50.8		5054-B102-051
4"-3"	101.6	76.2		5054-B102-076

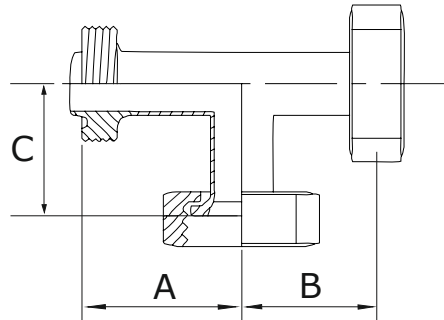
RJT Concentric Reducer M/F - 316



Size	A	B	C	Part No
1½"-1"	38.1	25.4		5051-B038-026
2"-1"	50.8	25.4		5051-B051-026
2"-1½"	50.8	38.1		5051-B051-038
2½"-1½"	63.5	38.1		5051-B064-038
2½"-2"	63.5	50.8		5051-B064-051
3"-1½"	76.2	38.1		5051-B076-038
3"-2"	76.2	50.8		5051-B076-051
3"-2½"	76.2	63.5		5051-B076-064
4"-2"	101.6	50.8		5051-B102-051
4"-3"	101.6	76.2		5051-B102-076

Dimensions are provided in good faith but may be subject to change, if dimensions are critical please call the office to confirm all sizes before placing an order.

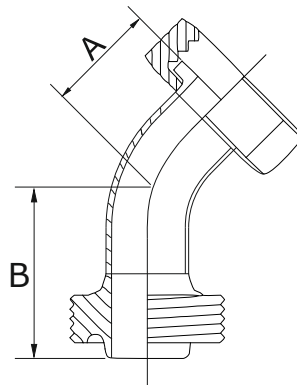
RJT Equal Tee – MFF branch – 316L



Size	A	B	C	Part No
1"				504P-B026-MFF
1.½"				504P-B038-MFF
2"				504P-B051-MFF
2.½"				504P-B064-MFF
3"				504P-B076-MFF
4"				504P-B102-MFF

***Note: Available in Variations, Please state which RJT End connectors you require either Male or Female.**

RJT 45° Bend - M/F - 316

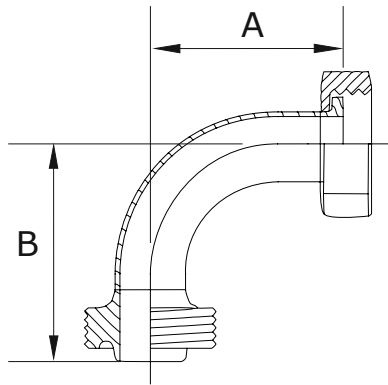


Size	A	B	Part No
1"	40	56	5046-B026
1.½"	49	63	5046-B038
2"	58	72	5046-B051
2.½"	65	78	5046-B064
3"	75	88	5046-B076
4"	120	131	5046-B102

***Note: Available in Variations, Please state which RJT End connectors you require either Male or Female.**

Dimensions are provided in good faith but may be subject to change, if dimensions are critical please call the office to confirm all sizes before placing an order.

RJT 90° Bend - M/F - 316

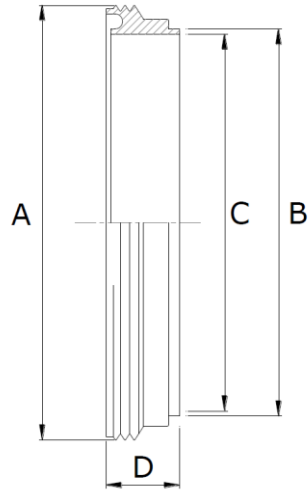


Size	A	B	Part No
1"	54	70	5040-B026
1.½"	76	90	5040-B038
2"	101	115	5040-B051
2.½"	127	140	5040-B064
3"	147	160	5040-B076
4"	189	200	5040-B102

***Note: Available in Variations, Please state which RJT End connectors you require either Male or Female.**

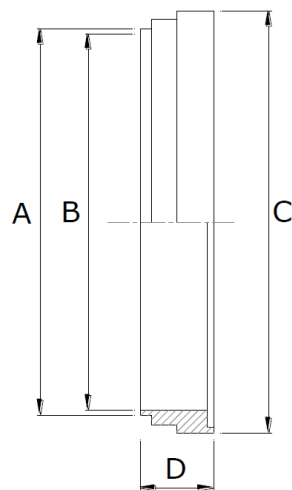
Dimensions are provided in good faith but may be subject to change, if dimensions are critical please call the office to confirm all sizes before placing an order.

SRJT Weld Male - 316L



Size	A	B	C	D	Part No
4"	-	-	-	-	D061-A102
5"	-	-	-	-	D061-A127
6"	175.0	154.0	150.0	29.5	D061-A152

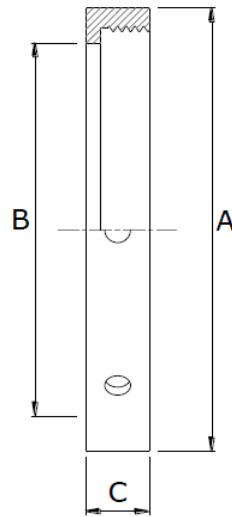
SRJT Weld Liner - 316L



Size	A	B	C	D	Part No
4"	-	-	-	-	D063-A102
5"	-	-	-	-	D063-A127
6"	154.0	150.0	168.2	16.4	D063-A152

Dimensions are provided in good faith but may be subject to change, if dimensions are critical please call the office to confirm all sizes before placing an order.

SRJT Round Nut - 304



Size	A	B	C	D	Part No
4"	-	-	-		D064-C102
5"	-	-	-		D064-C127
6"	190	160	27		D064-C152

SRJT Stepped Gasket - Nitrile



Size	A	B	C	D	Part No
4"	-	-			D030-N102
5"	-	-			D030-N127
6"	-	-			D030-N152

Dimensions are provided in good faith but may be subject to change, if dimensions are critical please call the office to confirm all sizes before placing an order.