

## Clamp BSP Adapters and Hosetails

A comprehensive range of clamp adaptors is offered in BSP threads, allowing for quick and easy attachment from different thread sizes to hygienic clamp ferrules.

This useful range of adaptors is ideal for taking quick samples on low pressure applications and for temporary connections.

Many clamp standard adaptors offered to BSP and NPT options.

We also offer higher pressure options in nominal bore sizes for swaged hoses.

Many Clamp to BSP options in Male and Female threads are held in stock.

NPT and UNC adapters can also be made to order.

Low sulphur specials have also been manufactured for stringent applications



### Clamp Hosetails:

- 316L stainless steel material
- Range of sizes and options available
- 4mm to 2" sizes held in stock
- Fabrication service available for specials
- 0.5  $\mu$ m Ra internal surface finish offered as standard
- Many reducing and compensatory sizes are also available
- Electro polishing available for high surface finish
- Exotic materials available such as titanium, Hastelloy®, Monel®, Nylon and ABS
- Material certification to EN 10204 3.1.B

### Options:

- Heavy section hosetails with Clamp connections
- Specials with UNC, NPT, URT, SAE and JIC hydraulic connections

### Clamp Adapters:

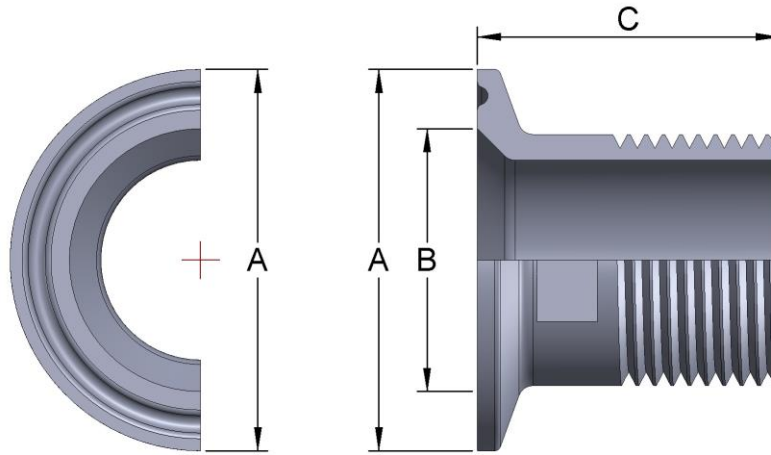
- 316L stainless steel material
- Range of sizes and options available from 1/8" BSP
- Many BSP Male and Female sizes held in stock
- Reducing options also available such as 1" to 3/4" BSP
- Specials available to order including Clamp to NPT, NPS, RJT

Dimensions are provided in good faith but may be subject to change; if dimensions are critical please call the office to confirm all sizes before placing an order.

DS: [Clamp Hosetails & Adapters V1.8](#)

Page No: 1

## 3014 - Clamp Adaptors – BSP Taper Male



Size	A	B	C	BSPM	Part No
1/2" x 1/4"	25.0	9.50	30	1/4"	3014-A013-0064
1/2" x 3/8"	25.0	9.50	30	3/8"	3014-A013-0095
1/2" x 1/2"	25.0	9.50	32	1/2"	3014-A013
3/4" x 1/2"	25.0	15.85	32	1/2"	3014-A019-013
3/4" x 3/4"	25.0	15.85	35	3/4"	3014-A019
1" x 3/8"	50.5	22.0	30	3/8"	3014-A026-0095
1" x 1/2"	50.5	22.0	35	1/2"	3014-A026-013
1" x 3/4"	50.5	22.0	35	3/4"	3014-A026-019
1"	50.5	22.0	35	1"	3014-A026
1 1/2" x 1/2"	50.5	35.0	35	1/2"	3014-A038-013
1 1/2" x 3/4"	50.5	35.0	35	3/4"	3014-A038-019
1 1/2" x 1"	50.5	35.0	35	1"	3014-A038-026
1 1/2" x 1 1/4"	50.5	35.0	35	1 1/4"	3014-A038-032
1 1/2"	50.5	35.0	35	1 1/2"	3014-A038
2"	64.0	47.6	40	2"	3014-A051
DN10 x 1/4"	34.0	10.0	30	1/4"	3014-A010-0064
DN10 x 3/8"	34.0	10.0	30	3/8"	3014-A010-0095
DN10 x 1/2"	34.0	10.0	30	1/2"	3014-A010-013
DN10 x 3/4"	34.0	10.0	30	3/4"	3014-A010-019
DN15 x 1/4"	34.0	16.0	30	1/4"	3014-A015-0064
DN15 x 3/8"	34.0	16.0	30	3/8"	3014-A015-0095
DN15 x 1/2"	34.0	16.0	30	1/2"	3014-A015-013
DN15 x 3/4"	34.0	16.0	30	3/4"	3014-A015-019
DN20 x 1/4"	34.0	20.0	30	1/4"	3014-A020-0064
DN20 x 3/8"	34.0	20.0	30	3/8"	3014-A020-0095
DN20 x 1/2"	34.0	20.0	30	1/2"	3014-A020-013
DN20 x 3/4"	34.0	20.0	30	3/4"	3014-A020-019

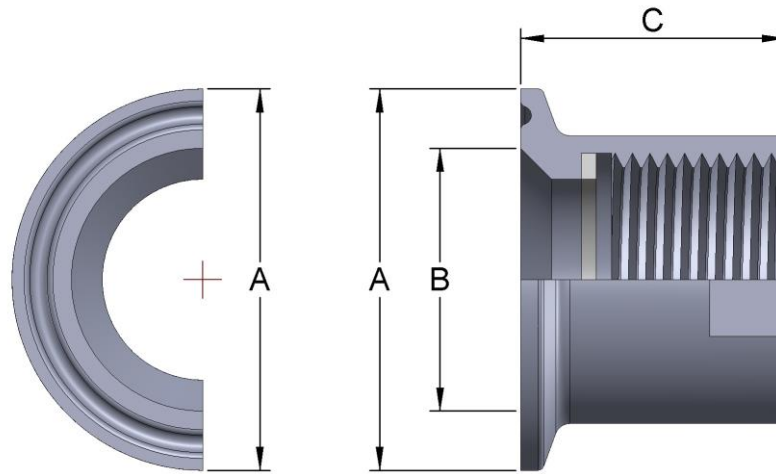
NPT Male threads are also available  
Other sizes are available on request

Dimensions are provided in good faith but may be subject to change; if dimensions are critical please call the office to confirm all sizes before placing an order.

DS: Clamp Hosetails & Adapters V1.8

Page No: 2

## 3015 - Clamp Adaptors – BSP Female - Imperial



Size	A	B	C	BSP	Part No
1/2" x 1/8"	25.0	10.0	25.0	1/8"	3015-A013-0032
1/2" x 1/4"	25.0	10.0	25.0	1/4"	3015-A013-0064
1/2" x 3/8"	25.0	10.0	25.0	3/8"	3015-A013-0095
1/2" x 1/2"	25.0	10.0	30.0	1/2"	3015-A013
1/2" x 3/4"	25.0	10.0	30.0	3/4"	3015-A013-019
3/4" x 1/2"	25.0	15.85	30	1/2"	3015-A019-013
3/4" x 3/4"	25.0	15.85	30	3/4"	3015-A019
1" x 1/8"	50.5	22.0	25.0	1/8"	3015-A026-0032
1" x 1/4"	50.5	22.0	25.0	1/4"	3015-A026-0064
1" x 3/8"	50.5	22.0	25.0	3/8"	3015-A026-0095
1" x 1/2"	50.5	22.0	25.0	1/2"	3015-A026-013
1" x 3/4"	50.5	22.0	25.0	3/4"	3015-A026-019
1"	50.5	22.0	25.0	1"	3015-A026
1 1/2" x 1/8"	50.5	35.0	25.0	1/8"	3015-A038-0032
1 1/2" x 1/4"	50.5	35.0	25.0	1/4"	3015-A038-0064
1 1/2" x 3/8"	50.5	35.0	25.0	3/8"	3015-A038-0095
1 1/2" x 1/2"	50.5	35.0	25.0	1/2"	3015-A038-013
1 1/2" x 3/4"	50.5	35.0	25.0	3/4"	3015-A038-019
1 1/2" x 1"	50.5	35.0	35.0	1"	3015-A038-026
2" x 1/2"	64.0	47.6	25.0	1/2"	3015-A051-013
2" x 3/4"	64.0	47.6	25.0	3/4"	3015-A051-019
2" x 1"	64.0	47.6	25.0	1"	3015-A051-026
2" x 1 1/2"	64.0	47.6	25.0	1 1/2"	3015-A051-038
2"	64.0	47.6	25.0	2"	3015-A051
3" x 2"	91.0	73.0	50.0	2"	3015-A076-051
3" x 2.1 1/4"	91.0	73.0	50.0	2.1 1/4"	3015-A076-057
3" x 2. 1/2"	91.0	73.0	50.0	2. 1/2"	3015-A076-064

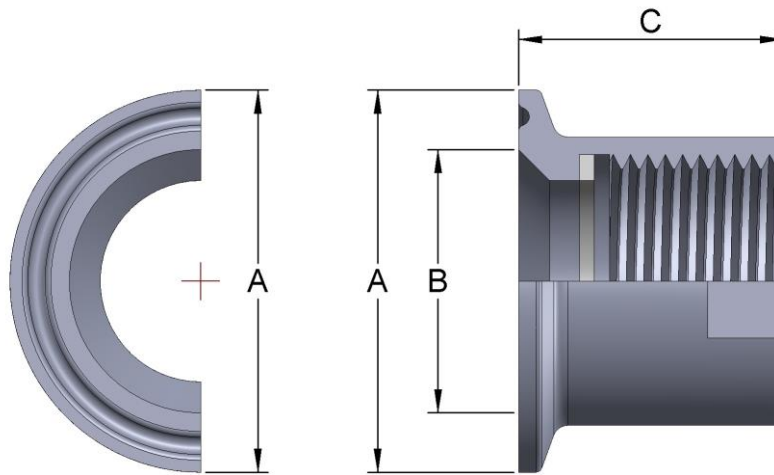
Most of the above sizes are held in stock for immediate delivery  
Other sizes are available on request

Dimensions are provided in good faith but may be subject to change; if dimensions are critical please call the office to confirm all sizes before placing an order.

DS: Clamp Hosetails & Adapters V1.8

Page No: 3

## 3015 - Clamp Adaptors – BSP Female - Metric



Size	A	B	C	BSPP	Part No
DN10 x 1/4"	34.0	10.0	25.0	1/4"	3015-A010-0064
DN10 x 3/8"	34.0	10.0	25.0	3/8"	3015-A010-0095
DN10 x 1/2"	34.0	10.0	30.0	1/2"	3015-A010-013
DN10 x 3/4"	34.0	10.0	30.0	3/4"	3015-A010-019
DN15 x 1/4"	34.0	16.0	30.0	1/4"	3015-A015-0064
DN15 x 3/8"	34.0	16.0	25.0	3/8"	3015-A015-0095
DN15 x 1/2"	34.0	16.0	30.0	1/2"	3015-A015-013
DN15 x 3/4"	34.0	16.0	30.0	3/4"	3015-A015-019
DN20 x 1/4"	34.0	20.0	25.0	1/4"	3015-A020-0064
DN20 x 3/8"	34.0	20.0	25.0	3/8"	3015-A020-0095
DN20 x 1/2"	34.0	20.0	30.0	1/2"	3015-A020-013
DN20 x 3/4"	34.0	20.0	30.0	3/4"	3015-A020-019

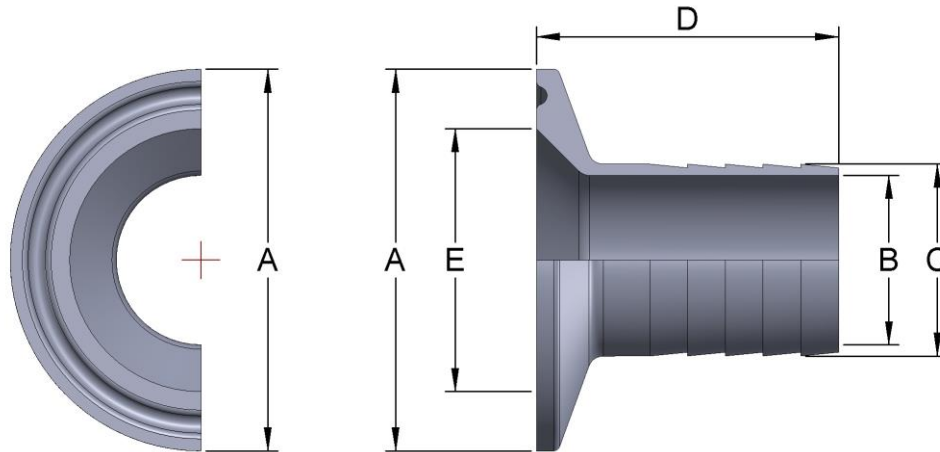
Most of the above sizes are held in stock for immediate delivery  
Other sizes are available on request

Dimensions are provided in good faith but may be subject to change; if dimensions are critical please call the office to confirm all sizes before placing an order.

DS: Clamp Hosetails & Adaptors V1.8

Page No: 4

## 3011 - Clamp Hosetails – Imperial



Size	A	B	C	D	E	Part No
1/2" x 1/4"	25.4	3.35	6.40	32	10.0	3011-A013-0064
1/2" x 3/8"	25.4	6.50	9.50	32	10.0	3011-A013-0095
1/2"	25.4	9.70	12.70	32	10.0	3011-A013
3/4" x 1/4"	25.4	3.35	6.40	32	10.0	3011-A019-0064
3/4" x 3/8"	25.4	6.50	9.50	32	16.0	3011-A019-0095
3/4" x 1/2"	25.4	9.70	12.70	32	16.0	3011-A019-013
3/4"	25.4	16.00	19.00	32	16.0	3011-A019
1" x 1/2"	50.5	9.70	12.70	40	22.5	3011-A026-013
1" x 3/4"	50.5	16.00	19.00	40	22.5	3011-A026-019
1"	50.5	23.00	26.00	40	22.5	3011-A026
1 1/2" x 1/2"	50.5	9.70	12.70	40	35.0	3011-A038-013
1 1/2" x 3/4"	50.5	16.00	19.00	40	35.0	3011-A038-019
1 1/2" x 1"	50.5	23.00	26.00	40	35.0	3011-A038-026
1 1/2"	50.5	35.00	38.10	40	35.0	3011-A038
2" x 1"	64.0	23.00	26.00	60	48.0	3011-A051-026
2" x 1 1/2"	64.0	35.00	38.10	60	48.0	3011-A051-038
2"	64.0	47.00	50.80	60	48.0	3011-A051

Some items are held in stock, but most of these fittings are machined to order  
Other sizes are available on request

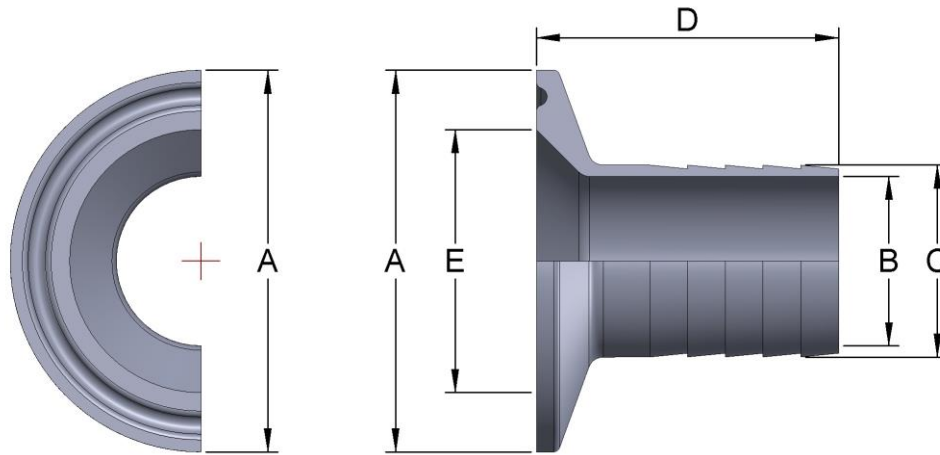
Dimensions are provided in good faith but may be subject to change; if dimensions are critical please call the office to confirm all sizes before placing an order.

DS: Clamp Hosetails & Adapters V1.8

Page No: 5



## 3012 - Clamp Hosetails – Metric



Size	A	B	C	D	E	Part No
1/2" x 6	25.4	3.5	6.0	32	10.0	<a href="#">3012-A013-006</a>
1/2" x 8	25.4	5.0	8.0	32	10.0	<a href="#">3012-A013-008</a>
1/2" x 10	25.4	7.0	10.0	32	10.0	<a href="#">3012-A013-010</a>
3/4" x 12	25.4	9.0	12.0	32	16.0	<a href="#">3012-A019-012</a>
3/4" x 14	25.4	11.0	14.0	32	16.0	<a href="#">3012-A019-014</a>
3/4" x 16	25.4	13.0	16.0	32	16.0	<a href="#">3012-A019-016</a>
3/4" x 18	25.4	15.0	18.0	32	16.0	<a href="#">3012-A019-018</a>
1" x 10	50.5	7.0	10.0	40	22.5	<a href="#">3012-A026-010</a>
1" x 12	50.5	9.0	12.0	40	22.5	<a href="#">3012-A026-012</a>
1" x 14	50.5	11.0	14.0	40	22.5	<a href="#">3012-A026-014</a>
1" x 16	50.5	13.0	16.0	40	22.5	<a href="#">3012-A026-016</a>
1" x 18	50.5	15.0	18.0	40	22.5	<a href="#">3012-A026-018</a>
1" x 20	50.5	17.0	20.0	40	22.5	<a href="#">3012-A026-020</a>
1" x 22	50.5	19.0	22.0	40	22.5	<a href="#">3012-A026-022</a>
1 1/2" x 24	50.5	21.0	24.0	40	35.0	<a href="#">3012-A038-024</a>
1 1/2" x 26	50.5	23.0	26.0	40	35.0	<a href="#">3012-A038-026</a>
1 1/2" x 28	50.5	25.0	28.0	40	35.0	<a href="#">3012-A038-028</a>

Some items are held in stock, but most of these fittings are machined to order  
Other sizes are available on request

Dimensions are provided in good faith but may be subject to change; if dimensions are critical please call the office to confirm all sizes before placing an order.

DS: Clamp Hosetails & Adapters V1.8

Page No: 6