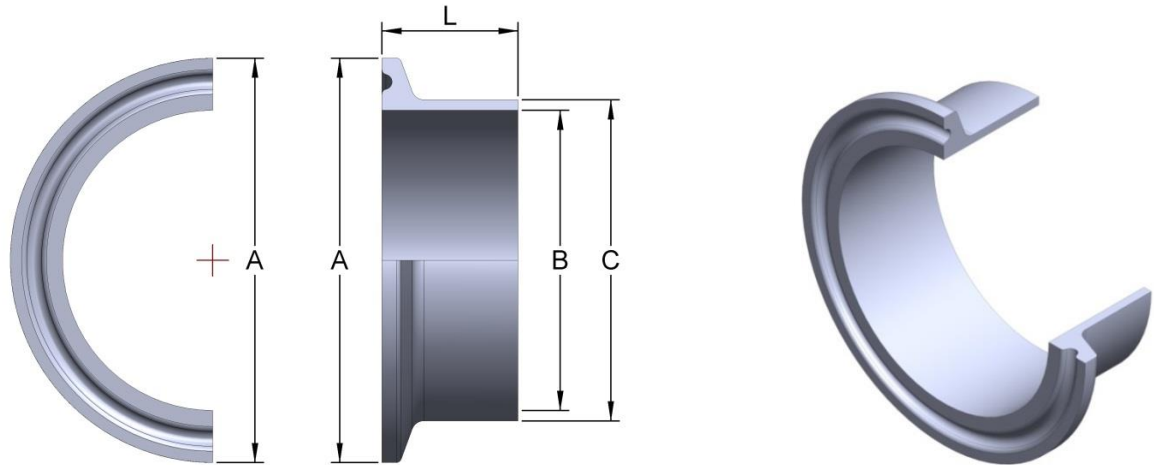


**Din 32676 - 2009 Table A & Metric Ferrules
(Compatible with tube sizes DIN 11850 & 11866)**

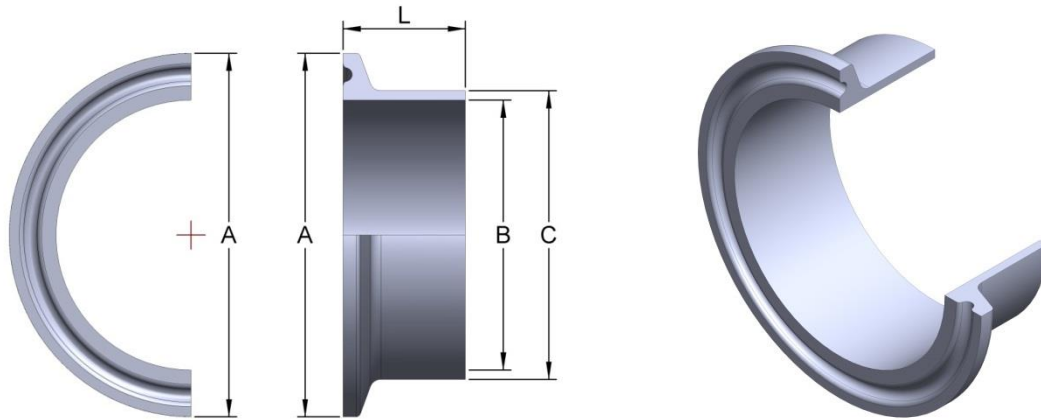


Size	A	B	C	(L1)	(L2)	(L1) Part No
6	25.0	4.0	6.0	21.5		3009-A006
8	25.0	6.0	8.0	21.5		3009-A008
10	25.0	8.0	10.0	21.5		3009-A010
12	25.0	10.0	12.0	21.5		3009-A012
14	25.0	12.0	14.0	21.5		3009-A014
16	25.0	14.0	16.0	21.5		3009-A016
18	25.0	16.0	18.0	21.5		3009-A018
DN 8	25.0	8.0	10.0	12.7	28.6	301L-A008
DN 10	34.0	10.0	13.0	18.0	28.6	301L-A010
DN 15	34.0	16.0	19.0	18.0	28.6	301L-A015
DN 20	34.0	20.0	23.0	18.0	36.0	301L-A020
DN 25	50.5	26.0	29.0	21.5	36.0	301L-A025
DN 32	50.5	32.0	35.0	21.5	36.0	301L-A032
DN 40	50.5	38.0	41.0	21.5	36.0	301L-A040
DN 50	64.0	50.0	53.0	21.5	36.0	301L-A050
DN 65	91.0	66.0	70.0	28.0	48.0	301K-A065
DN 80	106.00	81.0	85.0	28.0	48.0	301K-A080
DN 100	119.0	100.0	104.0	28.0	48.0	301K-A100
DN 125	155.0	125.0	129.0	28.0	66.0	301N-A125
DN 150	183.0	150.0	154.0	28.0	66.0	301N-A150
DN 200	233.5	200.0	204.0	28.0	66.0	301N-A200

Notes: Surface Finish 0.8 µm Ra internal and Satin finish external
Other sizes available on request
Please check all dimensions at the time of enquiry

Dimensions are provided in good faith but may be subject to change, if dimensions are critical please call the office to confirm all sizes before placing an order.

**Din 32676 - 2009 Table B
(Compatible with tube sizes ISO1127)**



Size NS	A	B	C	Groove Dia.	L1 & L2		(L1) Part No
10.2 (06)	25.0	7.0	10.2	20.2	12.7	28.6	301T-A006
13.5 (08)	25.0	10.3	13.5	20.2	12.7	28.6	301T-A008
17.2 (10)	25.0	14.0	17.2	20.2	12.7	28.6	301T-A010
21.3 (15)	50.5	18.1	21.3	43.5	21.5	36.0	301T-A015
26.9 (20)	50.5	23.7	26.9	43.5	21.5	36.0	301T-A020
33.7 (25)	50.5	29.7	33.7	43.5	21.5	36.0	301T-A025
42.4 (32)	64.0	38.4	42.4	56.5	21.5	36.0	301T-A032
48.3 (40)	64.0	44.3	48.3	56.5	21.5	36.0	301T-A040
60.3 (50)	77.5	56.3	60.3	70.5	21.5	36.0	301T-A050
76.1 (65)	91.0	72.1	76.1	83.5	21.5	48.0	301T-A065
88.9 (80)	106.0	84.9	88.9	97.0	28.0	48.0	301T-A080
114.3	130.0	110.3	114.3	122.0	28.0	48.0	301T-A100
139.7	155.0	135.7	139.7	146.0	28.0	66.0	301T-A125
168.3	183.0	163.1	168.3	174.0	28.0	66.0	301T-A150
219.1	233.5	213.9	219.1	225.0	28.0	66.0	301T-A200
273.0	286.1	267.8	273.0	-	28.0		301T-A250
323.9	338.5	318.7	323.9	-	28.0		301T-A300

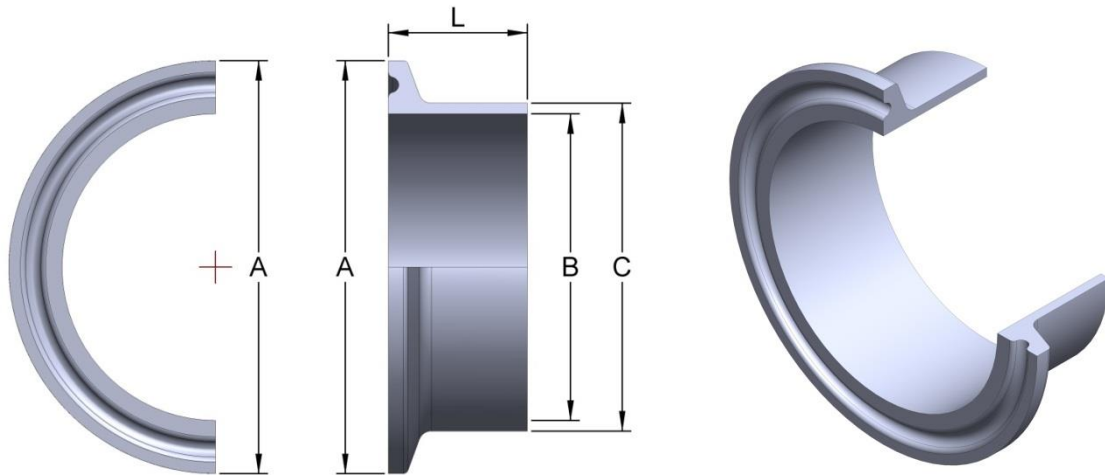
(Specials compatible with tube sizes ISO1127)

Size NS	A	B	C	Groove Dia.	L		Part No
*13.5	34.0	10.3	13.5	27.5	28.6		301T-A008-ISM
*17.2	34.0	14.0	17.2	27.5	28.6		301T-A010-ISM
*21.3	34.0	18.1	21.3	27.5	28.6		301T-A015-ISM
*42.4	50.5	38.4	42.2	43.5	36.0		301T-A032-IS1

Notes: Surface Finish 0.8 µm Ra internal and Satin finish external
Other sizes available on request
Please check all dimensions at the time of enquiry
Not included in the standard but are also available

Dimensions are provided in good faith but may be subject to change, if dimensions are critical please call the office to confirm all sizes before placing an order.

DIN 32676 - 2009 Table C
(Compatible with ASME BPE & BS4825 Part 1 tube sizes)
See the ASME BPE Section for the full range of lengths available



Size	A	B	C	Groove Dia.	L1 & L2		(L1) Part No
					L1	L2	
1/4"	25.0	4.57	6.35	20.2	12.7	28.6	316K-A0064
3/8"	25.0	7.75	9.53	20.2	12.7	28.6	316K-A0095
1/2"	25.0	9.40	12.70	20.0	12.7	28.6	316K-A013
3/4"	25.0	15.75	19.05	20.2	12.7	28.6	316K-A019
1"	50.5	22.10	25.40	43.5	21.5	36.0**	3002-A026
1 1/2"	50.5	34.80	38.10	43.5	21.5	36.0**	3002-A038
2"	64.0	47.50	50.80	56.5	21.5	36.0**	3002-A051
2 1/2"	77.5	60.20	63.50	70.5	28.0	36.0**	3003-A064
3"	91.0	72.90	76.20	83.5	28.0	48.0**	3003-A076
4"	119.0	97.38	101.60	110.0	28.0	48.0**	3003-A102
6"	167.0	146.86	152.40	156.5	28.0	66.0**	3003-A152

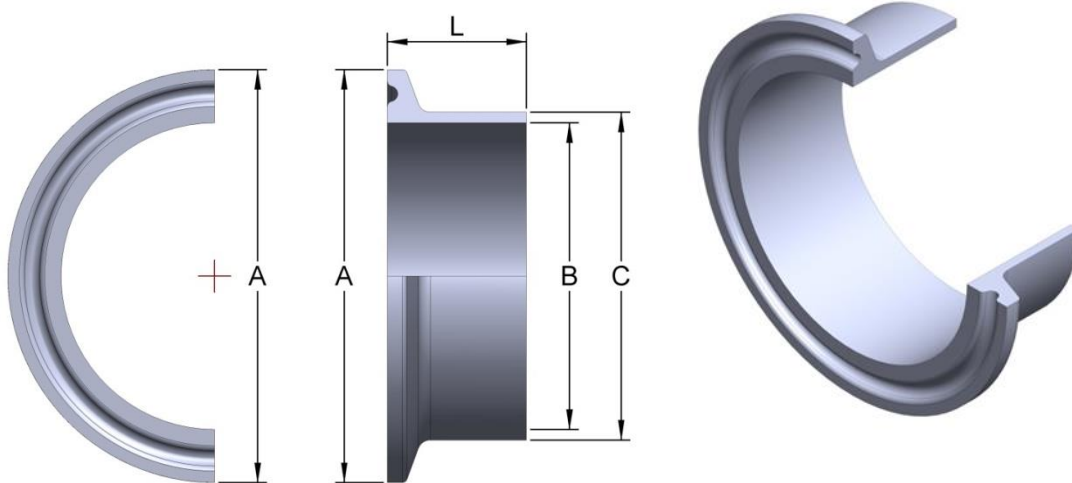
Notes: Surface Finish 0.8 µm Ra internal and Satin finish external
Other sizes available on request

Please check all dimensions at the time of enquiry

**** Special lengths which are usually exchanged for the ASME BPE Dimensions****

Dimensions are provided in good faith but may be subject to change, if dimensions are critical please call the office to confirm all sizes before placing an order.

**ASME BPE Clamp Ferrules
Automatic Weld - DT-22
DT-4.1.4-1 (BPE 2014)**



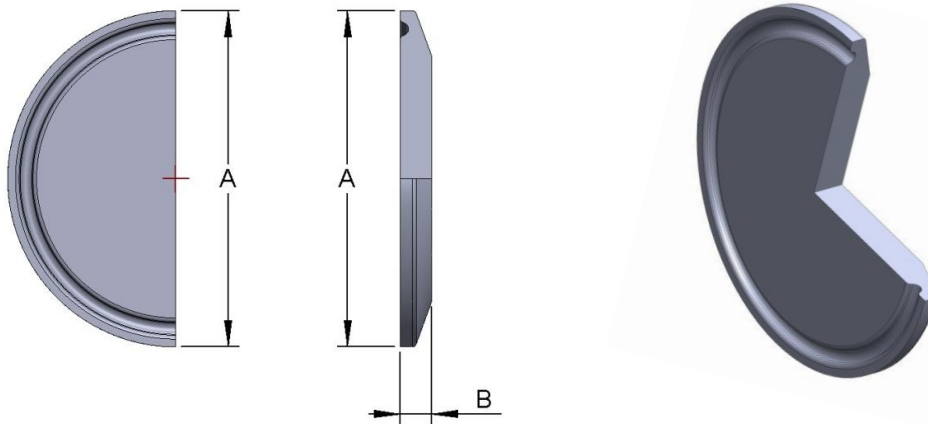
Nominal Size (inches)	A (mm)	B (mm)	C (mm)	L1	L2	L3	Part No L1	Part No L2	Part No L3
¼"	25.0	4.57	6.35	44.50	28.70	12.70	316K-A0064	316L-A0064	316M-A0064
⅜"	25.0	7.74	9.52	44.50	28.70	12.70	316K-A0095	316L-A0095	316M-A0095
½"	25.0	9.40	12.70	44.50	28.70	12.70	316K-A013	316L-A013	316M-A013
¾"	25.0	15.75	19.05	44.50	28.70	12.70	316K-A019	316L-A019	316M-A019
1"	50.5	22.10	25.40	44.50	28.70	12.70	316K-A026	316L-A026	316M-A026
1.½"	50.5	34.80	38.10	44.50	28.70	12.70	316K-A038	316L-A038	316M-A038
2"	64.0	47.50	50.80	57.20	28.70	12.70	316K-A051	316L-A051	316M-A051
2.½"	77.5	60.20	63.50	57.20	28.70	12.70	316K-A064	316L-A064	316M-A064
3"	91.0	72.90	76.20	57.20	28.70	12.70	316K-A076	316L-A076	316M-A076
4"	119.0	97.38	101.60	57.20	28.70	15.90	316K-A102	316L-A102	316M-A102
6"	167.0	146.86	152.40	76.20	38.10	19.05	316K-A152	316L-A152	316M-A152

Dimensions are provided in good faith but may be subject to change, if dimensions are critical please call the office to confirm all sizes before placing an order.

[Clamp Ferrules DIN32676V 1.0](#)

Page No: 4

Clamp Blanks (All Sizes)



Size	A	B (Standard)	B (Pharma)			Part No Standard	Part No Pharma
1/4"	25	4.8	7.0			3013-A013-D	3013-A013
3/8"	25	4.8	7.0			3013-A013-D	3013-A013
1/2"	25	4.8	7.0			3013-A013-D	3013-A013
3/4"	25	4.8	7.0			3013-A013-D	3013-A013
DN10	34	6.0	7.0			3013-A010-D	3013-A010
DN15	34	6.0	7.0			3013-A010-D	3013-A010
DN20	34	6.0	7.0			3013-A010-D	3013-A010
1"	50.50	7.0	7.0			3013-A026-D	3013-A026
1 1/2"	50.50	7.0	7.0			3013-A026-D	3013-A026
2"	64	7.0	7.0			3013-A051-D	3013-A051
2 1/2"	77.50	7.0	7.0			3013-A064-D	3013-A064
3"	91	7.0	7.0			3013-A076-D	3013-A076
3.1/2"	106	7.0	7.0			3013-A089-D	3013-A089
4"	119	9.0	8.0			3013-A102-D	3013-A102
4 1/2"	130	9.0	8.0			3013-A114-D	3013-A114
5"	144	10.0	8.0			3013-A129-D	3013-A129
5 1/2"	155	10.0	8.0			3013-A141-D	3013-A141
6"	167	10.0	10.0			3013-A154-D	3013-A154
6 5/8"	183	10.0	14.0			3013-A168-D	3013-A168
8"	217	10.0	10.0			3013-A204-D	3013-A204
8 5/8"	233	10.0	14.0			3013-A219-D	3013-A219
10"	268	10.0	10.0			3013-A254-D	3013-A254
10 5/8"	286	10.0	10.0			3013-A273-D	3013-A273
12	319	10.0	10.0			3013-A304-D	3013-A304
12 5/8"	338	10.0	10.0			3013-A324-D	3013-A324

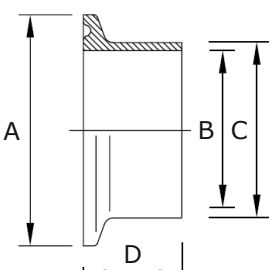
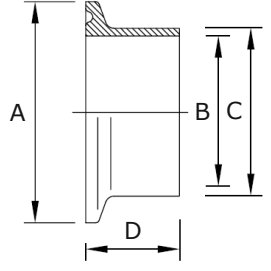
Notes: Surface Finish 0.8 µM Ra internal and Satin finish external
Other sizes available on request
Double check all dimensions at the time of enquiry

Dimensions are provided in good faith but may be subject to change, if dimensions are critical please call the office to confirm all sizes before placing an order.

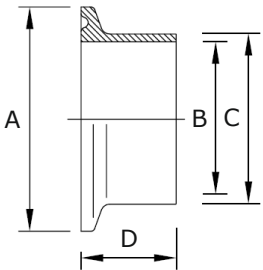
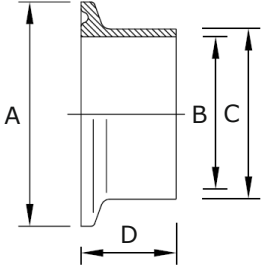
[Clamp Ferrules DIN32676V 1.0](#)

Page No: 5

Clamp Ferrules – DIN 32676 – 2001 (Old dimensions) to suit DIN 11850/11866 Tube

DIN 32676-2001 Clamp Ferrule - Series 1	Size	A	B	C	D	Part No
	DN10	34.0	10.0	12.0	18.0	301K-A010
	DN15	34.0	16.0	18.0	18.0	301K-A015
	DN20	34.0	20.0	22.0	18.0	301K-A020
	DN25	50.5	26.0	28.0	21.5	301K-A025
	DN32	50.5	32.0	34.0	21.5	301K-A032
	DN40	50.5	38.0	40.0	21.5	301K-A040
	DN50	64.0	50.0	52.0	21.5	301K-A050
	DN65	91.0	66.0	70.0	28.0	301K-A065
	DN80	106.0	81.0	85.0	28.0	301K-A080
	DN100	119.0	100.0	104.0	28.0	301K-A100
Series 1 Ferrules are manufactured to order						
DIN 32676-2001 Clamp Ferrule - Series 2	Size	A	B	C	D	Part No
	DN10	34.0	10.0	13.0	18.0	301L-A010
	DN15	34.0	16.0	19.0	18.0	301L-A015
	DN20	34.0	20.0	23.0	18.0	301L-A020
	DN25	50.5	26.0	29.0	21.5	301L-A025
	DN32	50.5	32.0	35.0	21.5	301L-A032
	DN40	50.5	38.0	41.0	21.5	301L-A040
	DN50	64.0	50.0	53.0	21.5	301L-A050
Series 2 Ferrules are usually available from stock						
DIN 32676-2001 Clamp Ferrule - Series 3	Size	A	B	C	D	Part No
	DN10	34.0	10.0	14.0	18.0	301M-A010
	DN15	34.0	16.0	20.0	18.0	301M-A015
	DN20	34.0	20.0	24.0	18.0	301M-A020
	DN25	50.5	26.0	30.0	21.5	301M-A025
	DN32	50.5	32.0	36.0	21.5	301M-A032
	DN40	50.5	38.0	42.0	21.5	301M-A040
	DN50	64.0	50.0	54.0	21.5	301M-A050
Series 3 Ferrules are manufactured to order						

Dimensions are provided in good faith but may be subject to change, if dimensions are critical please call the office to confirm all sizes before placing an order.

(Old dimensions) to suit DIN 11850/11866 Tube							
<p>Non Standard DIN Clamp Ferrule - 316L SS</p> 	Size	A	B	C	D	Part No	
	DN125	144.0	125.0	129.0	28.0	3003-A129	
	DN125	155.0	125.0	129.0	28.0	301N-A125	
	DN150	167.0	150.0	154.0	28.0	3003-A154	
	DN150	183.0	150.0	154.0	28.0	301N-A150	
	DN200	217.0	200.0	204.0	28.0	3003-A204	
	DN200	233.0	200.0	204.0	28.0	301N-A200	
	DN250	268.0	250.0	254.0	28.0	3003-A254	
	DN300	319.0	300.0	304.0	28.0	3003-A304	
	This range of ferrules are the standard large bore ferrules and are usually available from stock						
Clamp Ferrules – to suit ISO1127 Pipe (Old dimensions)							
<p>Non Standard Clamp Ferrule - 316L SS to suit ISO1127 Pipe</p> 	Size	A	B	C	D	Part No	
	08	25.0	10.3	13.5	21.5	301T-A008	
	10	25.0	14.0	17.2	21.5	301T-A010	
	15	50.5	18.1	21.3	21.5	301T-A015	
	20	50.5	23.7	26.9	21.5	301T-A020	
	25	50.5	29.7	33.7	21.5	301T-A025	
	32	64.0	38.4	42.4	21.5	301T-A032	
	40	64.0	44.3	48.3	21.5	301T-A040	
	50	77.5	56.3	60.3	21.5	301T-A050	
	65	91.0	72.1	76.1	21.5	301T-A065	
	80	106.0	84.9	88.9	21.5	301T-A080	
	100	130.0	110.3	114.3	28.0	301T-A100	
	125	155.0	135.7	139.7	28.0	301T-A125	
	150	183.0	163.1	168.3	28.0	301T-A150	
	200	233.5	213.9	219.1	28.0	301T-A200	
	250	287.0	267.8	273.0	28.0	301T-A250	
	300	338.0	318.7	323.9	28.0	301T-A300	
	This range of ferrules are the standard large bore ferrules and are usually available from stock						

Dimensions are provided in good faith but may be subject to change, if dimensions are critical please call the office to confirm all sizes before placing an order.