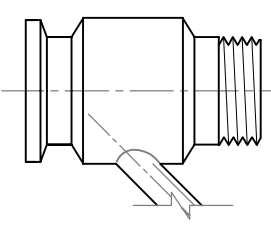


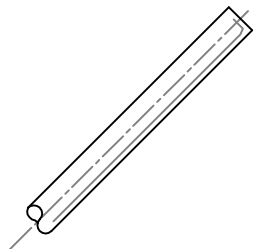
## 309V Aseptic Sample Valve - Mini Series Showing Available Configuration

**Body Valve Connector**  
 Ferrule 1/2"-1"-2" BS



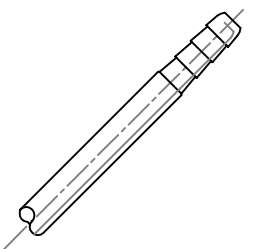
If req'd

**SIP Port (optional)**  
 Butt Weld dia 6mm



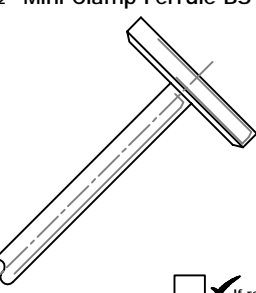
If req'd

**SIP Port (optional)**  
 Rubber Hose dia 6mm



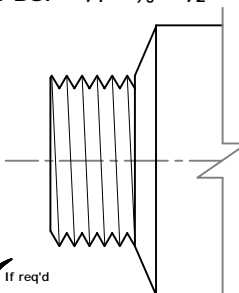
If req'd

**SIP Port (optional)**  
 1/2" Mini Clamp Ferrule BS



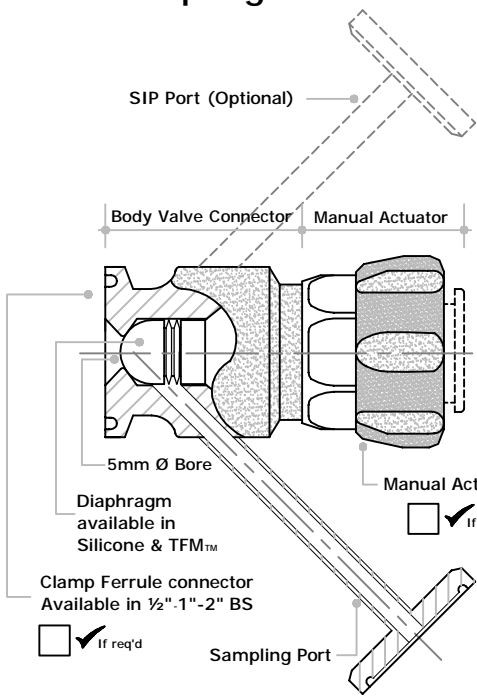
If req'd

**Body Valve Connector**  
 Male BSP 1/4" - 3/8" - 1/2"



If req'd

**309V Sampling Valve**



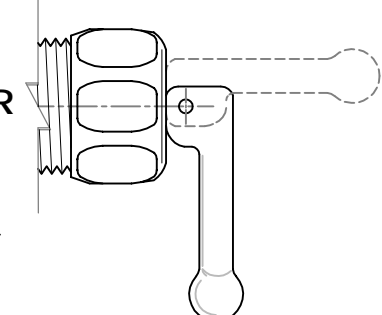
**Manual ON/OFF Lever**   If req'd

Other models available

Automatic Spring Return   If req'd

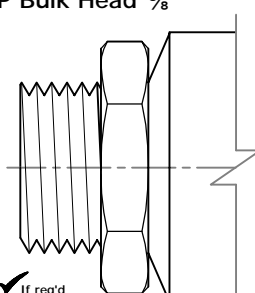
Removable Lever   If req'd

**OR**



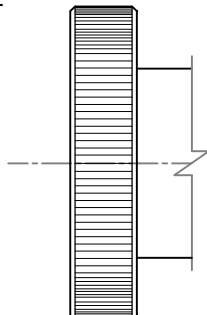
Also available  
 Pneumatic Actuator with optional Proximity Switches   If req'd

**Body Valve Connector**  
 BSP Bulk Head 3/8"



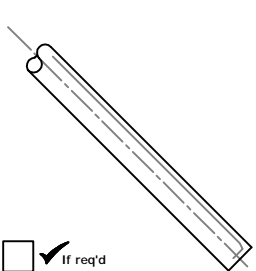
If req'd

**Ingold Process Connector**



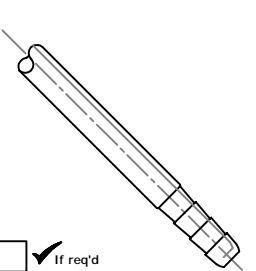
If req'd

**Sample Port**  
 Butt Weld dia 6mm



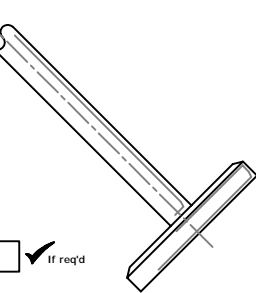
If req'd

**Sample Port**  
 Rubber Hose dia 6mm



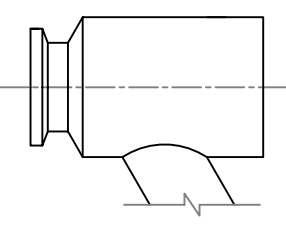
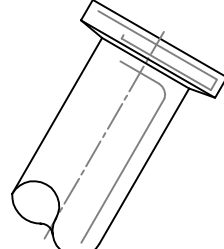
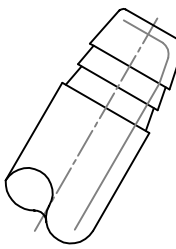
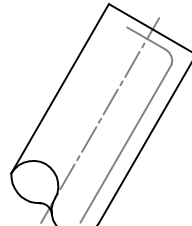
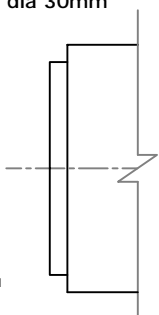
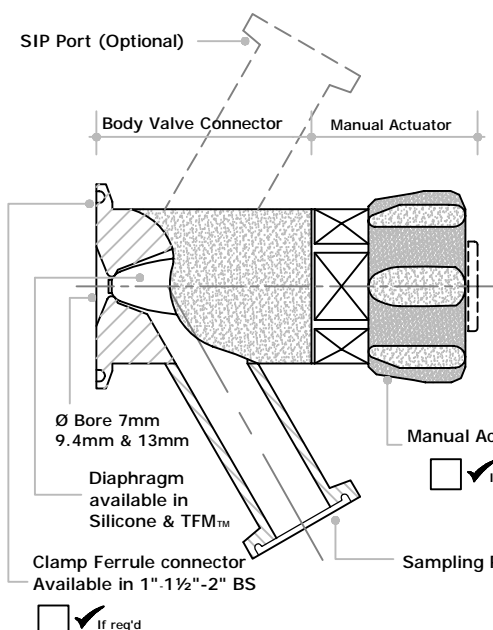
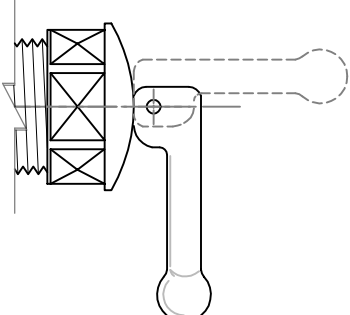
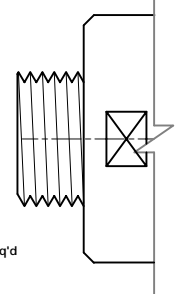

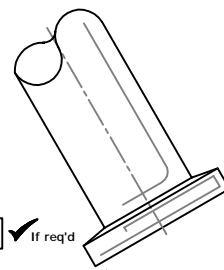
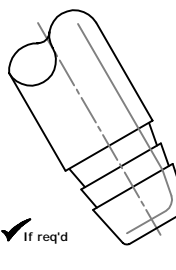
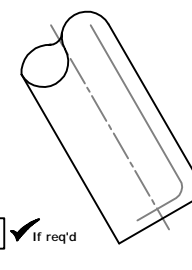
If req'd

**Sample Port**  
 1/2" Mini Clamp Ferrule BS



If req'd

## 309W Aseptic Sample Valve - Standard Series Showing Available Configuration

<p><b>Body Valve Connector</b>                  Ferrule ½"-1"- 2" BS</p>  <p><input type="checkbox"/> <input checked="" type="checkbox"/> If req'd</p>	<p><b>SIP Port (optional)</b>                  ½" Mini Clamp Ferrule BS</p>  <p><input type="checkbox"/> <input checked="" type="checkbox"/> If req'd</p>	<p><b>SIP Port (optional)</b>                  Rubber Hose dia 10 - 12.7mm</p>  <p><input type="checkbox"/> <input checked="" type="checkbox"/> If req'd</p>	<p><b>SIP Port (optional)</b>                  Butt Weld dia 10 - 12.7mm</p>  <p><input type="checkbox"/> <input checked="" type="checkbox"/> If req'd</p>
<p><b>Body Valve Connector</b>                  Butt Weld dia 30mm</p>  <p><input type="checkbox"/> <input checked="" type="checkbox"/> If req'd</p>	<p style="text-align: center;"><b>309W Sampling Valve</b></p> <p style="text-align: center;">TFM™ 1600 PTFE Diaphragm only suitable for use with 9.4 &amp; 13mm Ø Bore Valve Connectors</p>  <p>Other models available <input type="checkbox"/> <input checked="" type="checkbox"/> If req'd</p> <p>Automatic Spring Return <input type="checkbox"/> <input checked="" type="checkbox"/> If req'd</p> <p>Removable Lever <input type="checkbox"/> <input checked="" type="checkbox"/> If req'd</p> <p>Also available                  Pneumatic Actuator with optional Proximity Switches <input type="checkbox"/> <input checked="" type="checkbox"/> If req'd</p>		<p><b>Manual ON/OFF Lever</b> <input type="checkbox"/> <input checked="" type="checkbox"/> If req'd</p> 
<p><b>Body Valve Connector</b>                  Male BSP ¼"- ⅜"- ½"- ¾"</p>  <p><input type="checkbox"/> <input checked="" type="checkbox"/> If req'd</p>	<p>Ø Bore 7mm                  9.4mm &amp; 13mm</p> <p>Diaphragm available in Silicone &amp; TFM™</p> <p>Clamp Ferrule connector Available in 1"-1½"-2" BS <input type="checkbox"/> <input checked="" type="checkbox"/> If req'd</p>		<p><b>Manual Actuator</b> <input type="checkbox"/> <input checked="" type="checkbox"/> If req'd</p> <p><b>Sampling Port</b></p>
<p><b>Body Valve Connector</b>                  DN10-15-20 Flanged</p>  <p><input type="checkbox"/> <input checked="" type="checkbox"/> If req'd</p>	<p><b>Sample Port</b>                  ½" Mini Clamp Ferrule BS</p>  <p><input type="checkbox"/> <input checked="" type="checkbox"/> If req'd</p>	<p><b>Sample Port</b>                  Rubber Hose dia 10 - 12.7mm</p>  <p><input type="checkbox"/> <input checked="" type="checkbox"/> If req'd</p>	<p><b>Sample Port</b>                  Butt Weld dia 10 - 12.7mm</p>  <p><input type="checkbox"/> <input checked="" type="checkbox"/> If req'd</p>