

AA Connect – Aseptic Tank Nozzles

The AA “Aseptic Connect” range of tank nozzles was developed to allow a flexible connection method for a series of process accessories including; sight glasses; clamp fittings; instruments & sensors; valves and sprayballs to be installed and removed quickly from the tank wall.

The nozzle is welded into the vessel and should to be installed flush with the tank wall in a procedure documented in the ASME BPE standard.

The system’s flexibility has seen its potential applications increase to include Jacketed Vessels, Angled Vessel Housings, Large Clamp Blanks for vessel lids and finally the Aseptic In-Line Housings

Originally the diametric drillings in the pad flange were used to drain off samples of the product but this method is no longer recommended although the drillings have remained part of the product.

Aseptic sample valves are advised for taking any process samples.

Materials:

Pad flange	ASTM A479 / A182 AISI 316L/1.4404 SS
Lock rings	ASTM A479 / A182 AISI 316L/1.4404 SS
Fasteners	ASTM A193 B8 AISI 304 / 1.4301 SS
Cap Nuts	ASTM A194 8 AISI 304 / 1.4301 SS

A wide range of non-standard materials is also available for the pad flange including:

- AISI 316Ti Wn 1.4571
- AISI 316L (BN-2) Wn 1.4435
- 6Mo materials & AL6-XN, 904L & 254 SMO
- Duplex alloys including SAF2507 UNS 32750 / UNS32760
- Alloy C22 and C276
- Nickel Alloys such as Alloy 400
- Titanium

Tube sizes:

½” – 10” ASME BPE-2018
DIN32676 Table A, B & C
SMS 3008 & SMS 3017 / ISO 2852
ISO 1127 / DIN32676-B Pipe Size
BS 6362 Schedule Pipe Size
ASTM A312 Schedule Pipe

Performance:

Pressure -1.00 Bar to 7 Bar g
Temperature -80°C to 200°C

Standards:

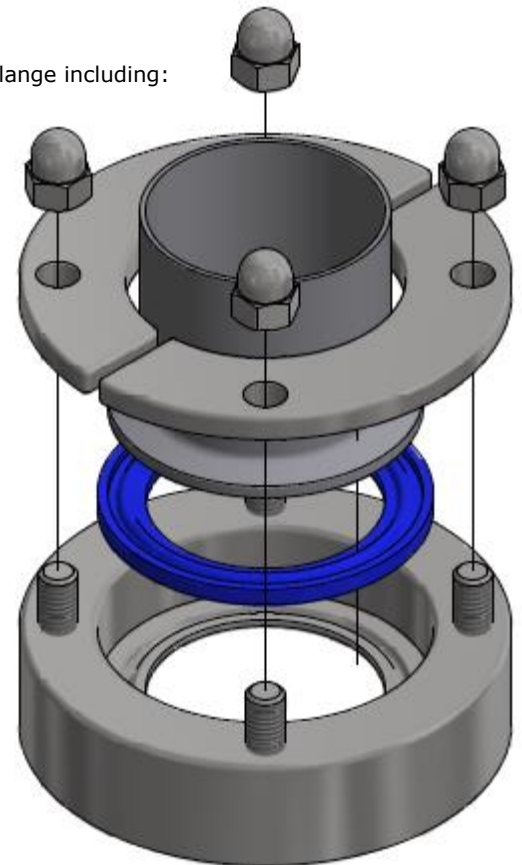
PED 97/23/CE directive and ASME V111 Div. 2
ASME BPE / BS 4825 Part 3 / ISO 2037
DIN 32676 table A, B and C
SMS 3008 / SMS 3017

Surface Finish:

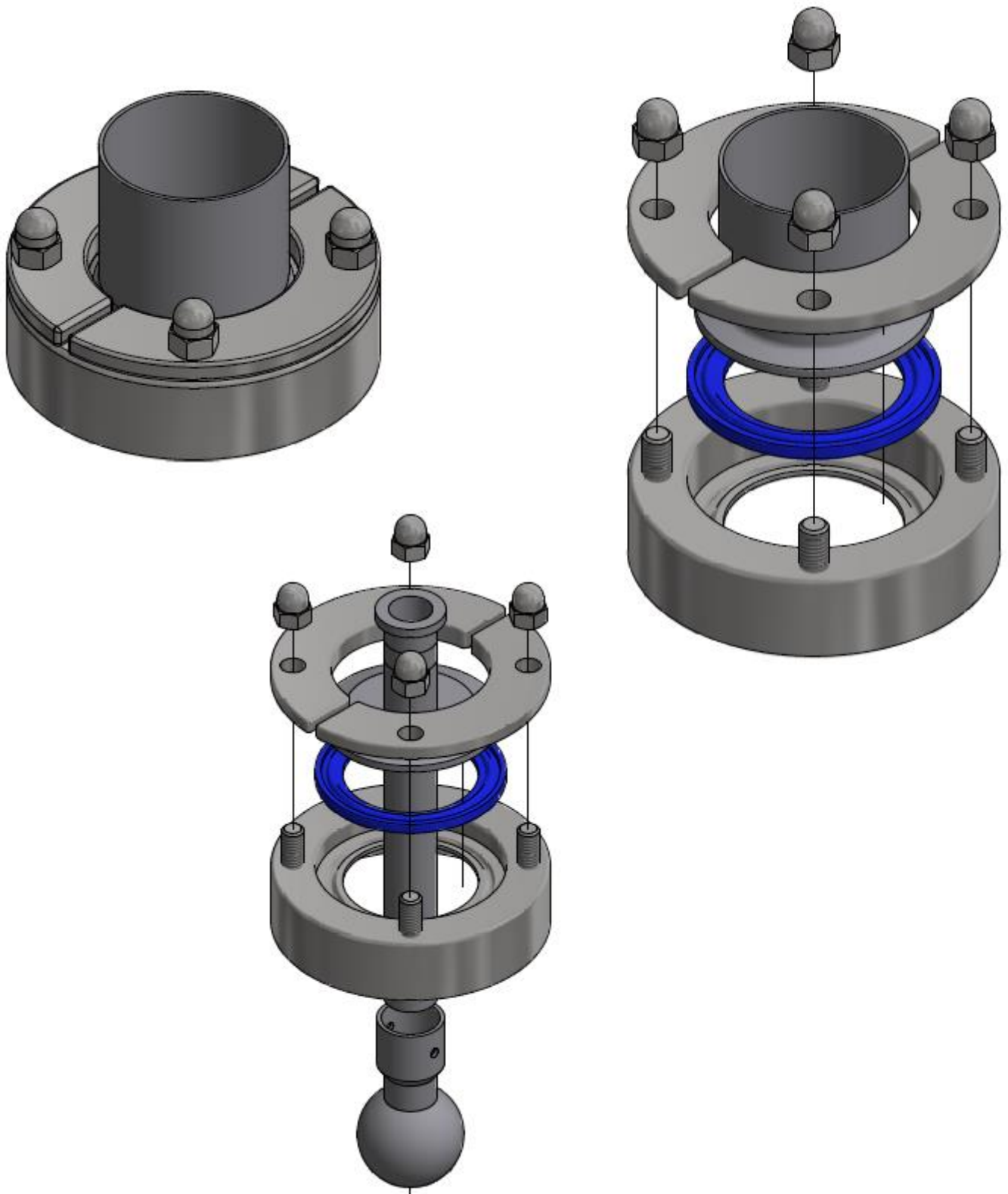
The standard internal surface finish for clamp ferrules is 0.8 - 1.0µM Ra, with enhanced finishes of 0.51 µM Ra or better available on request. Electro-polishing is also available to order.

Certification and marking:

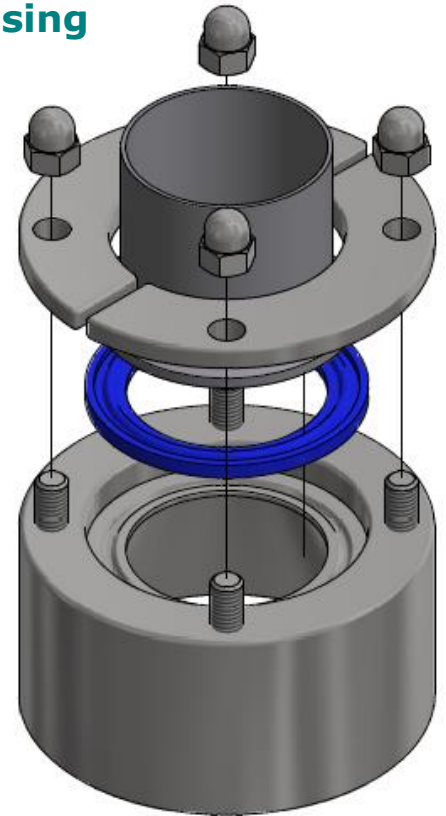
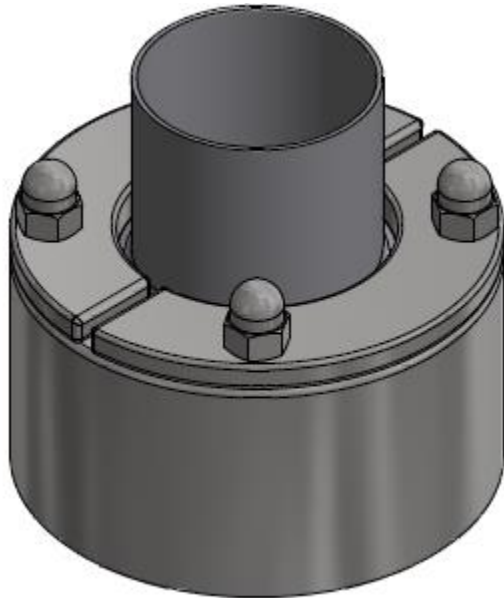
Material traceability is available to EN 10204 3.1 for the pad flange and Half Moon Lock Ring Segments. The heat number is marked on each pad flange.



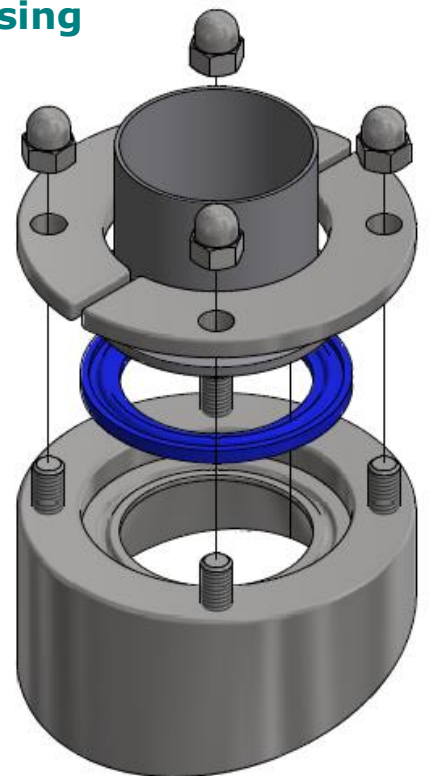
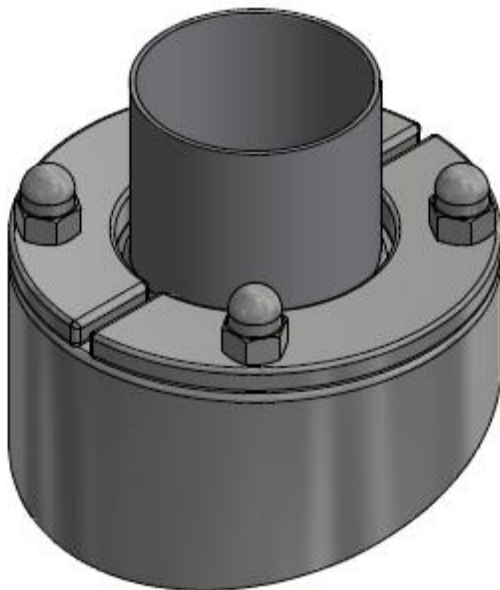
317N - AA Connect – Aseptic Tank Nozzle



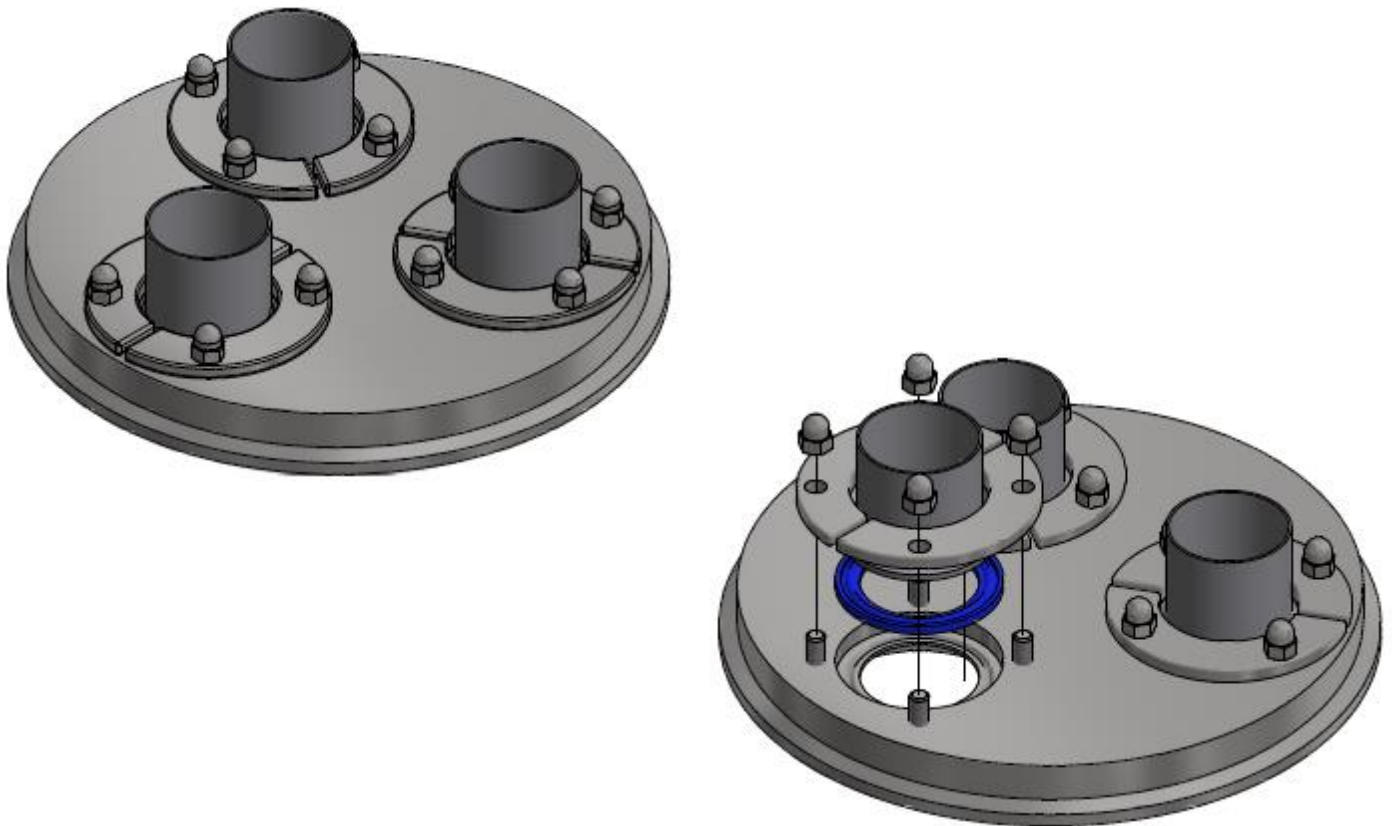
317B - AA Connect – Aseptic Block Housing



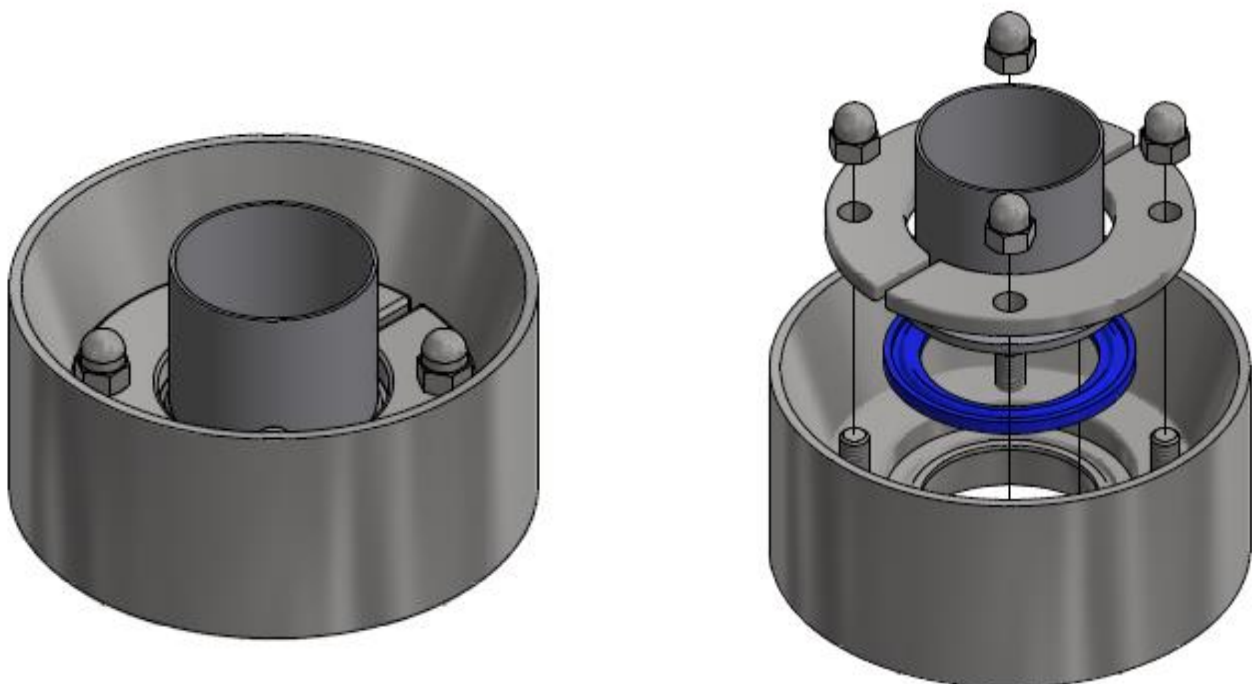
317D - AA Connect – Angled Block Housing



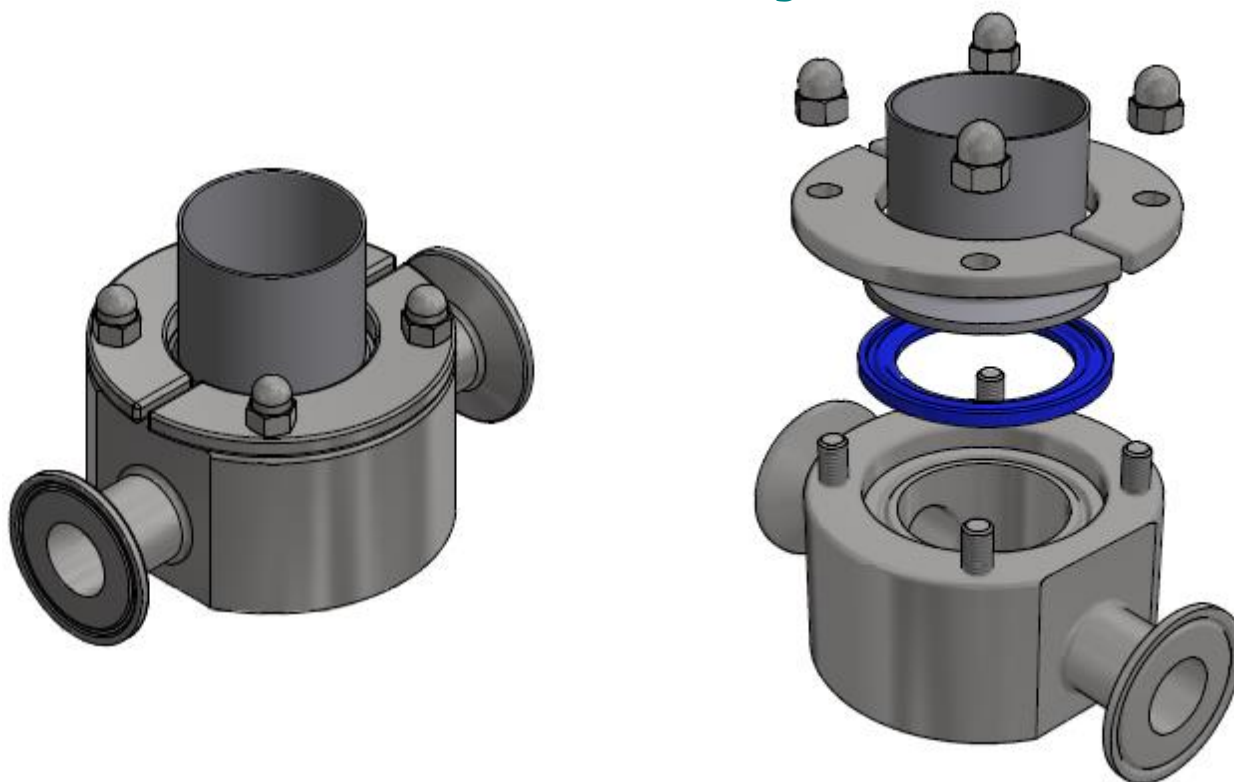
317C - AA Connect – Aseptic Clamp Blank Cap



317J - AA Connect – Sunken Pocket Jacket Housing



317E - AA Connect – In-Line Housing



317F - AA Connect – In-Line L Type Angle Housing – 2 Way

317G - AA Connect - In-Line T Type Angle Housing – 3 Way

The In-Line Housings are used to locate products such as Sight Glasses in pipework systems. This allows the flexibility of replacing the Sightglass with a Sample Valve or Diaphragm Valve. The housing eliminates dead legs and air pockets and is a quick and efficient way to replace plant.

317S - AA Connect – Sight Glass Assembly

The system uses a clamp blank with an integral sight glass

Related Products

- **Sight Glasses**
- **Sample Valves**
- **Sprayballs**
- **Clamp Ferrules and Blanks**
- **Instruments and Sensors**
- **Sprayballs**
- **Agitators**

NB: Please check with the technical department all dimensions at the time of enquiry.