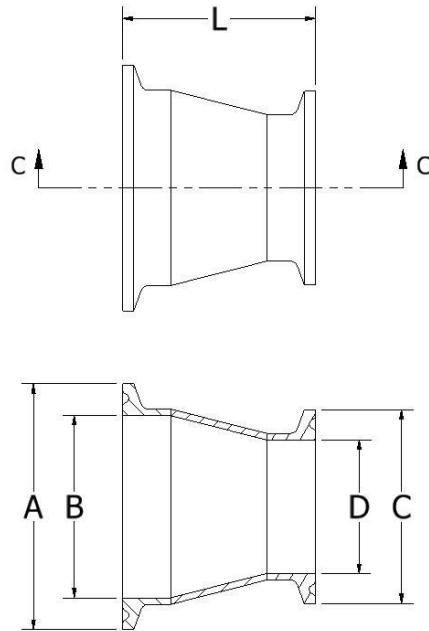


3052 - Clamp Reducers Machined (Compatible with BS4825 and ASME tubes)



SECTION C-C

Size	A	B	C	D	L	Mass (Kg)	Part No
3/4" X 1/2"	25.4	15.9	25.4	9.5	40	0.07	3052-A019-013
1" x 1/2"	50.5	22.2	25.4	9.5	50	0.12	3052-A026-013
1" x 3/4"	50.5	22.2	25.4	15.8	50	0.11	3052-A026-019
1 1/2" x 1/2"	50.5	34.9	25.4	9.5	50	0.18	3052-A038-013
1 1/2" x 3/4"	50.5	34.9	25.4	15.8	50	0.09	3052-A038-019
1 1/2" x 1"	50.5	34.9	50.5	22.2	50	0.15	3052-A038-026
2" x 1/2"	64.0	47.6	25.4	9.5	50	0.20	3052-A051-013
2" x 3/4"	64.0	47.6	25.4	15.8	50	0.20	3052-A051-019
2" x 1"	64.0	47.6	50.5	22.2	50	0.20	3052-A051-026
2" x 1 1/2"	64.0	47.6	50.5	34.9	50	0.18	3052-A051-038
2 1/2" x 1/2"	77.5	60.3	25.4	9.5	60	0.25	3052-A064-013
2 1/2" x 3/4"	77.5	60.3	25.4	15.8	60	0.25	3052-A064-019
2 1/2" x 1"	77.5	60.3	50.5	22.2	60	0.27	3052-A064-026
2 1/2" x 1 1/2"	77.5	60.3	50.5	34.9	60	0.25	3052-A064-038
2 1/2" x 2"	77.5	60.3	64.0	47.6	60	0.23	3052-A064-051
3" x 1/2"	91.0	73.0	25.4	9.5	60	0.29	3052-A076-013
3" x 3/4"	91.0	73.0	25.4	15.8	60	0.29	3052-A076-019
3" x 1"	91.0	73.0	50.5	22.2	60	0.31	3052-A076-026
3" x 1 1/2"	91.0	73.0	50.5	34.8	60	0.29	3052-A076-038
3" x 2"	91.0	73.0	64.0	47.6	60	0.29	3052-A076-051
3" x 2 1/2"	91.0	73.0	77.5	60.3	60	0.29	3052-A076-064