

## 215A – Orbital Automatic Weld Ball Valve

Alchem Process Ltd offer a range of full bore hygienic ball valves for use with ASME BPE and DIN11866 metric tubes in Tables A, B and C for use in the Food, Pharmaceutical and Bio-Chemical industries. Produced with extended butt weld ends to accommodate orbital automatic welding machines, the valves are offered with 0.4  $\mu\text{M}$  Ra internal surface finish and are able to be fully actuated using the ISO5211 Direct Mounting plate.

The 3 piece design allows for servicing in situ as the main body to be rotated in the line to give access to valve seats and seals. This valve design also uses all PTFE seals and seats to protect the dry seals from aromatic chemicals.

**The valves are available in full bore 3 piece designs and in 2 and 3 way configurations.** Hygienic connections including T-Clamp, RJT and plain weld ends are available from stock with specials on a made to order basis.

### Size range:

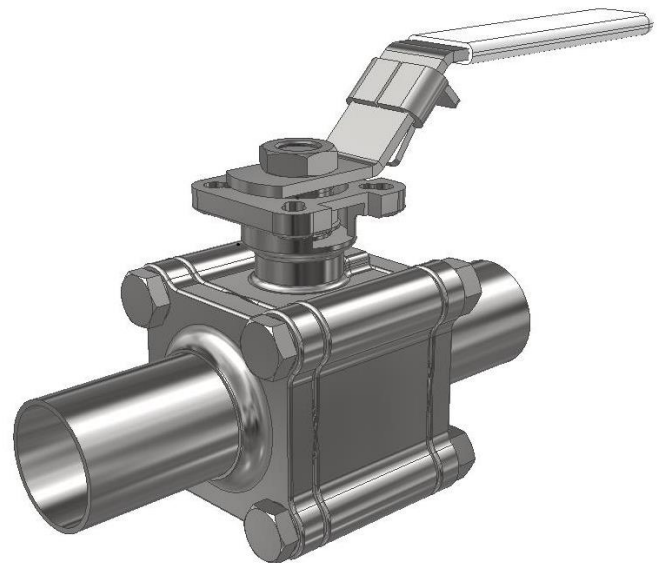
The valves are offered in sizes from 1/2" to 2" in imperial (Inch) increments and offered as with PN63 1000 PSI WOG pressure ratings.

### Temperature range:

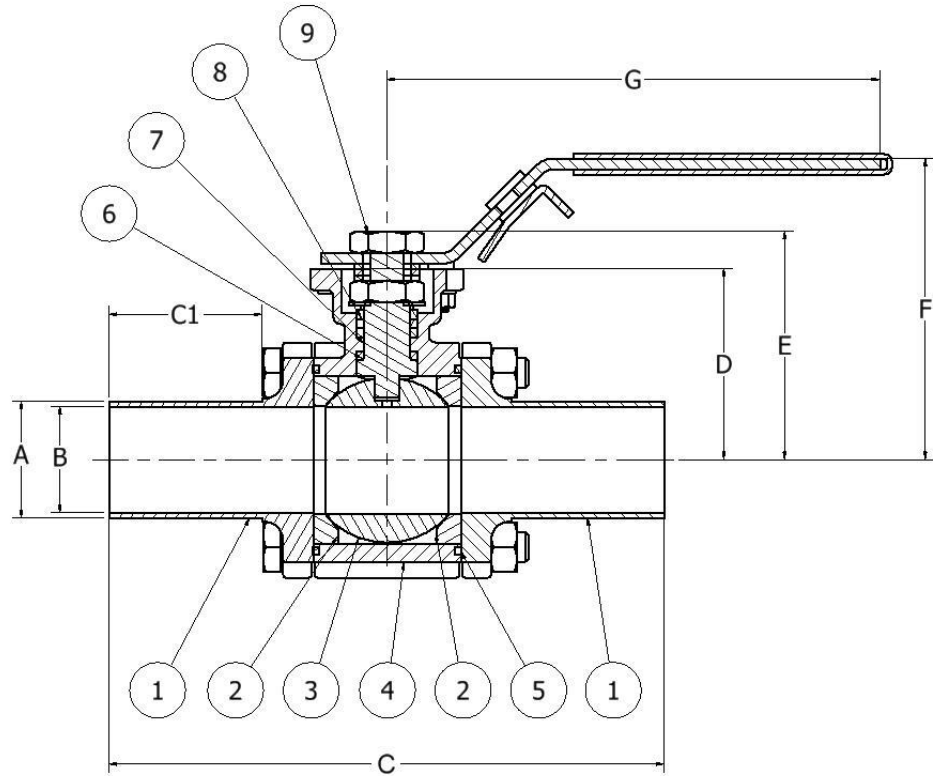
**Suitable for working temperatures of 0°C to 200°C**

### Construction:

The end plates and main bodies are manufactured from CF3M which is the equivalent cast material to AISI 316L SS. The plates are extended to facilitate Orbital Automatic Welding (AOW) and all the wetted parts have an internal surface finish of 0.4  $\mu\text{M}$  Ra or better to comply with requirements of the target industries.



## 215A Orbital Automatic Weld Ball Valve



| Size:  | A    | B     | C     | C1 | D     | E     | F   | Part No:  |
|--------|------|-------|-------|----|-------|-------|-----|-----------|
| 1/2"   | 12.7 | 9.4   | 134.5 | -  | 42.6  | 50.2  | 77  | 215A-A013 |
| 3/4"   | 19.0 | 15.75 | 140.9 | -  | 42.6  | 50.2  | 77  | 215A-A019 |
| 1"     | 25.4 | 22.2  | 161.5 | -  | 46.85 | 55.5  | 82  | 215A-A026 |
| 1.1/2" | 38.1 | 34.9  | 182.2 | -  | 62.6  | 73.0  | 102 | 215A-A038 |
| 2"     | 50.8 | 47.5  | 191.7 | -  | 84.7  | 99.25 | 134 | 215A-A051 |

- |    |                |   |                |
|----|----------------|---|----------------|
| 1. | End Plates     | - | CF3M - 316L SS |
| 2. | Valve Seats    | - | TFM 1600       |
| 3. | Ball           | - | Ball 316L SS   |
| 4. | Main Body      | - | CF3M - 316L SS |
| 5. | Body Seal      | - | PTFE           |
| 6. | Stem           | - | 316L           |
| 7. | Gland          | - | 304SS          |
| 8. | Stem Packing   | - | RTFE           |
| 9. | Nut and Handle | - | 304SS          |