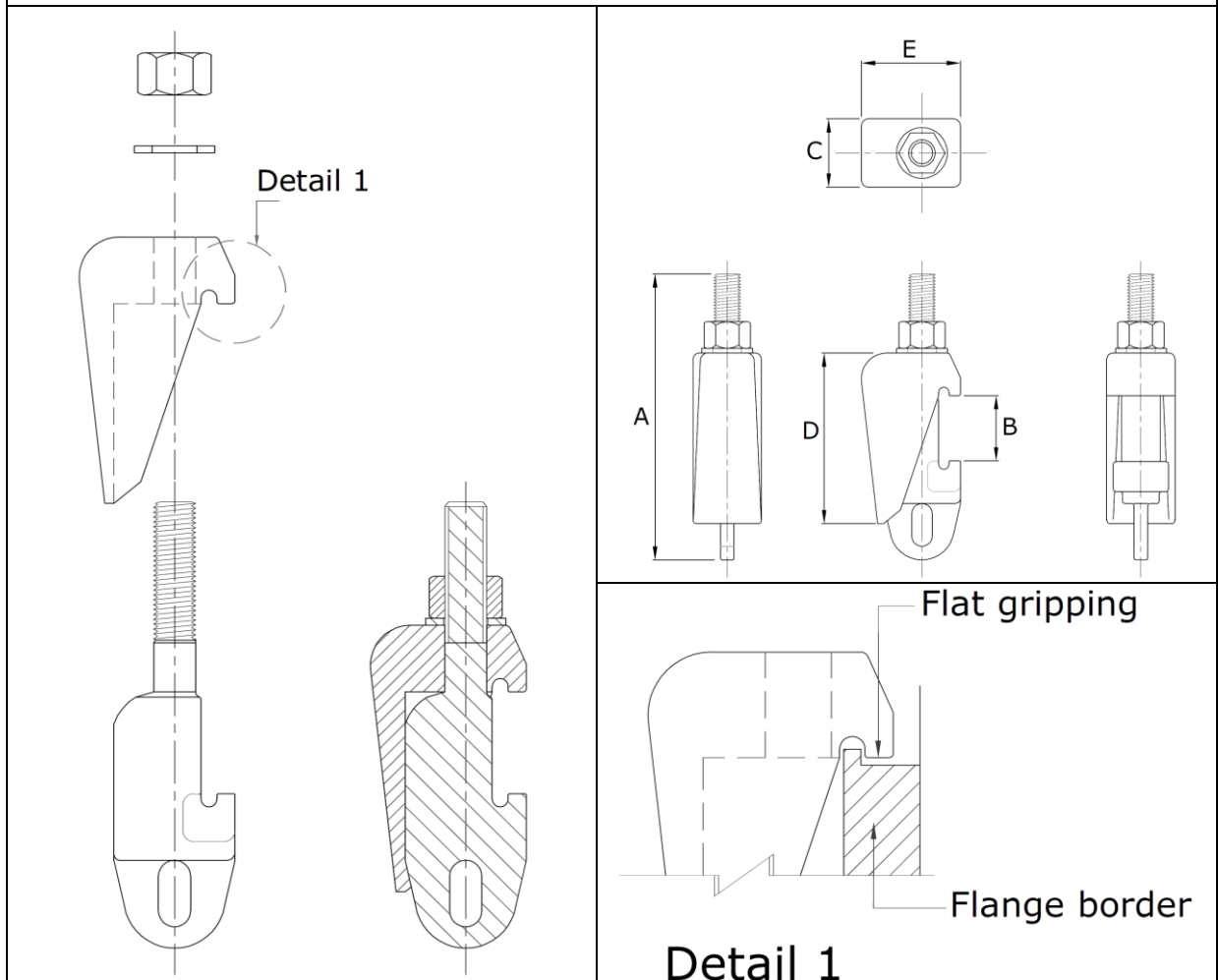


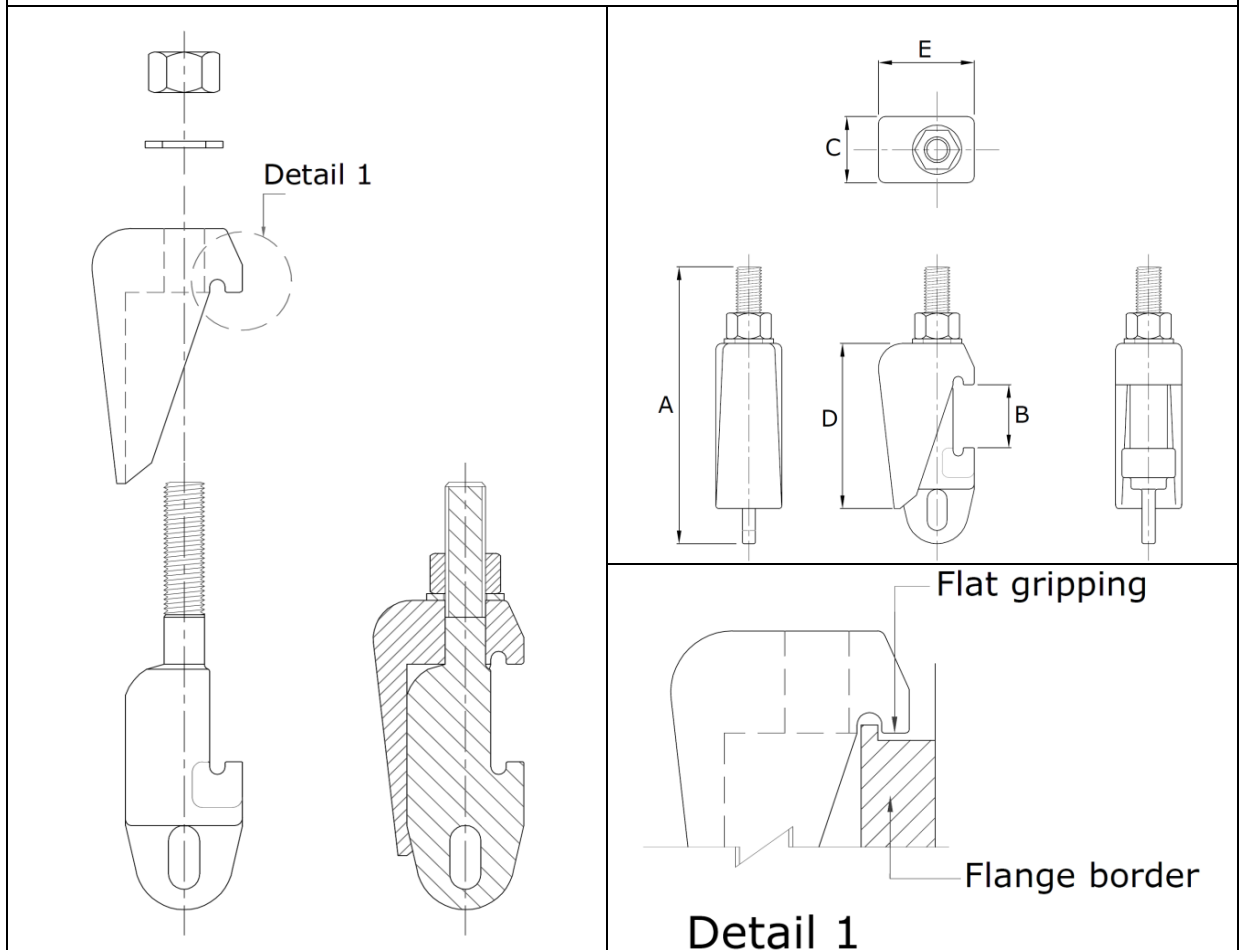
012R – Flat Grip Pressure Vessel Clamps



Size	A	B	C	D	E	Weight kgs	Part No
M10 - K	83	13 - 24	25	43	27	0,16	012R-ZM10-024HO
M10 - L	94	22 - 33	25	43	27	0,18	012R-ZM10-033HO
M10 - LS	122	70 - 83	-	-	-	-	012R-ZM10-083HO
M12 - L	133	40 - 56	34	70	38	0,50	012R-ZM12-056HO
M16 - K	165	40 - 60	40	100	58	1,13	012R-ZM16-060HO
M16 - L	192	55 - 85	40	100	58	1,21	012R-ZM16-085HO
M16 - L2	213	80 - 110	40	100	58	1,28	012R-ZM16-110HO
M16 - LS	234	95 - 125	40	100	58	1,40	012R-ZM16-125HO
M20 - K	200	50 - 75	45	115	73	1,95	012R-ZM20-075HO
M20 - L	212	65 - 90	45	115	73	2,00	012R-ZM20-090HO
M20 - L2	252	90 - 130	45	115	73	2,20	012R-ZM20-130HO
M24 - K	230	65 - 95	52	130	78	2,65	012R-ZM24-095HO
M24 - L	265	90 - 130	52	130	78	3,00	012R-ZM24-130HO
M24 - L2	295	120 - 160	52	130	78	3,20	012R-ZM24-160HO
M24 - LS	340	155 - 200	52	130	78	3,40	012R-ZM24-200HO
M24 - LP	404	180 - 260	52	130	78	4,40	012R-ZM24-260HO
M24 - LX	470	290 - 330	-	-	-	-	012R-ZM24-330HO

Dimensions are provided in good faith but may be subject to change; if dimensions are critical please call the office to confirm all sizes before placing an order.

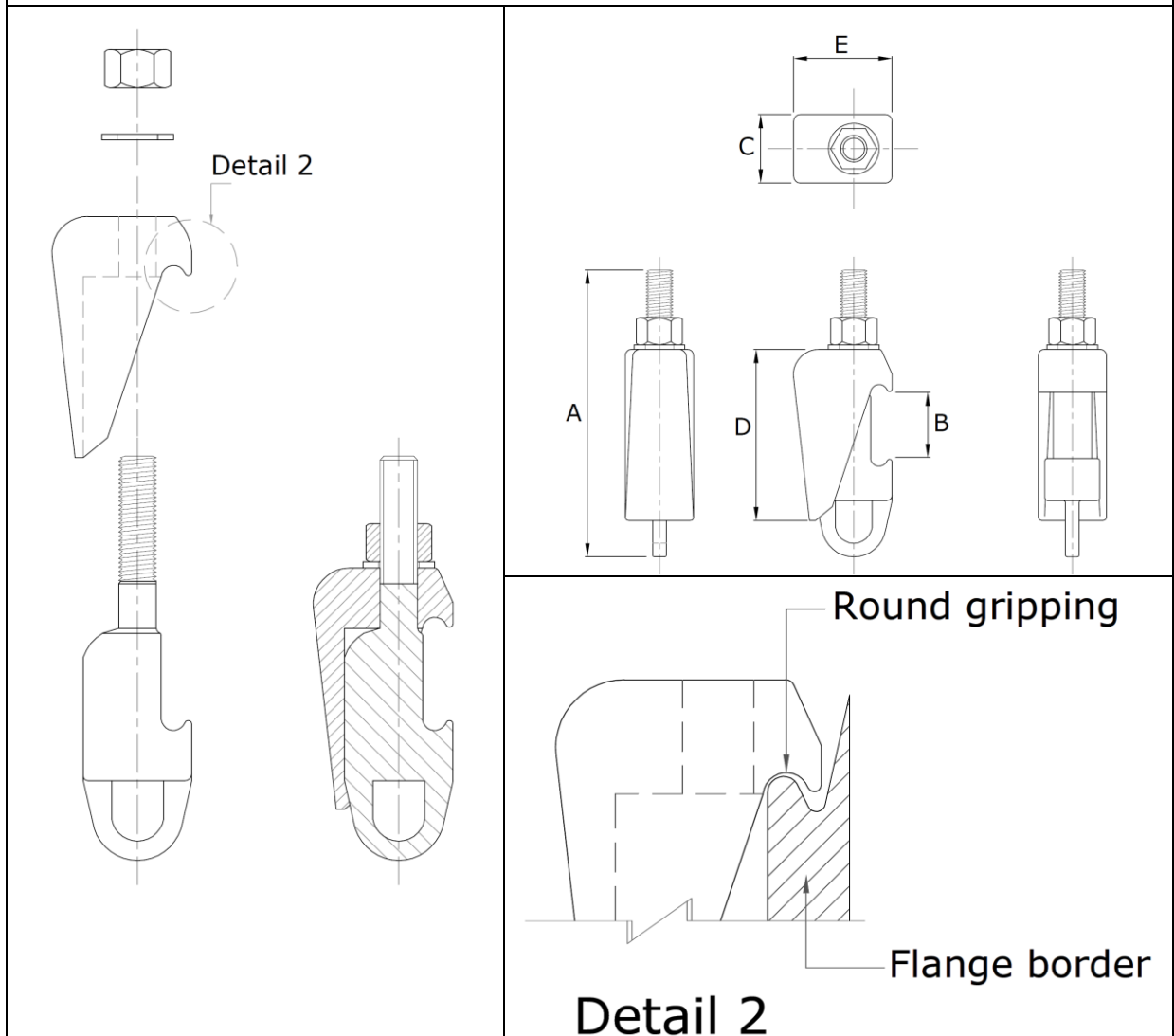
012R – Flat Grip Pressure Vessel Clamps



Size	A	B	C	D	E	Weight kgs	Part No
M27 - K	290	90 - 110	63	155	85	4,80	012R-ZM27-110HO
M27 - L	327	115 - 145	63	155	85	5,00	012R-ZM27-145HO
M27 - L2	375	150 - 195	63	155	85	5,15	012R-ZM27-195HO
M27 - L3	435	205 - 255	63	155	85	6,15	012R-ZM27-255HO
M27 - BV	480	250 - 300	63	155	85	7,20	012R-ZM27-300HO
M27 - LS	565	340 - 385	63	155	85	7,70	012R-ZM27-385HO
M27 - LX	680	440 - 480	-	-	-	-	012R-ZM27-480HO
M33 - K	380	100 - 150	70	200	102	9,20	012R-ZM33-150HO
M33 - L	430	150 - 200	70	200	102	10,10	012R-ZM33-200HO
M33 - Spc.	440	180 - 220	70	200	102	10,20	012R-ZM33-220HO
M33 - L2	480	200 - 250	70	200	102	10,80	012R-ZM33-250HO
M33 - L3	530	250 - 300	70	200	102	11,40	012R-ZM33-300HO
M33 - L4	550	280 - 320	70	200	102	12,00	012R-ZM33-320HO
M33 - L5	645	365 - 415	70	200	102	12,80	012R-ZM33-415HO
M33 - LX	655	380 - 430	-	-	-	-	012R-ZM33-430HO
M33 - LY	810	510 - 560	-	-	-	-	012R-ZM33-560HO
M56 - L	523	200 - 245	-	-	-	-	012R-ZM56-130HO
M56 - L2	640	260 - 350	-	-	-	-	012R-ZM56-130HO
M56 - L3	705	380 - 420	-	-	-	-	012R-ZM56-130HO

Dimensions are provided in good faith but may be subject to change; if dimensions are critical please call the office to confirm all sizes before placing an order.

012Q – Round Grip Pressure Vessel Clamps



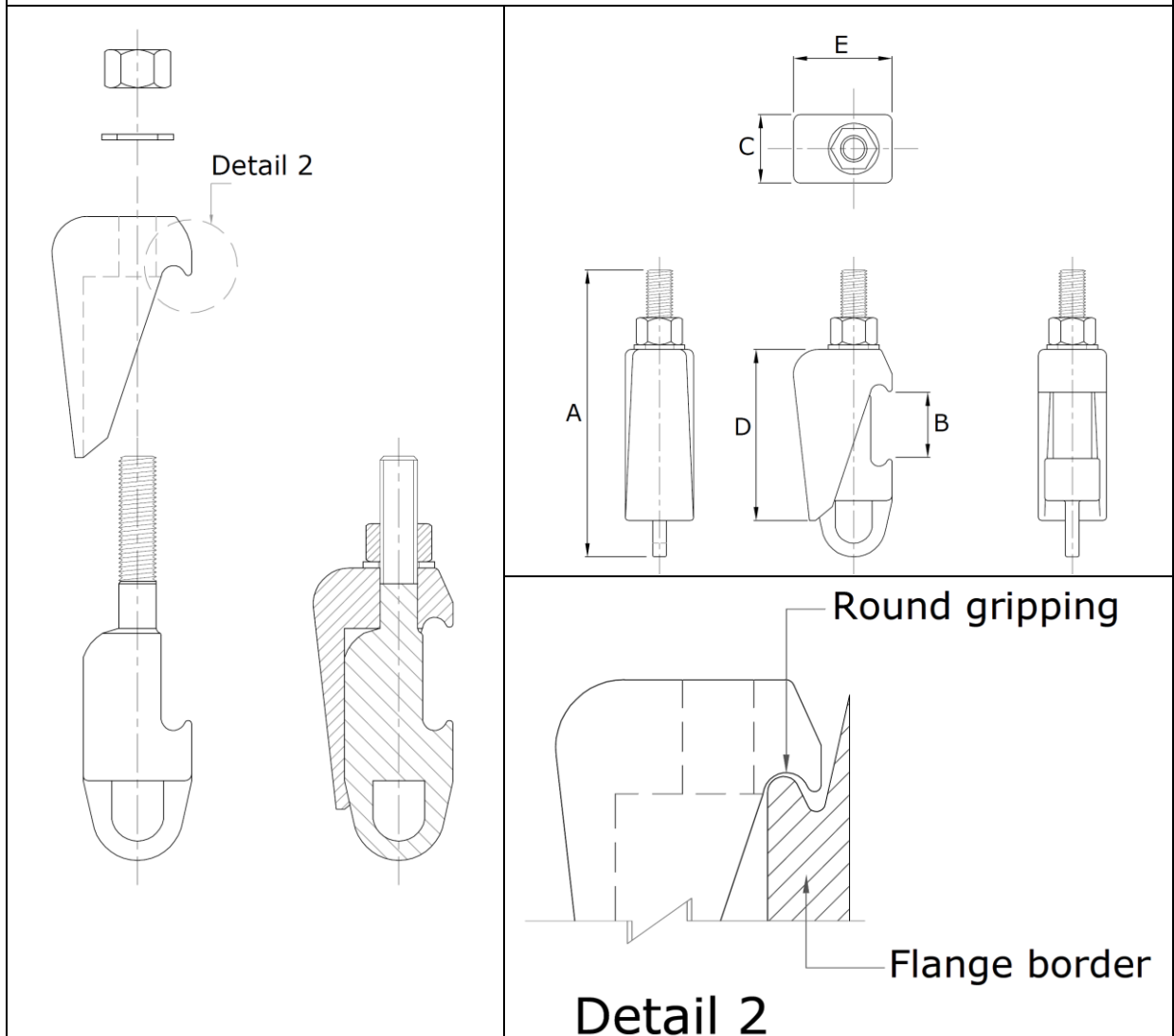
Size	A	B	C	D	E	Weight kgs	Part No
M16 (5/8")	180	50 - 75	45	86	62	1,40	012Q-ZM16-075HO
M16 (5/8")	225	95 - 120	45	86	62	1,50	012Q-ZM16-120HO
M20 (3/4")	195	60 - 85	50	95	69	1,80	012Q-ZM20-085HO
M20 (3/4")	235	95 - 120	50	95	69	2,50	012Q-ZM20-120HO
M24 (1")	217	75 - 100	54	112	74	2,61	012Q-ZM24-100HO
M24 (1")	233	90 - 115	54	112	74	2,71	012Q-ZM24-115HO
M24 (1")	252	110 - 135	54	112	74	3,00	012Q-ZM24-135HO
M24 (1")	303	150 - 185	54	112	74	3,20	012Q-ZM24-185HO
M27 (1.1/16")	288	85 - 120	60	155	90	5,00	012Q-ZM27-120HO
M27 (1.1/16")	323	120 - 155	60	155	90	5,30	012Q-ZM27-155HO
M27 (1.1/16")	357	155 - 190	60	155	90	5,50	012Q-ZM27-190HO
M30 (1.1/8")	288	85 - 120	60	155	90	5,40	012Q-ZM30-120HO

Dimensions are provided in good faith but may be subject to change; if dimensions are critical please call the office to confirm all sizes before placing an order.

DS: [Clamp Range V1.6](#)

Page No: 3

012Q – Round Grip Pressure Vessel Clamps



M30 (1.1/8")	323	120 - 155	60	155	90	5,70	012Q-ZM30-155HO
M30 (1.1/8")	357	155 - 190	60	155	90	5,90	012Q-ZM30-190HO
M33 (1.1/4)	375	120 - 160	70	200	100	8,80	012Q-ZM33-160HO
M33 (1.1/4)	440	180 - 220	70	200	100	10,20	012Q-ZM33-220HO

Material:

- Carbon Steel Zinc or Nickel Plated
- 316 Stainless Steel

Standard Assembling:

- Hex Through Nut: HO
- Hex Cap Nut: HC
- Swing Nut, Eye Nut and others are available upon request

Items in bold are made upon request

Dimensions are provided in good faith but may be subject to change; if dimensions are critical please call the office to confirm all sizes before placing an order.