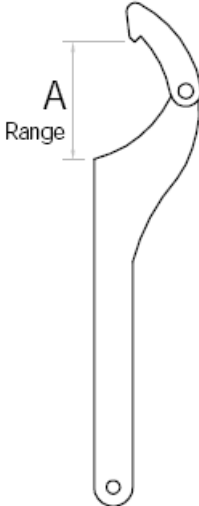
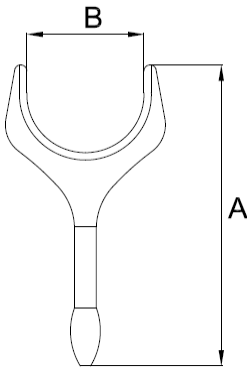
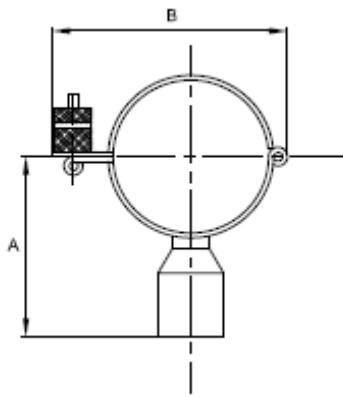


Fittings Accessories					
<p>Hook Spanner for Slotted Nuts</p> 	Size:	A	B	C	Part No:
	1	DN 10 - 20			010N-B020
	2	DN 10 - 40			010N-B040
	3	DN 50 - 80			010N-B080
	4	DN100 - 150			010N-B150
Material 304 Stainless Steel					
<p>RJT Spanner – Aluminium</p> 	Size:	A	B (A/F)	C	Part No:
	1"	280	51		510P-1026
	1.1/2"	280	65		510P-1038
	2"	300	80		510P-1051
	2.1/2"	350	92		510P-1064
	3"	430	105		510P-1076
	4"	440	130		510P-1102

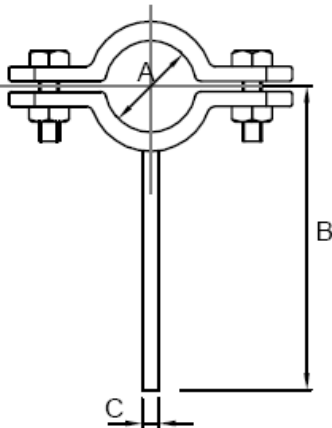
Fittings Accessories

Hinged Pipe Clip, 304SS with
1/2" BSP Boss



Size:	A	B	C	Part No:
1/2"	35	13		010Q-C013
3/4"	38	20		010Q-C019
1"	41	26		010Q-C026
1.1/2"	47	38		010Q-C038
2"	54	51		010Q-C051
2.1/2"	60	64		010Q-C064
3"	66	76		010Q-C076
4"	79	102		010Q-C102

Anti-Vibration / Saddle Clip with
Rubber Insert



Size:	A	B	C	Part No:
1/2"	12.7			010T-B013
3/4"	19.1			010T-B019
1"	25.4	114	10	010T-B026
1.1/2"	38.1	120	10	010T-B038
2"	50.8	127	10	010T-B051
2.1/2"	63.5	135	10	010T-B064
3"	76.2	145	13	010T-B076
4"	101.6	155	13	010T-B102

304SS Bolted Clip with Rubber Insert