

Clamp Adaptors NPT

A comprehensive range of clamp adaptors is offered in NPT, allowing for quick and easy attachment from different thread sizes to hygienic clamp ferrules.

This useful range of adaptors is ideal for taking quick samples on low pressure applications and for temporary connections.

Many clamp standard adaptors offered to BSP and NPT options.

Metric and UNC adapters can also be made to order.

Low sulphur specials are offered for stringent applications



Clamp Hosetails:

- 316L stainless steel material
- Range of sizes and options available
- Fabrication service available for specials
- 0.8 μ M Ra internal surface finish offered as standard
- Many reducing and compensatory sizes are also available
- Electro polishing available for high surface finish
- Exotic materials available such as titanium, Hastelloy®, Monel®, Nylon and ABS
- Material certification to EN 10204 3.1.B

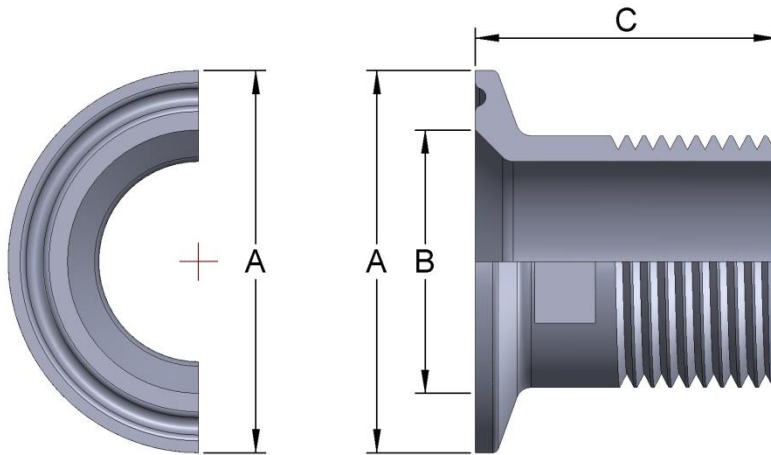
Options:

- 316L/1.4404, 1.4571, 1.4435, C22, C276 and Duplex & Super Duplex materials
- Polymer options including Nylon, Polypropylene, Acetal, PVC, PTFE and ABS
- Special threads including UNC, NPT, URT, SAE and JIC hydraulic connections

Clamp Adapters:

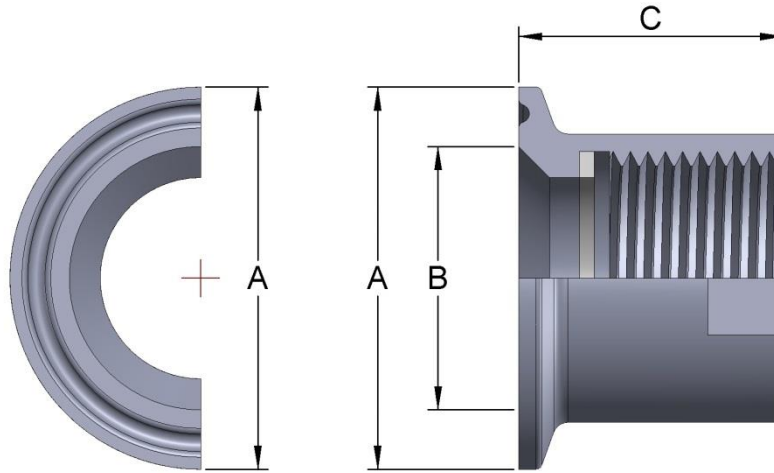
- 316L stainless steel material
- Range of sizes and options available from 1/8" BSP
- Many BSP and NPT male and female sizes held in stock
- Reducing options also available such as 1" to 3/4" BSP
- Specials available to order including Clamp to NPT, NPS, RJT and DIN

305T - Clamp Adaptor to NPT Male



Size	A	B	C	Part No:
1/2" x 1/8"	25.0	9.5	27	305T-A013-0032
1/2" x 1/4"	25.0	9.5	30	305T-A013-0064
1/2" x 3/8"	25.0	9.5	30	305T-A013-0095
1/2" x 1/2"	25.0	9.5	42	305T-A013
1/2" x 3/4"	25.0	9.5	46	305T-A013-019
3/4" x 1/8"	25.0	15.8	27	305T-A019-0032
3/4" x 1/4"	25.0	15.8	30	305T-A019-0064
3/4" x 3/8"	25.0	15.8	30	305T-A019-0095
3/4" x 1/2"	25.0	15.8	42	305T-A019-013
3/4" x 3/4"	25.0	15.8	46	305T-A019
1" x 1/8"	50.5	22.2	27	305T-A026-0032
1" x 1/4"	50.5	22.2	30	305T-A026-0064
1" x 3/8"	50.5	22.2	30	305T-A026-0095
1" x 1/2"	50.5	22.2	39	305T-A026-013
1" x 3/4"	50.5	22.2	42	305T-A026-019
1" x 1"	50.5	22.2	49	305T-A026
1" x 1 1/4"	50.5	22.2	49	305T-A026-032
1" x 1 1/2"	50.5	22.2	60	305T-A026-038
1" x 2"	50.5	22.2	60	305T-A026-051
1 1/2" x 1/8"	50.5	34.9	27	305T-A038-0032
1 1/2" x 1/4"	50.5	34.9	30	305T-A038-0064
1 1/2" x 3/8"	50.5	34.9	30	305T-A038-0095
1 1/2" x 1/2"	50.5	34.9	39	305T-A038-013
1 1/2" x 3/4"	50.5	34.9	42	305T-A038-019
1 1/2" x 1"	50.5	34.9	49	305T-A038-026
1 1/2" x 1 1/4"	50.5	34.9	49	305T-A038-032
1 1/2" x 1 1/2"	50.5	34.9	60	305T-A038
1 1/2" x 2"	50.5	34.9	60	305T-A038-051
2" x 3/8"	64.0	47.6	30	305T-A051-0095
2" x 1/2"	64.0	47.6	49	305T-A051-013
2" x 3/4"	64.0	47.6	42	305T-A051-019
2" x 1"	64.0	47.6	49	305T-A051-026
2" x 1 1/4"	64.0	47.6	49	305T-A051-032
2" x x 1 1/2"	64.0	47.6	60	305T-A051-038
2" x 2"	64.0	47.6	60	305T-A051

305U - Clamp Adaptor to NPT Female



Size	A	B	C	Part No:
1/2" x 1/8"	25.0	9.5	25	305U-A013-0032
1/2" x 1/4"	25.0	9.5	25	305U-A013-0064
1/2" x 3/8"	25.0	9.5	30	305U-A013-0095
1/2" x 1/2"	25.0	9.5	30	305U-A013
1/2" x 3/4"	25.0	9.5	37	305U-A013-019
3/4" x 1/8"	25.0	15.8	25	305U-A019-0032
3/4" x 1/4"	25.0	15.8	25	305U-A019-0064
3/4" x 3/8"	25.0	15.8	30	305U-A019-0095
3/4" x 1/2"	25.0	15.8	30	305U-A019-013
3/4" x 3/4"	25.0	15.8	37	305U-A019
1" x 1/8"	50.5	22.2	25	305U-A026-0032
1" x 1/4"	50.5	22.2	25	305U-A026-0064
1" x 3/8"	50.5	22.2	25	305U-A026-0095
1" x 1/2"	50.5	22.2	25	305U-A026-013
1" x 3/4"	50.5	22.2	29	305U-A026-019
1" x 1"	50.5	22.2	38	305U-A026
1" x 1 1/4"	50.5	22.2	41	305U-A026-032
1" x 1 1/2"	50.5	22.2	41	305U-A026-038
1" x 2"	50.5	22.2	50	305U-A026-051
1 1/2" x 1/8"	50.5	34.9	25	305U-A038-0032
1 1/2" x 1/4"	50.5	34.9	25	305U-A038-0064
1 1/2" x 3/8"	50.5	34.9	25	305U-A038-0095
1 1/2" x 1/2"	50.5	34.9	25	305U-A038-013
1 1/2" x 3/4"	50.5	34.9	29	305U-A038-019
1 1/2" x 1"	50.5	34.9	38	305U-A038-026
1 1/2" x 1 1/4"	50.5	34.9	41	305U-A038-032
1 1/2" x 1 1/2"	50.5	34.9	41	305U-A038
1 1/2" x 2"	50.5	34.9	50	305U-A038-051
2" x 1/4"	64.0	47.6	25	305U-A051-0064
2" x 3/8"	64.0	47.6	25	305U-A051-0095
2" x 1/2"	64.0	47.6	25	305U-A051-013
2" x 3/4"	64.0	47.6	29	305U-A051-019
2" x 1"	64.0	47.6	38	305U-A051-026
2" x 1 1/4"	64.0	47.6	41	305U-A051-032
2" x 1 1/2"	64.0	47.6	41	305U-A051-038
2" x 2"	64.0	47.6	50	305U-A051