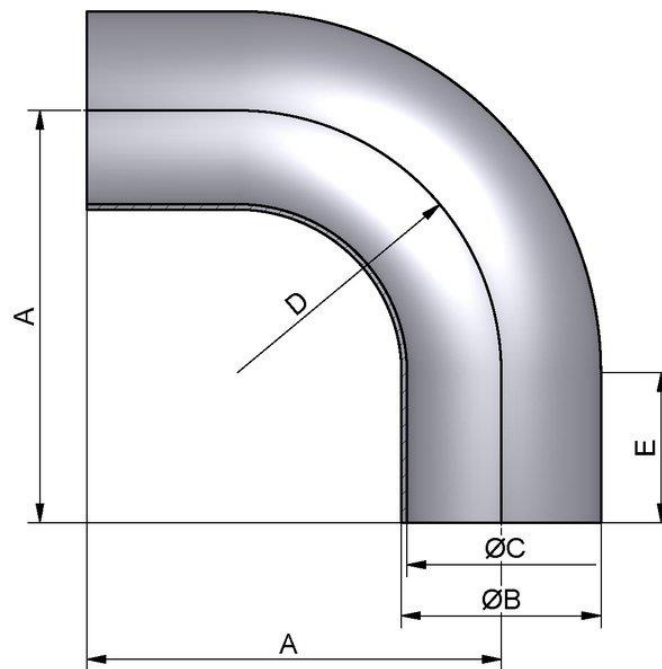
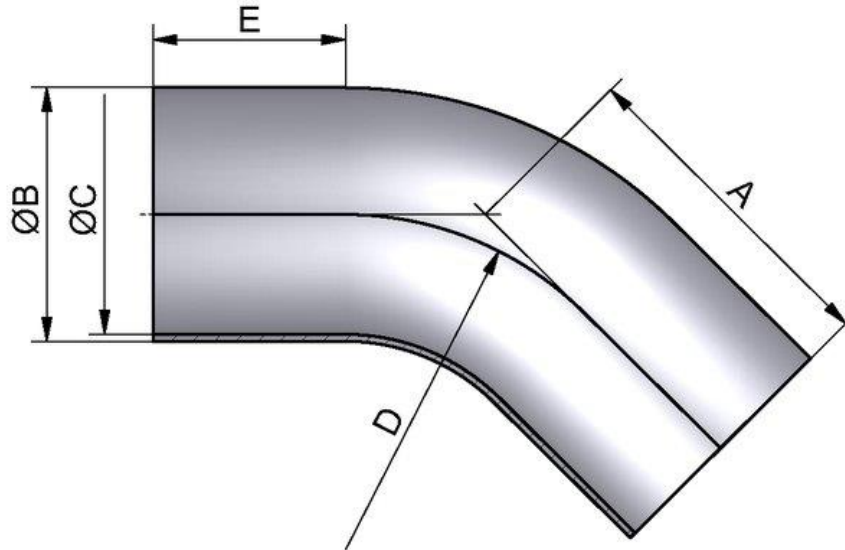


**K05A – Orbital Weld Bend 90°DIN11865 Table C
ASME BPE – DIN11866-C**



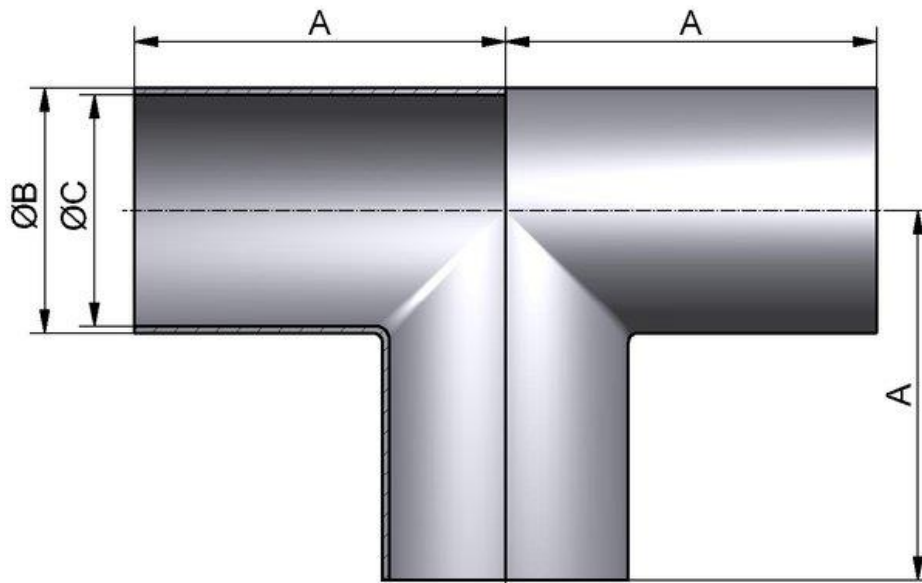
Part No:	DN	A	B	C	D	E
K05A-A013	0.5"	76.2	12.7	9.4	25.4	50.8
K05A-A019	0.75"	76.2	19.05	15.75	25.4	50.8
K05A-A026	1"	76.2	25.4	22.1	38.1	38.1
K05A-A038	1.5"	95.3	38.1	34.8	57.2	38.1
K05A-A051	2"	120.7	50.8	47.5	76.2	44.5
K05A-A064	2.5"	139.7	63.5	60.2	95.3	44.5
K05A-A076	3"	158.8	76.2	72.9	114.3	44.5
K05A-A102	4"	203.2	101.6	97.4	152.4	50.8

**K05B – Orbital Weld Bend 45°DIN11865 Table C
ASME BPE – DIN11866-C**



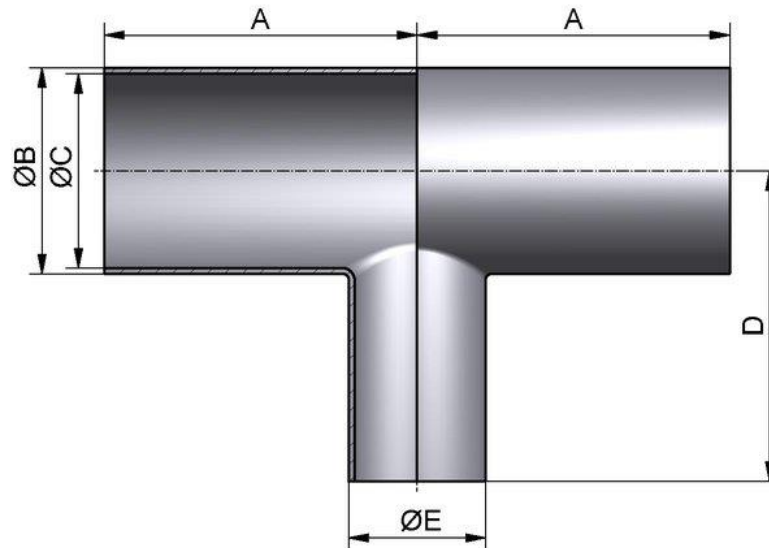
Part No:	DN	A	B	C	D	E
K05B-A013	0.5"	57.2	12.7	9.4	25.4	46.7
K05B-A019	0.75"	57.2	19.05	15.75	25.4	46.7
K05B-A026	1"	57.2	25.4	22.1	38.1	41.4
K05B-A038	1.5"	63.5	38.1	34.8	57.2	39.8
K05B-A051	2"	76.2	50.8	47.5	76.2	44.6
K05B-A064	2.5"	85.7	63.5	60.2	95.3	47.0
K05B-A076	3"	92.1	76.2	72.9	114.3	44.8
K05B-A102	4"	114.3	101.6	97.4	152.4	51.2

**K05F – Orbital Weld Equal Tee Long DIN11865 Table C
ASME BPE DIN11866-C**



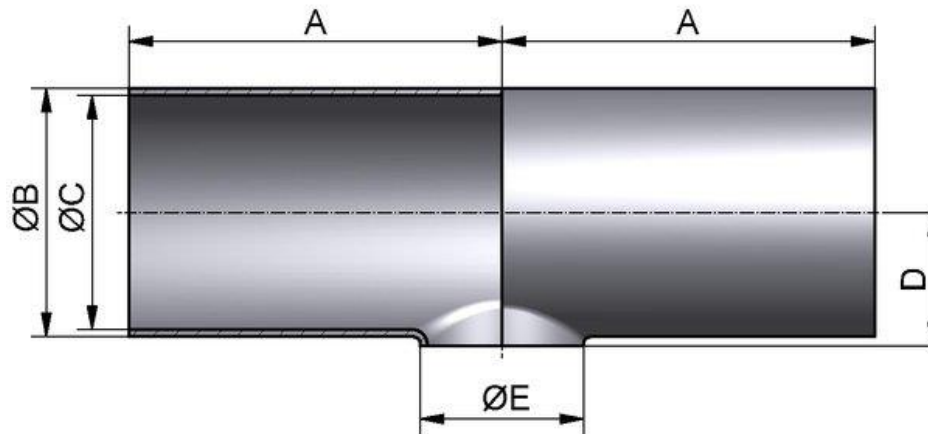
Part No:	DN	A	B	C		
K05F-A013	0.5"	47.6	12.7	9.4		
K05F-A019	0.75"	50.8	19.05	15.75		
K05F-A026	1"	54.0	25.4	22.1		
K05F-A038	1.5"	60.3	38.1	34.8		
K05F-A051	2"	73.0	50.8	47.5		
K05F-A064	2.5"	79.4	63.5	60.2		
K05F-A076	3"	85.7	76.2	72.9		
K05F-A102	4"	104.8	101.6	97.4		

**K05Q – Orbital Reducing Tee Long DIN11865 Table C
ASME BPE – DIN11866-C**



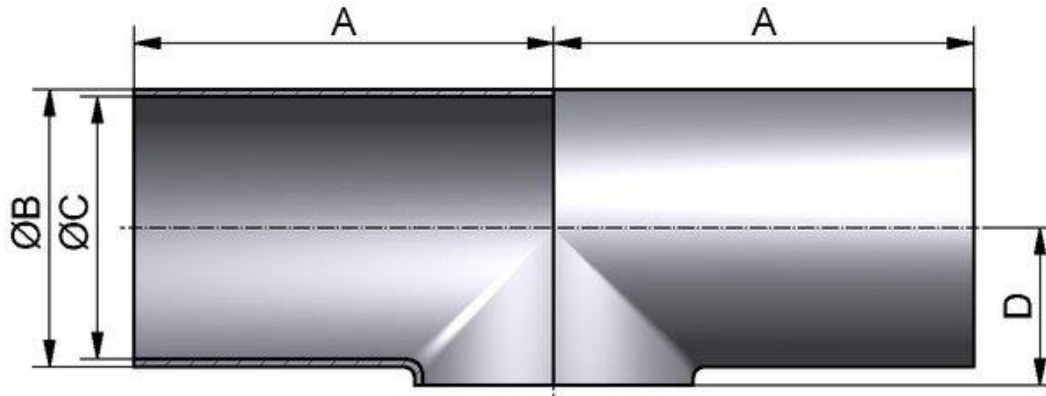
Part No:	DN	A	B	C	D	E
K05Q-A019-013	0.75-0.5"	50.8	19.05	15.75	50.8	12.7
K05Q-A026-013	1-0.5"	54.0	25.4	22.1	54.0	12.7
K05Q-A026-019	1-0.75"	54.0	25.4	22.1	54.0	19.05
K05Q-A038-019	1.5-0.75"	60.3	38.1	34.8	60.3	19.05
K05Q-A038-026	1.5-1"	60.3	38.1	34.8	60.3	25.4
K05Q-A051-026	2-1"	73.0	50.8	47.5	66.7	25.4
K05Q-A051-038	2-1.5"	73.0	50.8	47.5	66.7	38.1
K05Q-A064-026	2.5-1"	79.4	63.5	60.2	73.0	25.4
K05Q-A064-038	2.5-1.5"	79.4	63.5	60.2	73.0	38.1
K05Q-A064-051	2.5-2"	79.4	63.5	60.2	73.0	50.8
K05Q-A076-038	3-1.5"	85.7	76.2	72.9	79.4	38.1
K05Q-A076-051	3-2"	85.7	76.2	72.9	79.4	50.8
K05Q-A076-064	3-2.5"	85.7	76.2	72.9	79.4	63.5
K05Q-A102-051	4-2"	104.8	101.6	97.4	98.4	50.8
K05Q-A102-064	4-2.5"	104.8	101.6	97.4	98.4	63.5
K05Q-A102-076	4-3"	104.8	101.6	97.4	98.4	76.2

**K05V – Orbital Reducing Tee Short DIN11865 Table C
ASME BPE – DIN11866-C**



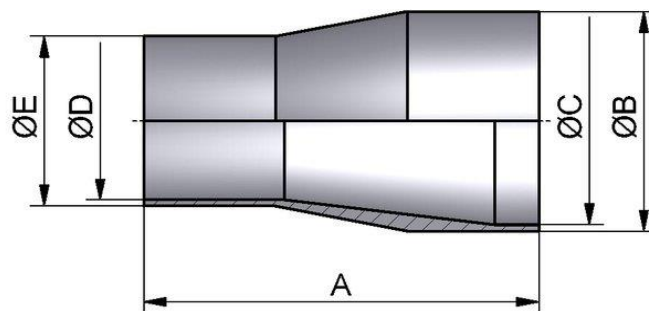
Part No:	DN	A	B	C	D	E
K05V-A019-013	0.75-0.5"	50.8	19.05	15.75	11.0	12.7
K05V-A026-013	1-0.5"	54.0	25.4	22.1	14.2	12.7
K05V-A026-019	1-0.75"	54.0	25.4	22.1	14.2	19.05
K05V-A038-019	1.5-0.75"	60.3	38.1	34.8	20.6	19.05
K05V-A038-026	1.5-1"	60.3	38.1	34.8	20.6	25.4
K05V-A051-026	2-1"	73.0	50.8	47.5	26.9	25.4
K05V-A051-038	2-1.5"	73.0	50.8	47.5	27.4	38.1
K05V-A064-026	2.5-1"	79.4	63.5	60.2	33.3	25.4
K05V-A064-038	2.5-1.5"	79.4	63.5	60.2	33.8	38.1
K05V-A064-051	2.5-2"	79.4	63.5	60.2	35.3	50.8
K05V-A076-038	3-1.5"	85.7	76.2	72.9	40.1	38.1
K05V-A076-051	3-2"	85.7	76.2	72.9	41.6	50.8
K05V-A076-064	3-2.5"	85.7	76.2	72.9	41.6	63.5
K05V-A102-051	4-2"	104.8	101.6	97.4	54.3	50.8
K05V-A102-064	4-2.5"	104.8	101.6	97.4	54.3	63.5
K05V-A102-076	4-3"	104.8	101.6	97.4	55.8	76.2

**K05P – Orbital Equal Tee Short DIN11865 Table C
ASME BPE – DIN11866-C**



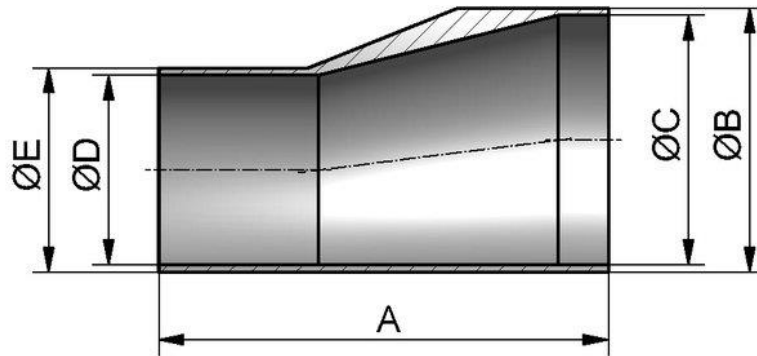
Part No:	DN	A	B	C	D	
K05P-A013	0.5"	47.6	12.7	9.4	7.5	
K05P-A019	0.75"	50.8	19.05	15.75	11.0	
K05P-A026	1"	54.0	25.4	22.1	14.2	
K05P-A038	1.5"	60.3	38.1	34.8	21.1	
K05P-A051	2"	73.0	50.8	47.5	28.9	
K05P-A064	2.5"	79.4	63.5	60.2	35.3	
K05P-A076	3"	85.7	76.2	72.9	43.1	
K05P-A102	4"	104.8	101.6	97.4	56.8	

**K05K – Orbital Weld Reducer Concentric
DIN11865 Table C ASME BPE – DIN11866-C**



Part No:	DN	A	B	C	D	E
K05K-A019-013	0.75-0.5"	53.98	19.05	15.75	9.4	12.7
K05K-A026-013	1-0.5"	63.50	25.4	22.1	9.4	12.7
K05K-A026-019	1-0.75"	53.98	25.4	22.1	15.75	19.05
K05K-A038-019	1.5-0.75"	76.20	38.1	34.8	15.75	19.05
K05K-A038-026	1.5-1"	63.50	38.1	34.8	22.1	25.4
K05K-A051-026	2-1"	85.73	50.8	47.5	22.1	25.4
K05K-A051-038	2-1.5"	63.50	50.8	47.5	34.8	38.1
K05K-A064-038	2.5-1.5"	85.73	63.5	60.2	34.8	38.1
K05K-A064-051	2.5-2"	63.50	63.5	60.2	47.5	50.8
K05K-A076-038	3-1.5"	107.95	76.2	72.9	34.8	38.1
K05K-A076-051	3-2"	85.73	76.2	72.9	47.5	50.8
K05K-A076-064	3-2.5"	66.68	76.2	72.9	60.2	63.5
K05K-A102-051	4-2"	130.18	101.6	97.4	47.5	50.8
K05K-A102-064	4-2.5"	107.95	101.6	97.4	60.2	63.5
K05K-A102-076	4-3"	98.43	101.6	97.4	72.9	76.2

**K05M – Orbital Weld Reducer Eccentric
DIN11865 Table C ASME BPE– DIN11866-C**



Part No:	DN	A	B	C	D	E
K05M-A019-013	0.75-0.5"	53.98	19.05	15.75	9.4	12.7
K05M-A026-013	1-0.5"	63.50	25.4	22.1	9.4	12.7
K05M-A026-019	1-0.75"	53.98	25.4	22.1	15.75	19.05
K05M-A038-019	1.5-0.75"	76.20	38.1	34.8	15.75	19.05
K05M-A038-026	1.5-1"	63.50	38.1	34.8	22.1	25.4
K05M-A051-026	2-1"	85.73	50.8	47.5	22.1	25.4
K05M-A051-038	2-1.5"	63.50	50.8	47.5	34.8	38.1
K05M-A064-038	2.5-1.5"	85.73	63.5	60.2	34.8	38.1
K05M-A064-051	2.5-2"	63.50	63.5	60.2	47.5	50.8
K05M-A076-038	3-1.5"	107.95	76.2	72.9	34.8	38.1
K05M-A076-051	3-2"	85.73	76.2	72.9	47.5	50.8
K05M-A076-064	3-2.5"	66.68	76.2	72.9	60.2	63.5
K05M-A102-051	4-2"	130.18	101.6	97.4	47.5	50.8
K05M-A102-064	4-2.5"	107.95	101.6	97.4	60.2	63.5
K05M-A102-076	4-3"	98.43	101.6	97.4	72.9	76.2