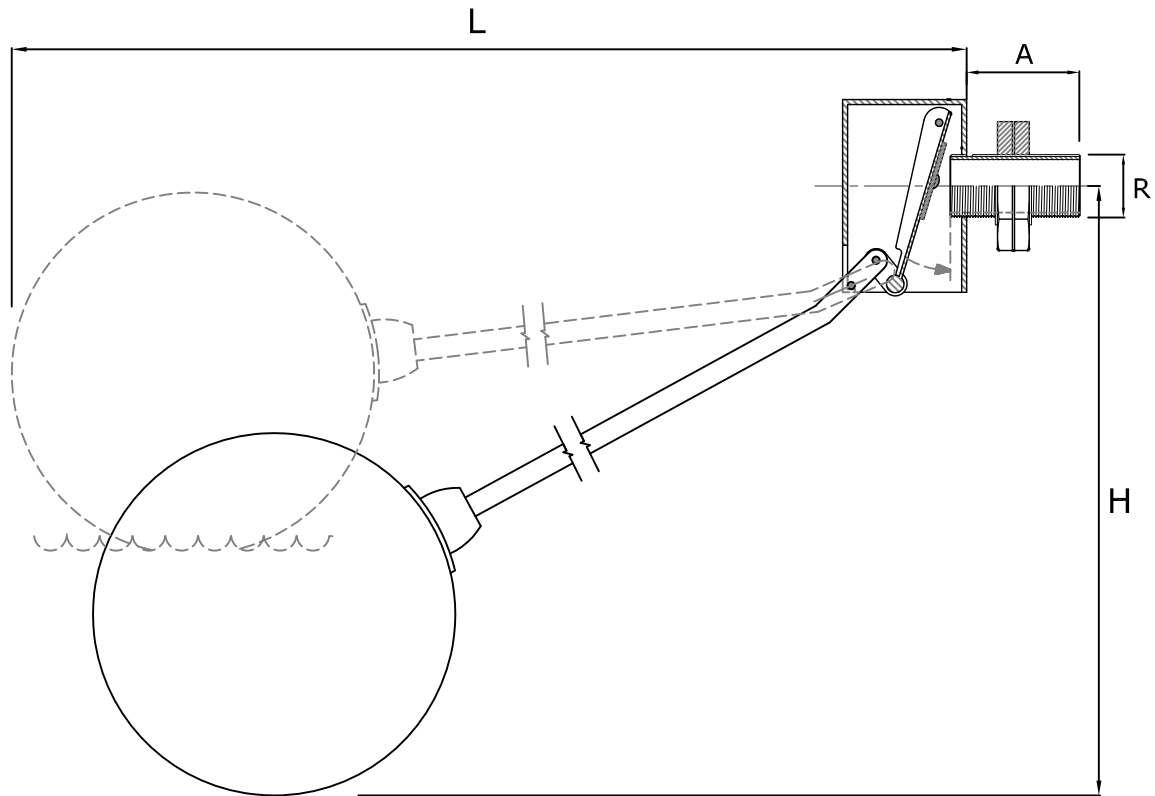


Ball Float Valve



	R	A mm	Pressure (maximum)	Buoy Ø mm	L mm	H mm	
	3/8"	31.0	5.0 Bar	90	366.0	210.0	
	1/2"	35.0	4.0 Bar	110	424.0	260.0	
	3/4"	40.0	11.0 Bar	160	512.0	287.0	
	1"	45.0	5.5 Bar	160	620.0	332.0	
	1 1/4"	50.0	1.5 Bar	160	642.0	322.0	
	1 1/2"	57.0	3.5 Bar	200	610.0	315.0	
	2"	60.0	2.5 Bar	200	677.0	410.0	
	2 1/2"	79.0	5.0 Bar	300	804.0	490.0	