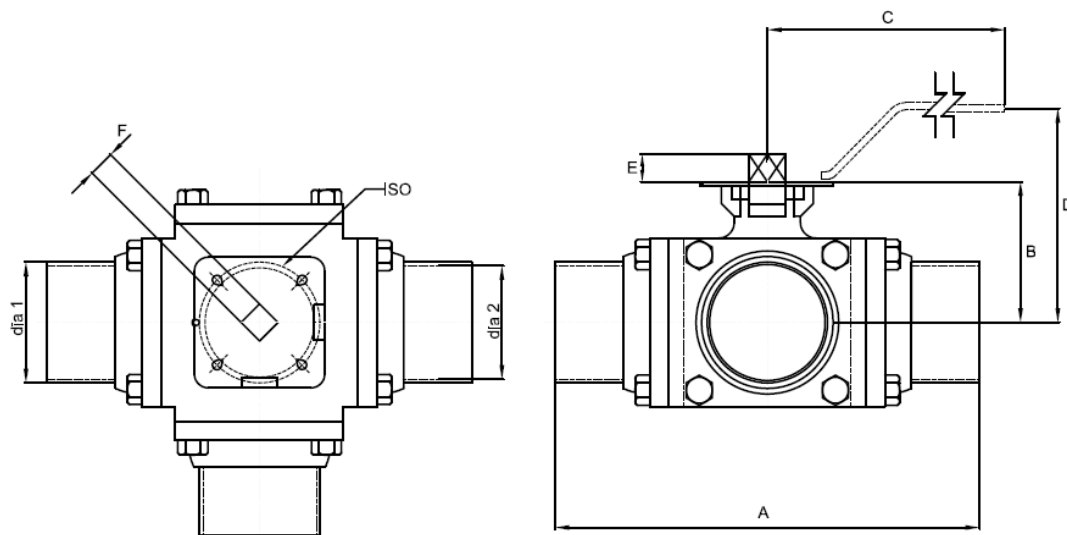


2108- 3 Way Hygienic Ball Valve



Size	A	B	C	D	E	F	OD	ID
1/2"	118	45	121	78	9	9	12.70	9.50
3/4"	127	48	121	82	9	9	19.05	15.90
1"	152	59	137	90	11	11	25.40	22.20
1 1/2"	175	72	182	110	14	14	38.10	34.90
2"	190	82	182	115	14	14	50.80	47.60
2 1/2"	228	100	370	108	17	17	63.50	60.30
3"	260	126	400	134	23	22	76.20	73.00
4"	318	136	400	156	23	22	101.6	97.60

Plain ended valve illustrated

Optional fittings can be welded to the valve, eg.
RJT, Clamp, IDF, SMS and DIN 11851
Industrial connections are also available such as NPT & BSP
Flanged connections such as ASA 150 and PN16

Dimensions are provided in good faith but may be subject to change, if dimensions are critical please call the office to confirm all sizes before placing an order.

DS 2108 3 Way BV1.1

Page No: 1