

## Butterfly Valves

Light weight and easy to operate, the butterfly valve is firmly established as the process industry's standard valve for "on/off" control applications. Suitable for working pressures of up to 7 Bar in the 1" to 4" sizes, the robust design and simple operating mechanism, make these low maintenance valves ideal for low viscosity liquid transfer.

Available in 316L SS and 304L SS, the butterfly valve can be controlled either manually or automatically, using an actuator. The standard actuator offered is pneumatically operated and can be single or double acting.

A full range of FDA approved seals is offered including EPDM, Silicone and Viton® FKM and encapsulated PTFE coated materials.

The pneumatic actuators are offered with Control Boxes locally mounted and can contain electronic feed-back switches and solenoid valves.

A range of manual handles is also available from the simple ABS trigger operated handle, Micro-Metric Adjustment Controller and Multi-Position handle.

### End connections: Size range: 1/2" to 12" (300mm)

Plain weld ends in BS, DIN and SMS  
Clamp Ferrules  
RJT male and female  
IDF male and female  
DIN 11851 male and female  
SMS male and female

### Valve Construction:

Manufactured from heat treated and solution annealed stainless steel blanks in 304L and 316L  
The Spindles are hot-forged and solution annealed in 316L SS with a mirror finish  
PTFE bushes are fitted to the spindles to reduce friction during operation  
Seal materials include red silicone, black EPDM, Black FKM, PTFE Coated FKM and Silicone  
The standard internal finish is 120 grit but Ra values of 0.8 and 0.5 are available on request

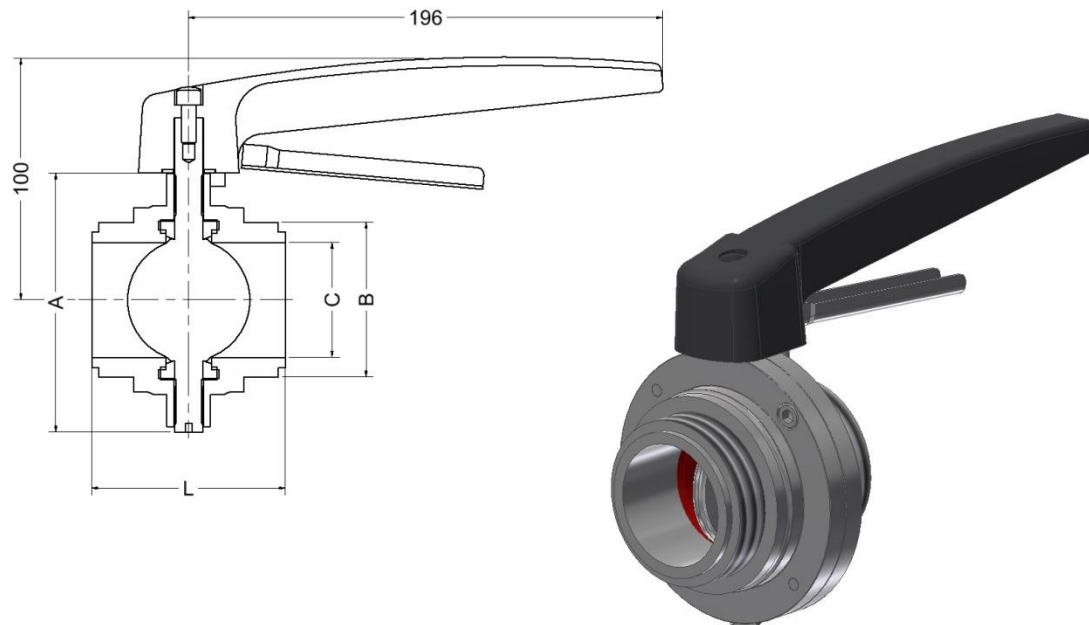
### Accessories:

A range of different handles and actuators is offered to control the flow  
Spares are available such as seals, spindles and handles  
Pneumatic and electrical position sensors  
Electrical solenoids with AC and DC supply  
Seal materials include red silicone, black EPDM, Black FKM, PTFE Coated FKM and Silicone

### Performance:

Maximum operating pressure 7 Barg for elastomer seals up to 4" (DN100) and 2.0 Barg with PTFE Coated Seals

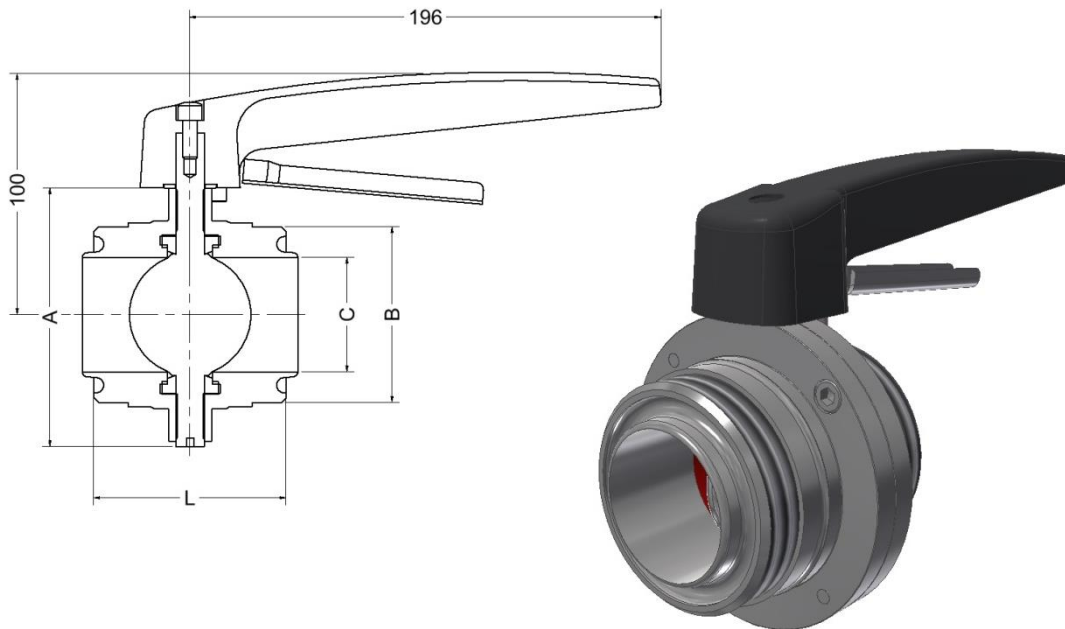
### Butterfly Valve – IDF Ended -4090 316L SS



| Size | A   | B     | C    | L  | Part No   |
|------|-----|-------|------|----|-----------|
| 1"   | 79  | 37-8  | 22.4 | 68 | 4090-A026 |
| 1.5" | 85  | 50-8  | 35-1 | 76 | 4090-A038 |
| 2"   | 105 | 64-8  | 47.8 | 80 | 4090-A051 |
| 2.5" | 112 | 77-8  | 60.5 | 80 | 4090-A064 |
| 3"   | 125 | 91-8  | 72.9 | 82 | 4090-A076 |
| 4"   | 157 | 118-8 | 97.6 | 88 | 4090-A102 |

Dimensions in mm

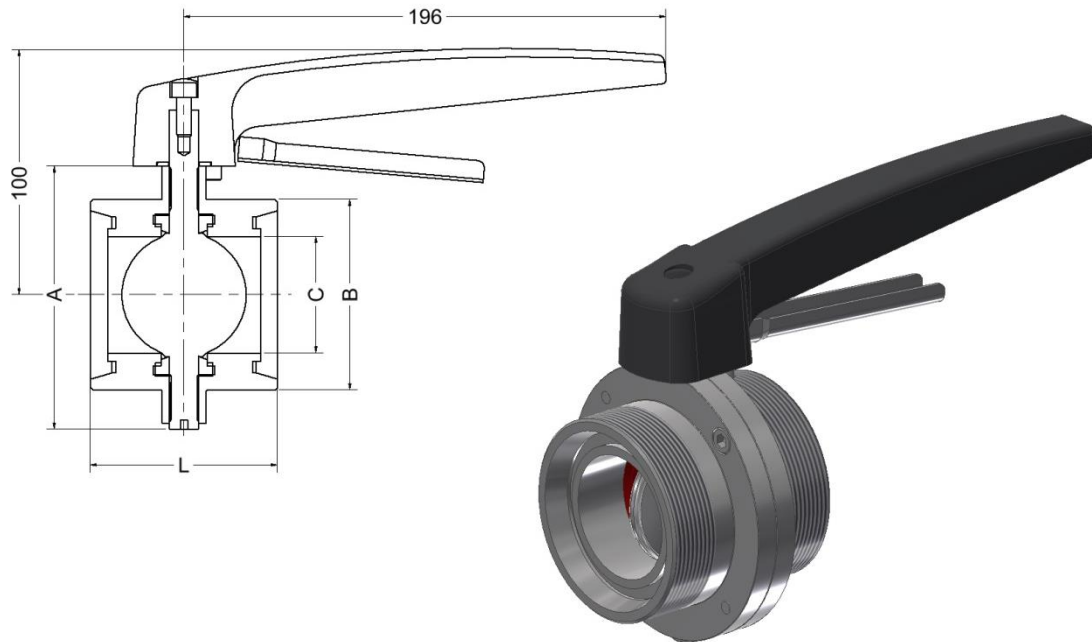
### Butterfly Valve – RJT Ended -5090 316L SS



| Size | A   | B     | C    | L1 | Part No   |
|------|-----|-------|------|----|-----------|
| 1"   | 79  | 46-8  | 22.4 | 68 | 5090-A026 |
| 1.5" | 85  | 58-8  | 34.1 | 76 | 5090-A038 |
| 2"   | 105 | 73-6  | 47.8 | 80 | 5090-A051 |
| 2.5" | 112 | 85-6  | 60.5 | 80 | 5090-A064 |
| 3"   | 125 | 98-6  | 72.9 | 82 | 5090-A076 |
| 4"   | 157 | 123-6 | 97.6 | 88 | 5090-A102 |

Dimensions in mm

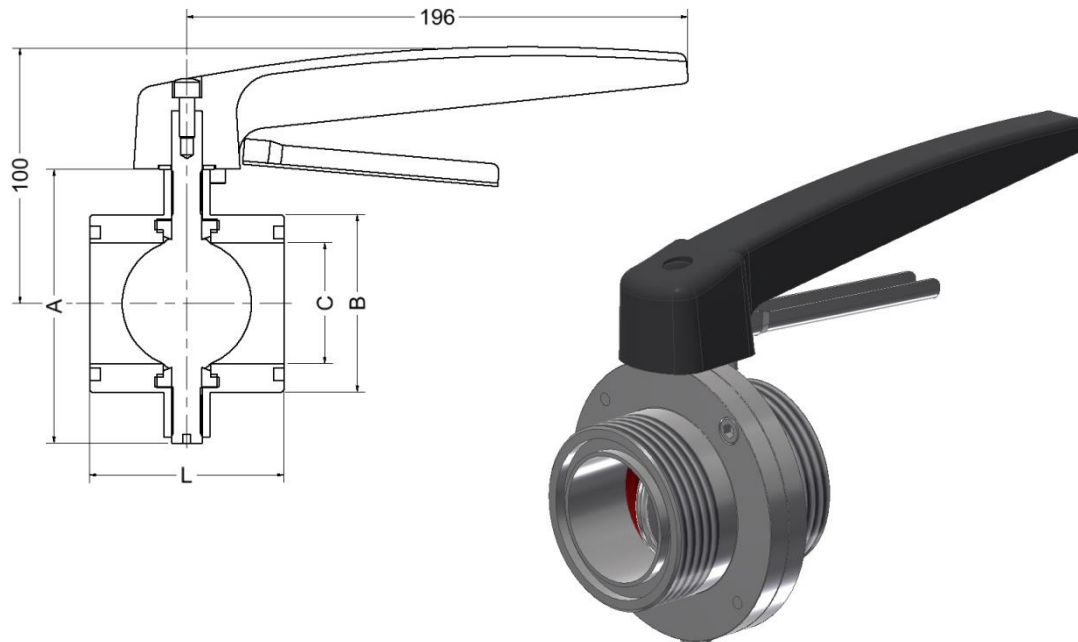
## Butterfly Valve – DIN11851 Ended -6090 316L SS



| Size | A   | B     | C   | L   | Part No   |
|------|-----|-------|-----|-----|-----------|
| 25   | 79  | 52-6  | 25  | 68  | 6090-A025 |
| 32   | 85  | 58-6  | 31  | 76  | 6090-A032 |
| 40   | 92  | 65-6  | 37  | 80  | 6090-A040 |
| 50   | 105 | 78-6  | 49  | 80  | 6090-A050 |
| 65   | 125 | 95-6  | 66  | 82  | 6090-A065 |
| 80   | 137 | 110-4 | 81  | 88  | 6090-A080 |
| 100  | 157 | 130-4 | 100 | POA | 6090-A100 |
| 125  | POA | POA   | POA | POA | 6090-A125 |
| 150  | POA | POA   | POA | POA | 6090-A150 |

Dimensions in mm

**Butterfly Valve – SMS Ended -7090  
316L SS**



| Size | A   | B     | C    | L  | Part No   |
|------|-----|-------|------|----|-----------|
| 1"   | 79  | 40-6  | 22.4 | 68 | 7090-A026 |
| 1.5" | 85  | 60-6  | 35.1 | 76 | 7090-A038 |
| 2"   | 105 | 70-6  | 47.8 | 80 | 7090-A051 |
| 2.5" | 112 | 85-6  | 60.5 | 80 | 7090-A064 |
| 3"   | 125 | 98-6  | 72.9 | 82 | 7090-A076 |
| 4"   | 157 | 132-6 | 97.6 | 88 | 7090-A102 |

Dimensions in mm