

Butterfly Valves

Light weight and easy to operate, the butterfly valve is firmly established as the process industry's standard valve for "on/off" control applications. Suitable for working pressures of up to 7 Bar in the 1" to 4" sizes, the robust design and simple operating mechanism, make these low maintenance valves ideal for low viscosity liquid transfer.

Available in 316L SS and 304L SS, the butterfly valve can be controlled either manually or automatically, using an actuator. The standard actuator offered is pneumatically operated and can be single or double acting.

A full range of FDA approved seals is offered including EPDM, Silicone and Viton® FKM and encapsulated PTFE coated materials.

The pneumatic actuators are offered with Control Boxes locally mounted and can contain electronic feed-back switches and solenoid valves.

A range of manual handles is also available from the simple ABS trigger operated handle, Micro-Metric Adjustment Controller and Multi-Position handle.

End connections: Size range: 1/2" to 12" (300mm)

Plain weld ends in BS, DIN and SMS
Clamp Ferrules
RJT male and female
IDF male and female
DIN 11851 male and female
SMS male and female

Valve Construction:

Manufactured from heat treated and solution annealed stainless steel blanks in 304L and 316L
The Spindles are hot-forged and solution annealed in 316L SS with a mirror finish
PTFE bushes are fitted to the spindles to reduce friction during operation
Seal materials include red silicone, black EPDM, Black FKM, PTFE Coated FKM and Silicone
The standard internal finish is 120 grit but Ra values of 0.8 and 0.5 are available on request

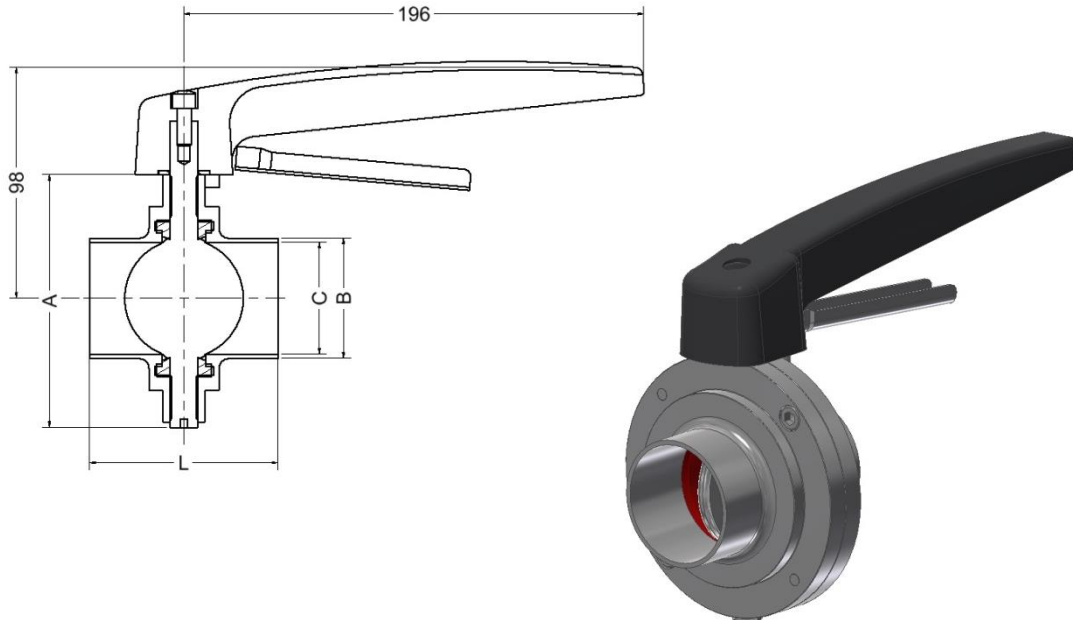
Accessories:

A range of different handles and actuators is offered to control the flow
Spares are available such as seals, spindles and handles
Pneumatic and electrical position sensors
Electrical solenoids with AC and DC supply
Seal materials include red silicone, black EPDM, Black FKM, PTFE Coated FKM and Silicone

Performance:

Maximum operating pressure 7 Barg for elastomer seals up to 4" (DN100) and 2.0 Barg with PTFE Coated Seals

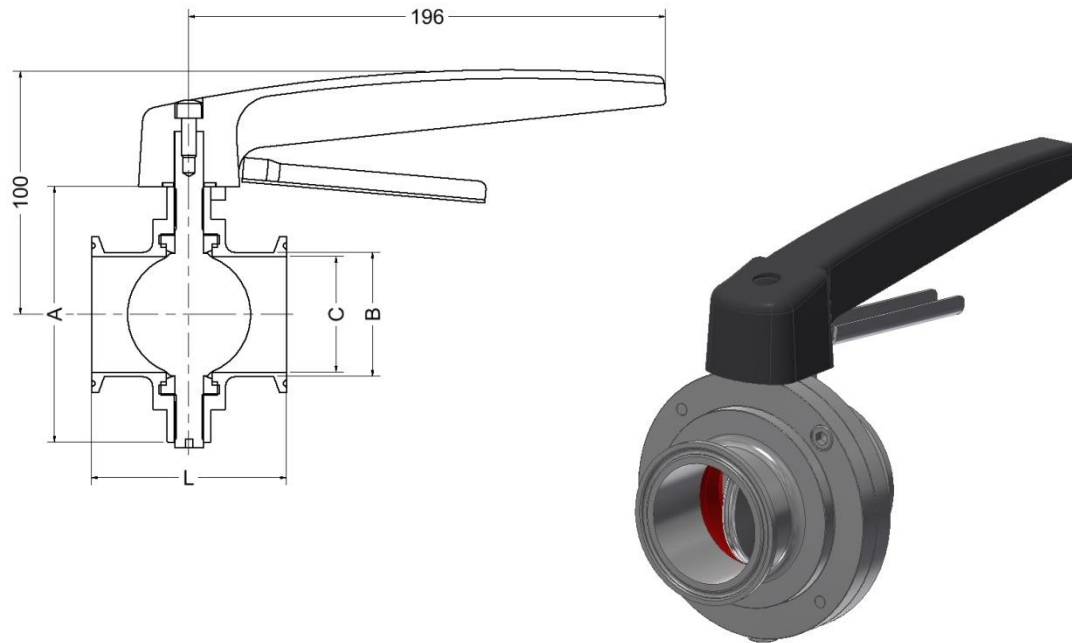
Butterfly Valve – Plain Ended -2090 316L SS



Size	A	B	C	L1	Part No
1"	79	25.4	22.4	68	2090-A026
1.5"	85	38.1	35.1	76	2090-A038
2"	105	50.8	47.8	80	2090-A051
2.5"	112	63.5	60.5	80	2090-A064
3"	125	76.2	72.9	82	2090-A076
4"	157	101.6	97.6	88	2090-A102
Metric Valves Options – Former Series					
28	79	28	25	64	2090-A028
34	85	34	31	76	2090-A034
40	92	40	37	76	2090-A040
52	105	52	49	80	2090-A052
70	125	70	66	82	2090-A070
85	137	85	81	84	2090-A085
104	157	104	100	88	2090-A104
129	180	129	124	80	2090-A129
154	212	154	149	80	2090-A154
204	256	204	199	90	2090-A204
254	306	254	249	90	2090-A254

Dimensions in mm
Additional valves are available with dimensions to suit DIN11850 Table A tubes and fittings

Butterfly Valve – Clamp Ended -3090 316L SS



Size	A	B	C	L	Part No
1"	79	25.4	22.1	70	3090-A026
1.5"	85	38.1	34.8	72	3090-A038
2"	105	50.8	47.5	80	3090-A051
2.5"	112	63.5	60.2	80	3090-A064
3"	125	76.2	72.9	80	3090-A076
4"	157	101.6	97.4	90	3090-A102
5"	180	127.0	122.0	92	3090-A129
6"	212	152.4	147.4	92	3090-A154
8"	256.5	203.0	198.2	90	3090-A204
10"	306.5	254	249.0	90	3090-A254
12"					3090-A304

Dimensions in mm

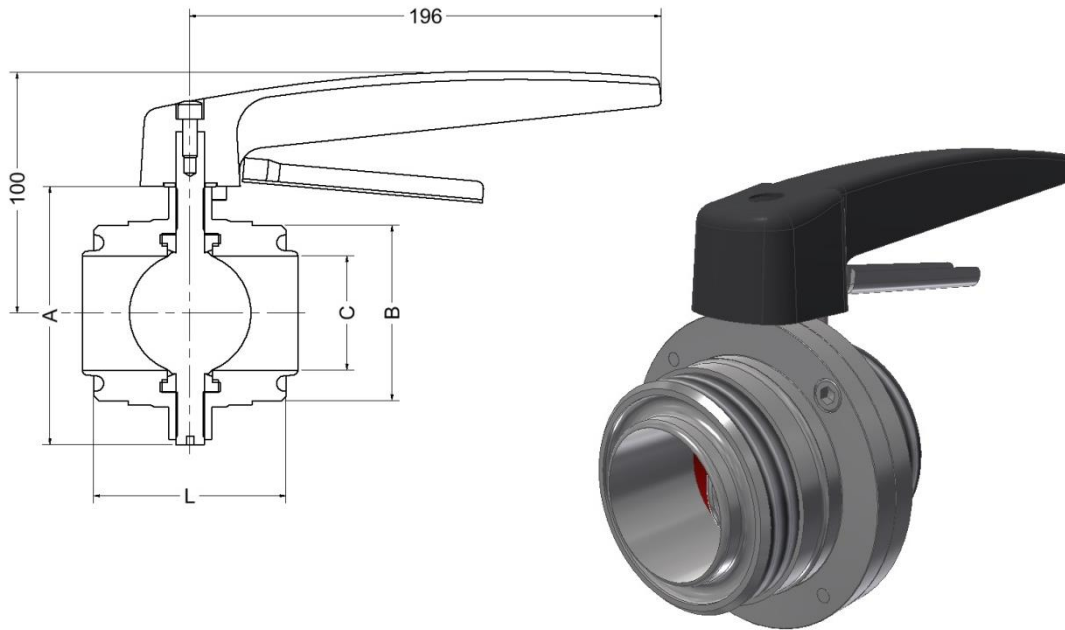
Valve Construction:

Manufactured from heat treated and solution annealed stainless steel blanks in 304L and 316L
 The Spindles are hot-forged and solution annealed in 316L SS with a mirror finish
 PTFE bushes are fitted to the spindles to reduce friction during operation
 Seal materials include red silicone, black EPDM, black FKM, PTFE coated FKM and silicone
 The standard internal finish is 120 grit but Ra values of 0.8 and 0.5 are available on request

Accessories:

A range of different handles and actuators is offered to control the flow
 Spares are available such as seals, spindles and handles
 Pneumatic and electrical position sensors
 Electrical solenoids with AC and DC supply

**Butterfly Valve – RJT Ended -5090
316L SS**



Size	A	B	C	L1	Part No
1"	79	46-8	22.4	68	5090-A026
1.5"	85	58-8	34.1	76	5090-A038
2"	105	73-6	47.8	80	5090-A051
2.5"	112	85-6	60.5	80	5090-A064
3"	125	98-6	72.9	82	5090-A076
4"	157	123-6	97.6	88	5090-A102

Dimensions in mm