

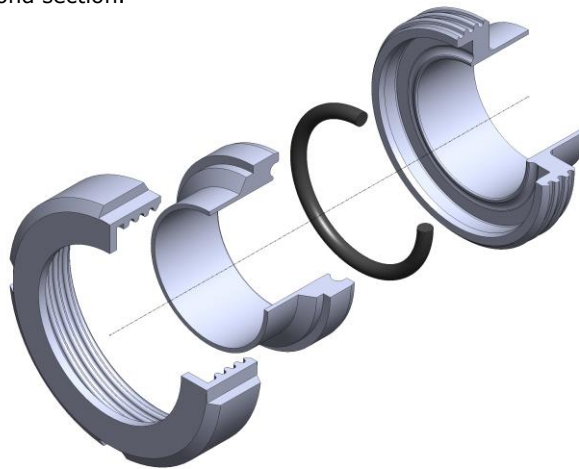
DIN 11864-1/DIN 11853-1 Aseptic Screwed Union for DIN 11866/11850

DIN 11864-1 / DIN 11853-1 Aseptic Screwed Union

This range of aseptic fittings has been developed by the German hygienic industry to meet the exacting needs of the food, chemical and pharmaceutical industries.

Three designs of pipe fittings have been tailored to accept 2 different styles of aseptic seals that effect a smooth interface within the pipe work whilst simultaneously achieving a metal to metal seat behind the joint.

The seal sections used are referenced as "Form A" and "Form B" and both have distinctive profiles that are easily recognised. Form A is an O Ring Joint whilst Form B is a 2-part Square seal with a secondary internal diamond section.



This design of fitting is based on the DIN 11851 Hygienic Screwed Union. This firmly established industry standard the union was used as the basis for the design upgrade where an Aseptic Joint replaced the convention D section seal.

Available with optional lengths to suit Orbital and Manual Welding, these unions have been designed to match tube and pipe specifications in DIN 11850; ISO 2037, ASME BPE 2002 and BS 4825 Part 1 and also ISO 1127 for schedule pipe.

Size range: 10mm to 100mm to standard and specials available up to 200mm

Materials: 316L SS

Related standards:

DIN 11864-1 Form A - Aseptic Screwed Union
DIN 11864-2 Form A - Aseptic Flange Union
DIN 11864-3 Form A - Aseptic Tri-Clamp Union
DIN 11866 / 11850 / 11865
ISO 1127
ISO 2037 / BS 4825 /ASME BPE 2014
DIN 11853 (Type 1 only)

Working Pressures:

DN10 to DN40	-	25 Bar / 2.5 MPa
NS40 to DN100	-	16 Bar / 1.6 MPa

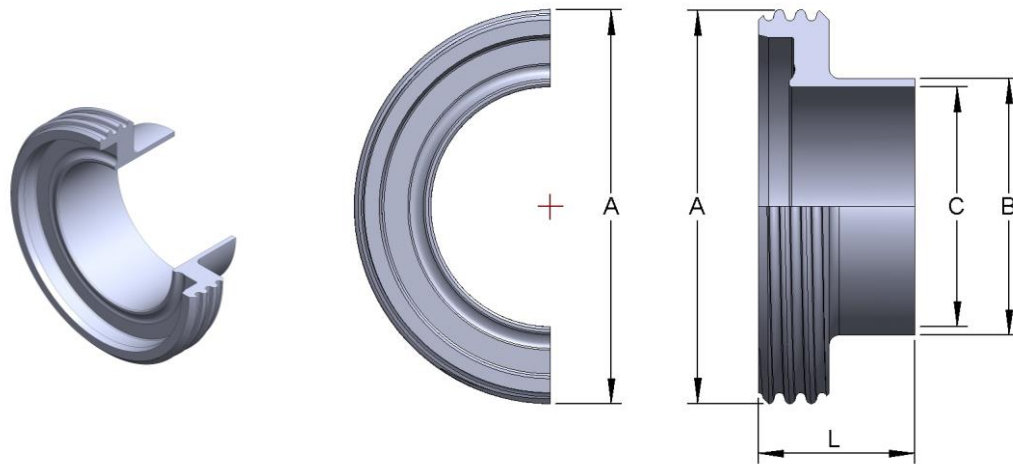
The pressures are calculated with the standard sealing materials and at temperatures between -10°C and +140°C

Dimensions are provided in good faith but may be subject to change, if dimensions are critical please call the office to confirm all sizes before placing an order.

[DS Aseptic Screwed Union DIN 11864-1 11866 V 1.4](#)

Page No: 1

**DIN 11864-1/11853-1 "Form A" Weld Male
316L SS - DIN 11866/DIN 11850**



Size	A	B	C	L1 (Orbital Weld) DIN 11864-1	L2 (Manual Weld) DIN 11853-1	Part No DIN 11864-1	Part No DIN 11853-1
DN 10	28 x 1/8"	13	10	41	19	A061-A010-64	A061-A010-53
DN 15	34 x 1/8"	19	16	41	19	A061-A015-64	A061-A015-53
DN 20	44 x 1/6"	23	20	43	21	A061-A020-64	A061-A020-53
DN 25	52 x 1/6"	29	26	43	26	A061-A025-64	A061-A025-53
DN 32	58 x 1/6"	35	32	48	30	A061-A032-64	A061-A032-53
DN 40	65 x 1/6"	41	38	48	31	A061-A040-64	A061-A040-53
DN 50	78 x 1/6"	53	50	48	31	A061-A050-64	A061-A050-53
DN 65	95 x 1/6"	70	66	60	36	A061-A065-64	A061-A065-53
DN 80	110 x 1/4"	85	81	64	42	A061-A080-64	A061-A080-53
DN 100	130 x 1/4"	104	100	64	50	A061-A100-64	A061-A100-53
DN 125	160 x 1/4"	129	125	68	-	A061-A125-64	-
DN 150	190 x 1/4"	154	150	75	-	A061-A150-64	-

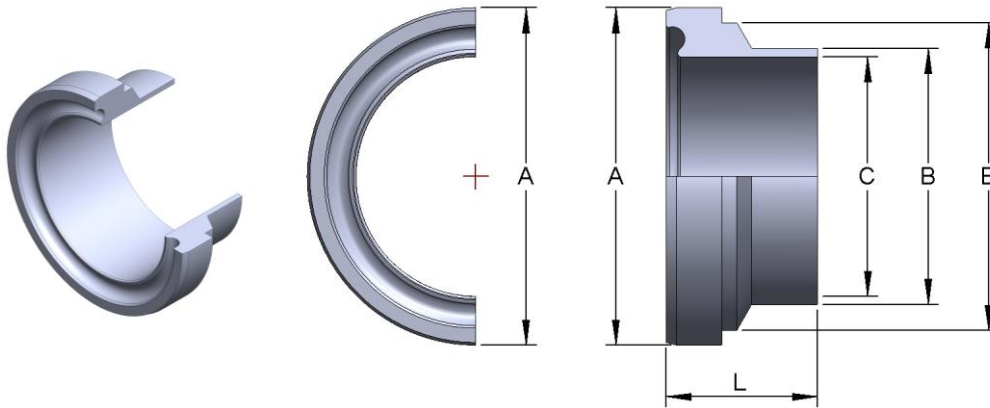
DN 125 and DN 150 Unions are not covered by the standard and are made to order specials.

Dimensions are provided in good faith but may be subject to change, if dimensions are critical please call the office to confirm all sizes before placing an order.

DS Aseptic Screwed Union DIN 11864-1 11866 V 1.4

Page No: 2

**DIN 11864-1/11853-1 "Form A" Weld Liner
316L SS - DIN 11866/DIN 11850**

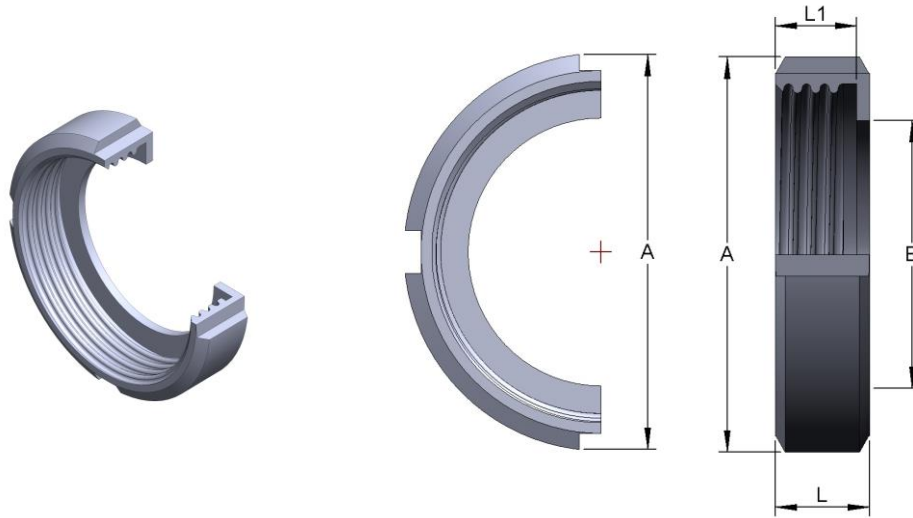


Size	A	B	C	L1 (Orbital Weld) DIN 11864-1	L2 (Manual Weld) DIN 11853-1	Part No DIN 11864-1	Part No DIN 11853-1
DN 10	21.9	13	10	39	17	A063-A010-64	A063-A010-53
DN 15	27.9	19	16	39	17	A063-A015-64	A063-A015-53
DN 20	35.9	23	20	38	18	A063-A020-64	A063-A020-53
DN 25	42.9	29	26	40	22	A063-A025-64	A063-A025-53
DN 32	48.9	35	32	47	25	A063-A032-64	A063-A032-53
DN 40	54.9	41	38	47	26	A063-A040-64	A063-A040-53
DN 50	66.9	53	50	48	30	A063-A050-64	A063-A050-53
DN 65	84.9	70	66	61	34	A063-A065-64	A063-A065-53
DN 80	98.9	85	81	61	38	A063-A080-64	A063-A080-53
DN 100	118.9	104	100	66	46	A063-A100-64	A063-A100-53
DN 125	148.8	129	125	63	-	A063-A125-64	-
DN 150	174.7	154	150	67	-	A063-A150-64	-

DN 125 and DN 150 Unions are not covered by the standard and are made to order specials.

Dimensions are provided in good faith but may be subject to change, if dimensions are critical please call the office to confirm all sizes before placing an order.

**DIN 11864-1/11853-1 "Form A" Slotted Nut
304 - DIN 11866/DIN 11850**



Size	A	B	Thread Detail	L	L1	Part No
DN 10	38	19	28 x 1/8"	18	15	A064-C010
DN 15	44	25	34 x 1/8"	18	15	A064-C015
DN 20	54	31	44 x 1/6"	20	17	A064-C020
DN 25	63	36	52 x 1/6"	21	18	A064-C025
DN 32	70	42	58 x 1/6"	21	18	A064-C032
DN 40	78	49	65 x 1/6"	21	18	A064-C040
DN 50	92	62	78 x 1/6"	22	19	A064-C050
DN 65	112	80	95 x 1/6"	25	21	A064-C065
DN 80	127	94	110 x 1/4"	29	25	A064-C080
DN 100	148	115	130 x 1/4"	31	26	A064-C100
DN 125	178	140	160 x 1/4"	35	30	A064-C125
DN 150	210	164	190 x 1/4"	40	34	A064-C150

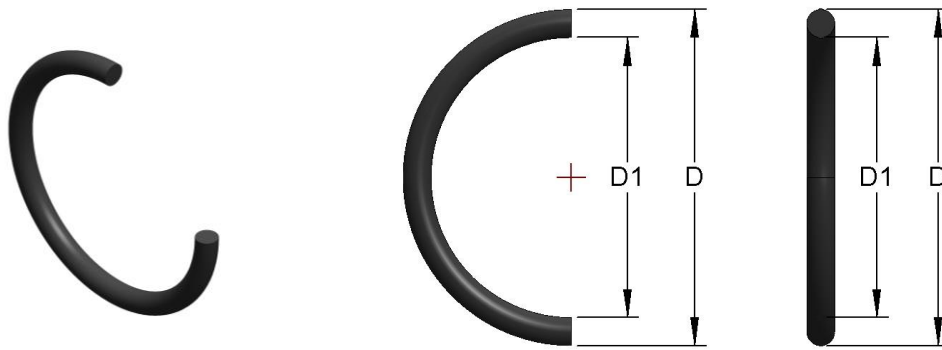
DN 125 and DN 150 Unions are not covered by the standard and are made to order specials.

Dimensions are provided in good faith but may be subject to change, if dimensions are critical please call the office to confirm all sizes before placing an order.

[DS Aseptic Screwed Union DIN 11864-1 11866 V 1.4](#)

Page No: 4

**DIN 11864/11853 "Form A" O Ring Union Seal
DIN 11866/DIN 11850**



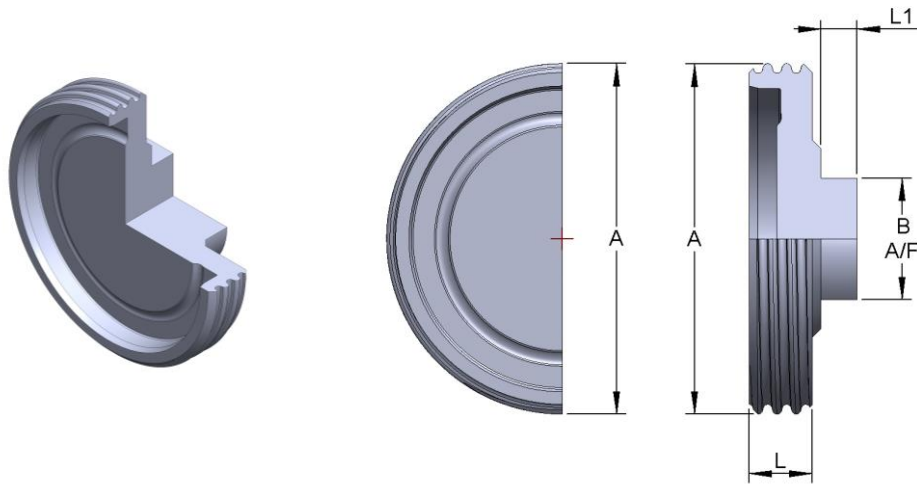
Size	D1	D	Section	Part No EPDM	Part No FKM
DN 10	12	19	3.5	A030-E010	A030-V010
DN 15	18	25	3.5	A030-E015	A030-V015
DN 20	22	29	3.5	A030-E020	A030-V020
DN 25	28	35	3.5	A030-E025	A030-V025
DN 32	34	44	5	A030-E032	A030-V032
DN 40	40	50	5	A030-E040	A030-V040
DN 50	52	62	5	A030-E050	A030-V050
DN 65	68	78	5	A030-E065	A030-V065
DN 80	83	93	5	A030-E080	A030-V080
DN 100	102	112	5	A030-E100	A030-V100
DN 125	127	137	5	A030-E125	A030-V125
DN 150	152	162	5	A030-E150	A030-V150

Dimensions are provided in good faith but may be subject to change, if dimensions are critical please call the office to confirm all sizes before placing an order.

[DS Aseptic Screwed Union DIN 11864-1 11866 V 1.4](#)

Page No: 5

**DIN 11864-1/11853-1 "Form A" Male Blank
316L SS - DIN 11866/DIN 11850**



Size	A	B	L1	L	Part No
DN 10	28 x 1/8"	22	10	12	A06D-A010
DN 15	34 x 1/8"	25	10	12	A06D-A015
DN 20	44 x 1/6"	25	10	14	A06D-A020
DN 25	52 x 1/6"	34	10	14	A06D-A025
DN 32	58 x 1/6"	34	10	14	A06D-A032
DN 40	65 x 1/6"	34	10	14	A06D-A040
DN 50	78 x 1/6"	34	10	14	A06D-A050
DN 65	95 x 1/6"	34	10	16	A06D-A065
DN 80	110 x 1/4"	34	10	20	A06D-A080
DN 100	130 x 1/4"	34	10	20	A06D-A100
DN 125	160 x 1/4"	48	10	-	A06D-A125
DN 150	190 x 1/4"	48	10	-	A06D-A150

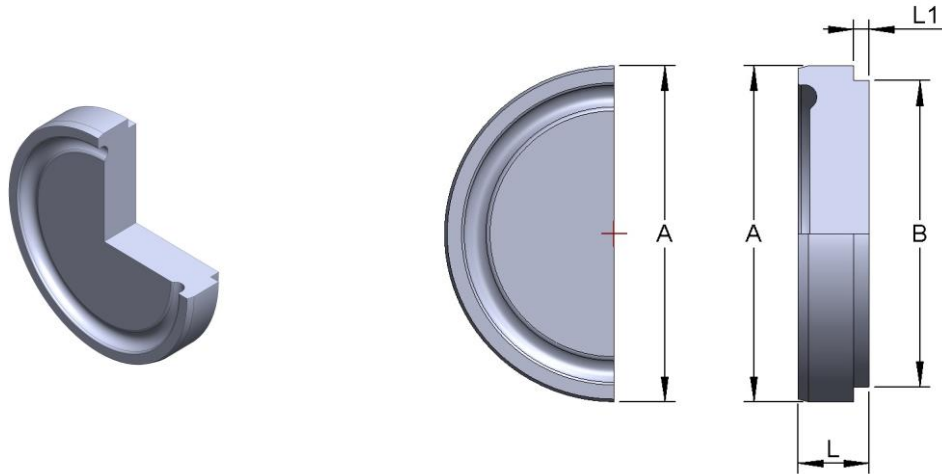
DN 125 and DN 150 Unions are not covered by the standard and are made to order specials.

Dimensions are provided in good faith but may be subject to change, if dimensions are critical please call the office to confirm all sizes before placing an order.

DS Aseptic Screwed Union DIN 11864-1 11866 V 1.4

Page No: 6

**DIN 11864-1/11853-1 "Form A" Blank Liner
316L SS - DIN 11866/DIN 11850**



Size	A	B	L	L1	Part No
DN 10	21.9	18	9	3	A06C-A010
DN 15	27.9	24	9	3	A06C-A015
DN 20	35.9	30	10	3	A06C-A020
DN 25	42.9	35	12	3	A06C-A025
DN 32	48.9	41	13	3	A06C-A032
DN 40	54.9	48	13	3	A06C-A040
DN 50	66.9	61	14	3	A06C-A050
DN 65	84.9	79	16	4	A06C-A065
DN 80	98.9	93	16	4	A06C-A080
DN 100	118.9	114	20	5	A06C-A100
DN 125	148.7	136.9	22	5	A06C-A125
DN 150	174.9	162.9	24	6	A06C-A150

DN 125 and DN 150 Unions are not covered by the standard and are made to order specials.

Dimensions are provided in good faith but may be subject to change, if dimensions are critical please call the office to confirm all sizes before placing an order.

DS Aseptic Screwed Union DIN 11864-1 11866 V 1.4

Page No: 7