

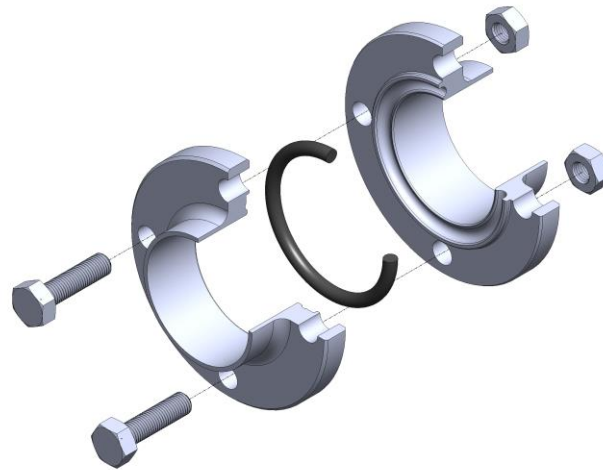
DIN 11864-2/DIN 11853-2 Aseptic Flange Union for BS 4825/ISO 2037/ASME BPE 2002

DIN 11864-2/DIN 11853-2 Aseptic Flange Union

This range of aseptic fittings has been developed by the German hygienic industry to meet the exacting needs of the food, chemical and pharmaceutical industries.

Three designs of pipe fittings have been tailored to accept 2 different styles of aseptic seals that effect a smooth interface within the pipe work whilst simultaneously achieving a metal to metal seat behind the joint.

The seal sections used are referenced as "Form A" and "Form B" and both have distinctive profiles that are easily recognised. Form A is an O Ring Joint whilst Form B is a 2-part Square seal with a secondary internal diamond section.



Available with optional lengths to suit Orbital and Manual Welding, these unions have been designed to match tube and pipe specifications in DIN 11850; ISO 2037, ASME BPE 2002 and BS 4825 Part 1 and also ISO 1127 for schedule pipe.

Size range: ½" to 4"

Materials: 316L SS

Related standards:

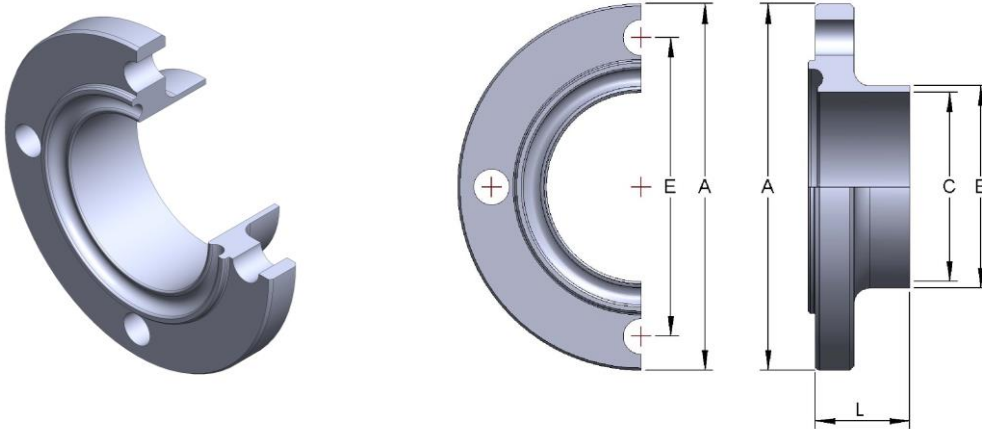
DIN 11864-1 Form A - Aseptic Screwed Union
DIN 11864-2 Form A - Aseptic Flange Union
DIN 11864-3 Form A - Aseptic Tri-Clamp Union
DIN 11866 / 11850 / 11865
ISO 1127
ISO 2037 / BS 4825 /ASME BPE 2014
DIN 11853 (Type 1 only)

Dimensions are provided in good faith but may be subject to change, if dimensions are critical please call the office to confirm all sizes before placing an order.

[DS Aseptic Flange Union DIN 11864-2 BS 4825 – ISO 2037 – ASME BPE 2002 V 1.1](#)

Page No: 1

**A06E – DIN 11864-2/11853-2 "Form A"
Male Nut Flange - 316L SS
BS 4825/ISO 2037/ASME BPE 2002**



Size	A	B	C	E Hole Detail	L1 (Orbital Weld) DIN 11864-2	L2 (Manual Weld) DIN 11853-2	Part No DIN 11864-2	Part No DIN 11853-2
½"	54	12.7	9.4	37 PCD (4 x Ø 9)	41.5	25.5	A06E-A013-64	A06E-A013-53
¾"	59	19.1	15.8	42 PCD (4 x Ø 9)	41.5	25.5	A06E-A019-64	A06E-A019-53
1"	66	25.4	22.1	49 PCD (4 x Ø 9)	41.5	25.5	A06E-A026-64	A06E-A026-53
1½"	79	38.1	34.8	62 PCD (4 x Ø 9)	46.5	25.5	A06E-A038-64	A06E-A038-53
2"	92	50.8	47.5	75 PCD (4 x Ø 9)	46.5	25.5	A06E-A051-64	A06E-A051-53
2½"	107	63.5	60.2	89 PCD (8 x Ø 9)	55.5	25.5	A06E-A064-64	A06E-A064-53
3"	125	76.2	72.9	104 PCD (8 x Ø 11)	57.5	25.5	A06E-A076-64	A06E-A076-53
4"	157	101.6	97.4	135 PCD (8 x Ø 11)	59.5	27.5	A06E-A102-64	A06E-A102-53

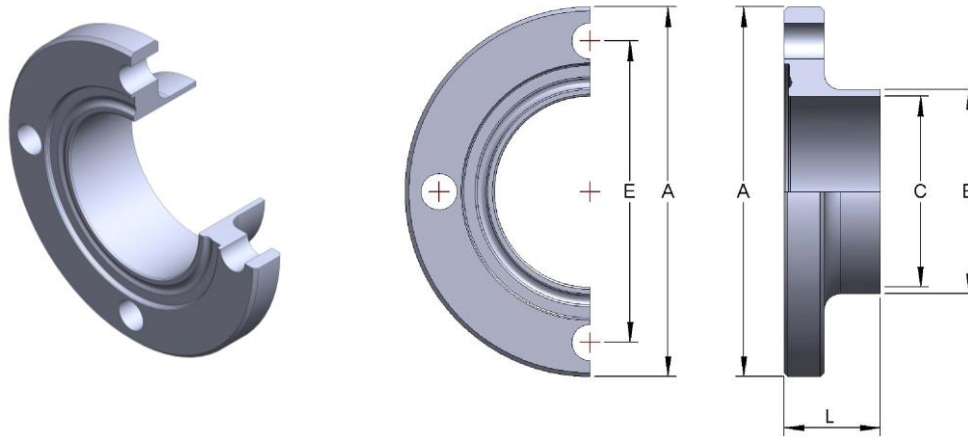
Dimension "L" includes the sealing face raised spigot

Dimensions are provided in good faith but may be subject to change, if dimensions are critical please call the office to confirm all sizes before placing an order.

DS Aseptic Flange Union DIN 11864-2 BS 4825 – ISO 2037 – ASME BPE 2002 V 1.1

Page No: 2

**A06F – DIN 11864-2/11853-2 "Form A"
Female Liner Flange - 316L SS
BS 4825/ISO 2037/ASME BPE 2002**



Size	A	B	C	E Hole Detail	L1 (Orbital Weld) DIN 11864-2	L2 (Manual Weld) DIN 11853-2	Part No DIN 11864-2	Part No DIN 11853-2
½"	54	12.7	9.4	37 PCD (4 x Ø 9)	40	24	A06F-A013-64	A06F-A013-53
¾"	59	19.1	15.8	42 PCD (4 x Ø 9)	40	24	A06F-A019-64	A06F-A019-53
1"	66	25.4	22.1	49 PCD (4 x Ø 9)	40	24	A06F-A026-64	A06F-A026-53
1½"	79	38.1	34.8	62 PCD (4 x Ø 9)	45	24	A06F-A038-64	A06F-A038-53
2"	92	50.8	47.5	75 PCD (4 x Ø 9)	45	24	A06F-A051-64	A06F-A051-53
2½"	107	63.5	60.2	89 PCD (8 x Ø 9)	54	24	A06F-A064-64	A06F-A064-53
3"	125	76.2	72.9	104 PCD (8 x Ø 11)	56	24	A06F-A076-64	A06F-A076-53
4"	157	101.6	97.4	135 PCD (8 x Ø 11)	58	26	A06F-A102-64	A06F-A102-53

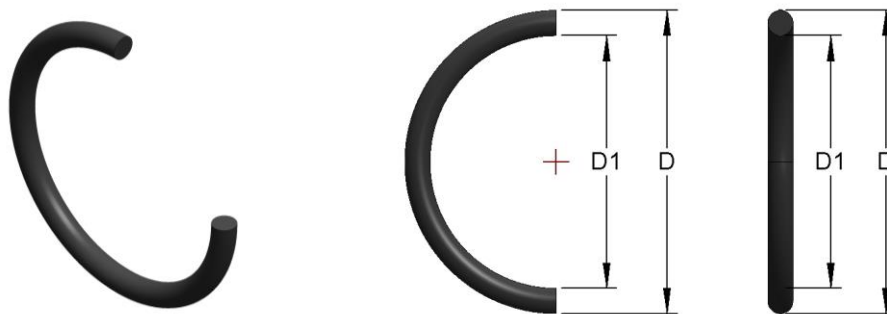
Dimension "L" includes the sealing face raised spigot

Dimensions are provided in good faith but may be subject to change, if dimensions are critical please call the office to confirm all sizes before placing an order.

DS Aseptic Flange Union DIN 11864-2 BS 4825 – ISO 2037 – ASME BPE 2002 V 1.1

Page No: 3

**DIN 11864/11853 "Form A" O Ring Union Seal
BS 4825/ISO 2037/ASME BPE 2002**



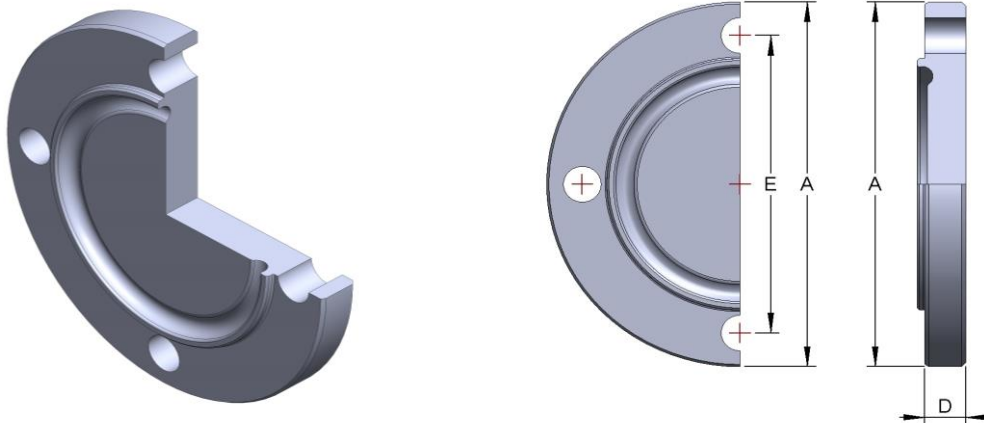
Size	D1	D	Section	Part No EPDM	Part No FKM
1/2"	12	19	3.5	A030-E013	A030-V013
3/4"	18	25	3.5	A030-E019	A030-V019
1"	24	31	3.5	A030-E026	A030-V026
1 1/2"	37	44	3.5	A030-E038	A030-V038
2"	50	60	5	A030-E051	A030-V051
2 1/2"	62	72	5	A030-E064	A030-V064
3"	75	85	5	A030-E076	A030-V076
4"	100	110	5	A030-E102	A030-V102

Dimensions are provided in good faith but may be subject to change, if dimensions are critical please call the office to confirm all sizes before placing an order.

DS Aseptic Flange Union DIN 11864-2 BS 4825 – ISO 2037 – ASME BPE 2002 V 1.1

Page No: 4

**A06G – DIN 11864-2/11853-2 “Form A”
Male Nut Flange Blank - 316L SS
BS 4825/ISO 2037/ASME BPE 2002**



Size	A	E Hole Detail	D	Part No
1/2"	54	37 PCD (4 x Ø 9)	11.5	A06G-A013
3/4"	59	42 PCD (4 x Ø 9)	11.5	A06G-A019
1"	66	49 PCD (4 x Ø 9)	11.5	A06G-A026
1 1/2"	79	62 PCD (4 x Ø 9)	11.5	A06G-A038
2"	92	75 PCD (4 x Ø 9)	11.5	A06G-A051
2 1/2"	107	89 PCD (8 x Ø 9)	11.5	A06G-A064
3"	125	104 PCD (8 x Ø 11)	13.5	A06G-A076
4"	157	135 PCD (8 x Ø 11)	15.5	A06G-A102

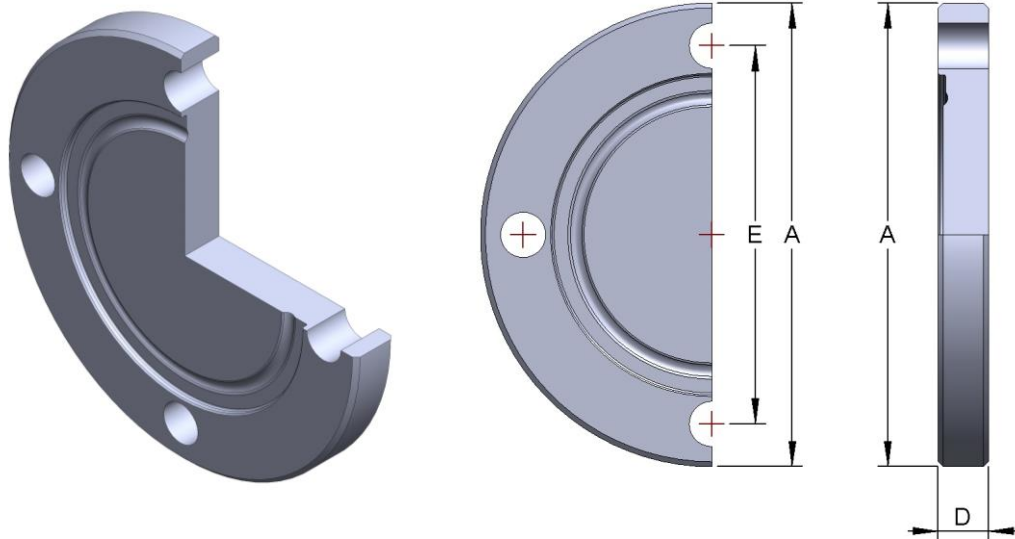
Dimension "D" includes the sealing face raised spigot

Dimensions are provided in good faith but may be subject to change, if dimensions are critical please call the office to confirm all sizes before placing an order.

DS Aseptic Flange Union DIN 11864-2 BS 4825 – ISO 2037 – ASME BPE 2002 V 1.1

Page No: 5

**A06H – DIN 11864-2/11853-2 “Form A”
Female Liner Flange Blank - 316L SS
BS 4825/ISO 2037/ASME BPE 2002**



Size	A	E Hole Detail	D	Part No
½"	54	37 PCD (4 x Ø 9)	10	A06H-A013
¾"	59	42 PCD (4 x Ø 9)	10	A06H-A019
1"	66	49 PCD (4 x Ø 9)	10	A06H-A026
1½"	79	62 PCD (4 x Ø 9)	10	A06H-A038
2"	92	75 PCD (4 x Ø 9)	10	A06H-A051
2½"	107	89 PCD (8 x Ø 9)	10	A06H-A064
3"	125	104 PCD (8 x Ø 11)	12	A06H-A076
4"	157	135 PCD (8 x Ø 11)	14	A06H-A102

Dimension "D" includes the sealing face raised spigot

Dimensions are provided in good faith but may be subject to change, if dimensions are critical please call the office to confirm all sizes before placing an order.

DS Aseptic Flange Union DIN 11864-2 BS 4825 – ISO 2037 – ASME BPE 2002 V 1.1

Page No: 6