

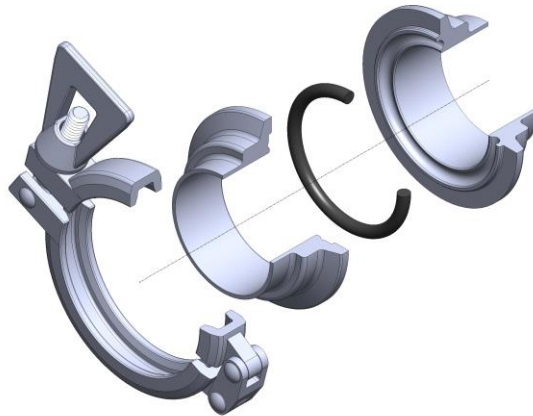
DIN 11864-3/DIN 11853-3 Aseptic Clamp Unions for ASME BPE 2014 / BS 4825 / DIN11866-Table C

DIN 11864-3/DIN 11853-3 Aseptic Clamp Unions

This range of aseptic fittings has been developed by the German hygienic industry to meet the exacting needs of the pharmaceutical, food and fine chemical industries.

Three designs of pipe fittings have been tailored to accept 2 different types of aseptic seals that effect a smooth interface within the pipe work whilst simultaneously achieving a metal to metal seat behind the joint.

The seal sections used are referenced as "Form A" and "Form B" and both have distinctive profiles that are easily recognised. Form A is an O Ring Joint whilst Form B is a 2-part Square section seal with a secondary internal diamond section.



The Type 3 design is based on the 3A Clamp union and uses the flange diameters common to the Metric DIN 32676 Standard.

Available with optional lengths to suit Orbital and Manual Welding, these unions have been designed to match tube and pipe specifications including DIN 11850 / 11866; ISO 2037; ASME BPE 2014 and BS 4825 Part 1 and also the ISO 1127 Standard for schedule pipe.

Size range: ½" to 4".

Materials: 316L SS and 1.4435

Related standards:

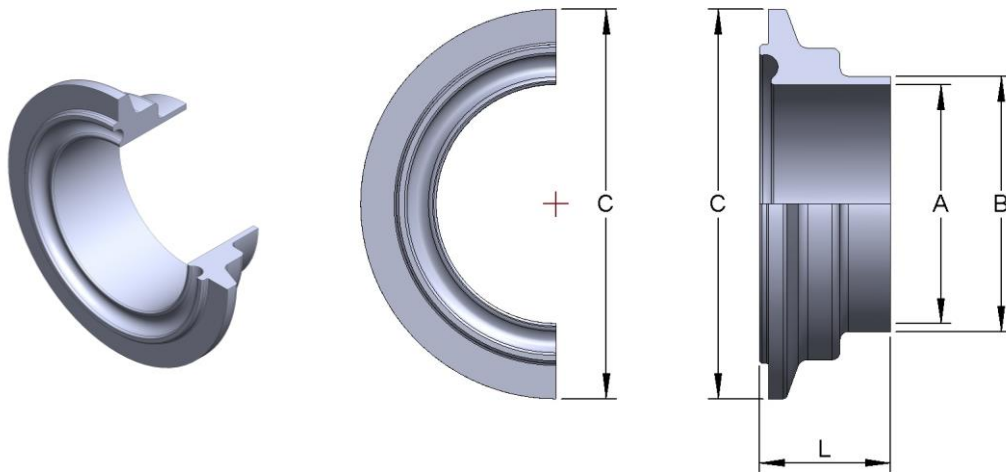
DIN 11864-1 Form A – Aseptic Screwed Union
DIN 11864-2 Form A - Aseptic Flange Union
DIN 11864-3 Form A - Aseptic Clamp Union
DIN 11866 / 11850 / 11865
ISO 1127
BS 4825 / ASME BPE 2014
DIN 11853
DIN32676 Table C
DIN11866 Table C

Dimensions are provided in good faith but may be subject to change, if dimensions are critical please call the office to confirm all sizes before placing an order.

[DS Aseptic Clamp Union DIN 11864-3 BS 4825 / ISO 2037 / ASME BPE 2002 V 1.4](#)

Page No: 1

**A140 – DIN 11864-3/11853-3 “Form A”
Clamp Ferrule Male - 316L SS
BS 4825 / ASME BPE 2014 / DIN11866-C**



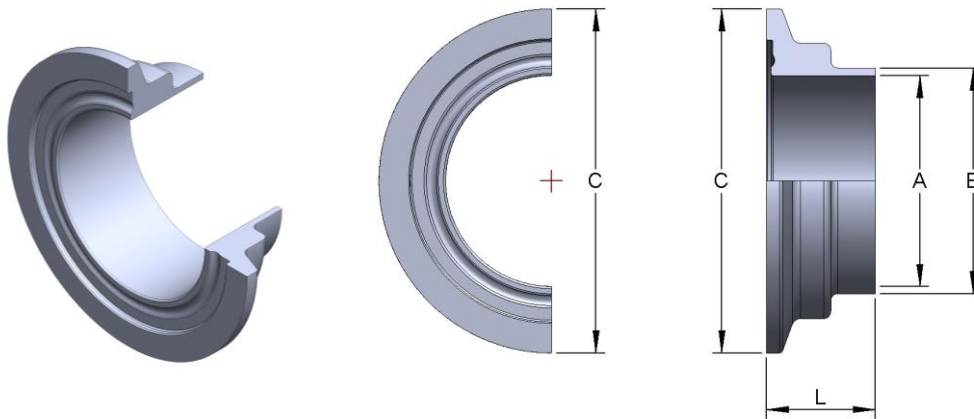
Size	A	B	C	L1 (Orbital Weld) DIN 11864-3	L2 (Manual Weld) DIN 11853-3	Part No DIN 11864-3	Part No DIN 11853-3
½"	9.4	12.7	34.0	39.5	23.5	A140-A013-64	A140-A013-53
¾"	15.8	19.1	34.0	39.5	23.5	A140-A019-64	A140-A019-53
1"	22.1	25.4	50.5	40.0	23.5	A140-A026-64	A140-A026-53
1½"	34.8	38.1	64.0	45.5	25.5	A140-A038-64	A140-A038-53
2"	47.5	50.8	77.5	46.0	26.0	A140-A051-64	A140-A051-53
2½"	60.2	63.5	91.0	59.0	29.0	A140-A064-64	A140-A064-53
3"	72.9	76.2	106.0	60.0	30.0	A140-A076-64	A140-A076-53
4"	97.4	101.6	130.0	61.0	31.0	A140-A102-64	A140-A102-53

Dimensions are provided in good faith but may be subject to change, if dimensions are critical please call the office to confirm all sizes before placing an order.

DS Aseptic Clamp Union DIN 11864-3 BS 4825 / ISO 2037 / ASME BPE 2002 V 1.4

Page No: 2

**A141 – DIN 11864-3/11853-3 “Form A”
Clamp Ferrule Female - 316L SS
BS 4825/ASME BPE 2014 / DIN11866-C**



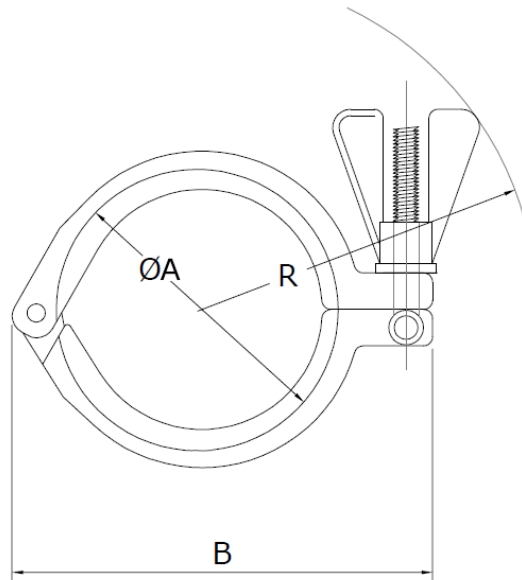
Size	A	B	C	L1 (Orbital Weld) DIN 11864-3	L2 (Manual Weld) DIN 11853-3	Part No DIN 11864-3	Part No DIN 11853-3
1/2"	9.4	12.7	34.0	38.0	22.0	A141-A013-64	A141-A013-53
3/4"	15.8	19.1	34.0	38.0	22.0	A141-A019-64	A141-A019-53
1"	22.1	25.4	50.5	38.5	22.0	A141-A026-64	A141-A026-53
1 1/2"	34.8	38.1	64.0	44.0	24.0	A141-A038-64	A141-A038-53
2"	47.5	50.8	77.5	44.5	24.5	A141-A051-64	A141-A051-53
2 1/2"	60.2	63.5	91.0	57.5	27.5	A141-A064-64	A141-A064-53
3"	72.9	76.2	106.0	58.5	28.5	A141-A076-64	A141-A076-53
4"	97.4	101.6	130.0	59.5	29.5	A141-A102-64	A141-A102-53

Dimensions are provided in good faith but may be subject to change, if dimensions are critical please call the office to confirm all sizes before placing an order.

[DS Aseptic Clamp Union DIN 11864-3 BS 4825 / ISO 2037 / ASME BPE 2002 V 1.4](#)

Page No: 3

**3017 – DIN 11864-3/11853-3 Clamp - 304 SS
BS 4825/ASME BPE 2014 / DIN11866-C**



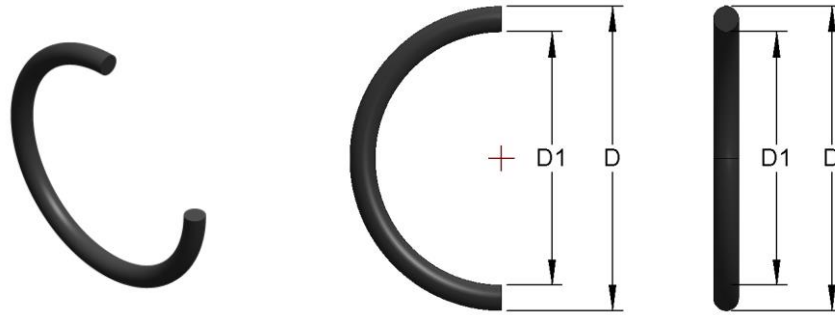
Size	A	B	R	Part No
1/2"	34	69	73	3017-C010-20
3/4"	34	69	73	3017-C010-20
1"	50.5	85	78	3017-C026-038
1 1/2"	64	99	82	3017-C051
2"	77.5	112	89	3017-C064
2 1/2"	91	126	96	3017-C076
3"	106	140	103	3017-C089
4"	130	165	115	3017-C114

Dimensions are provided in good faith but may be subject to change, if dimensions are critical please call the office to confirm all sizes before placing an order.

[DS Aseptic Clamp Union DIN 11864-3 BS 4825 / ISO 2037 / ASME BPE 2002 V 1.4](#)

Page No: 4

**A030 – DIN 11864/11853 "Form A" O Ring Union Seal
BS 4825 /ASME BPE 2014 / DIN11866-C**



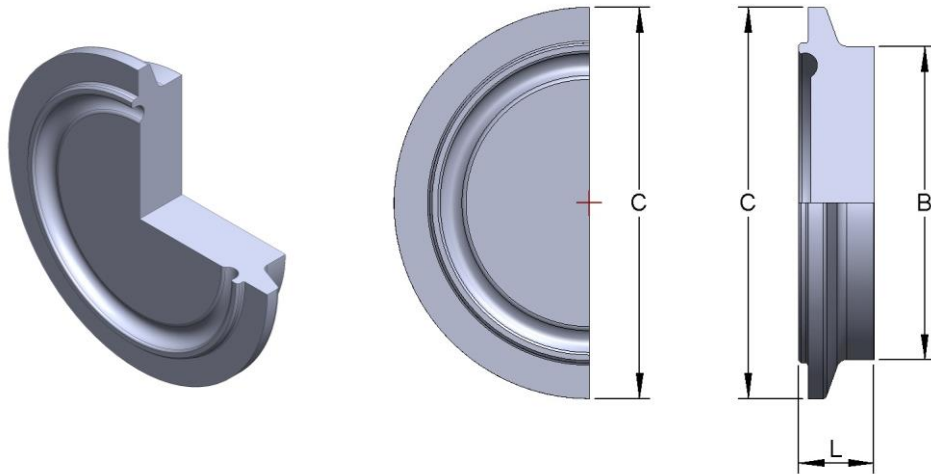
Size	D1	D	Section	Part No EPDM	Part No FKM
1/2"	12	19	3.5	A030-E013	A030-V013
3/4"	18	25	3.5	A030-E019	A030-V019
1"	24	31	3.5	A030-E026	A030-V026
1.1/2"	37	44	3.5	A030-E038	A030-V038
2"	50	60	5	A030-E051	A030-V051
2.1/2"	62	72	5	A030-E064	A030-V064
3"	75	85	5	A030-E076	A030-V076
4"	100	110	5	A030-E102	A030-V102

Dimensions are provided in good faith but may be subject to change, if dimensions are critical please call the office to confirm all sizes before placing an order.

DS Aseptic Clamp Union DIN 11864-3 BS 4825 / ISO 2037 / ASME BPE 2002 V 1.4

Page No: 5

**A142 - DIN 11864-3/11853-3 "Form A"
Clamp Blank Male - 316L SS
BS 4825 / ASME BPE 2014 / DIN11866-C**



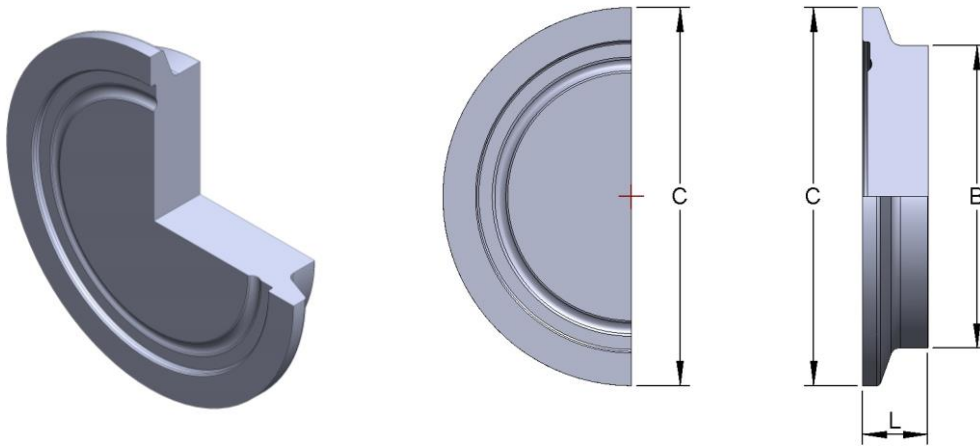
Size	B	C	L	Part No
1/2"		34.0	13	A142-A013
3/4"		34.0	13	A142-A019
1"		50.5	13	A142-A026
1 1/2"		64.0	13	A142-A038
2"		77.5	15	A142-A051
2 1/2"		91.0	15	A142-A064
3"		106.0	15	A142-A076
4"		130.0	15	A142-A102

Dimensions are provided in good faith but may be subject to change, if dimensions are critical please call the office to confirm all sizes before placing an order.

DS Aseptic Clamp Union DIN 11864-3 BS 4825 / ISO 2037 / ASME BPE 2002 V 1.4

Page No: 6

**A143 - DIN 11864-3/11853-3 "Form A"
Clamp Blank Female - 316L SS
BS 4825 / ASME BPE 2014 / DIN11866-C**



Size	B	C	L	Part No
1/2"		34.0	11.5	A143-A013
3/4"		34.0	11.5	A143-A019
1"		50.5	11.5	A143-A026
1 1/2"		64.0	11.5	A143-A038
2"		77.5	13.5	A143-A051
2 1/2"		91.0	13.5	A143-A064
3"		106.0	13.5	A143-A076
4"		130.0	13.5	A143-A102

Dimensions are provided in good faith but may be subject to change, if dimensions are critical please call the office to confirm all sizes before placing an order.

DS Aseptic Clamp Union DIN 11864-3 BS 4825 / ISO 2037 / ASME BPE 2002 V 1.4

Page No: 7