

611N – Screwed Union Sight Glasses

Screwed Union Sight Glasses are based on the DIN 11851 hygienic union.

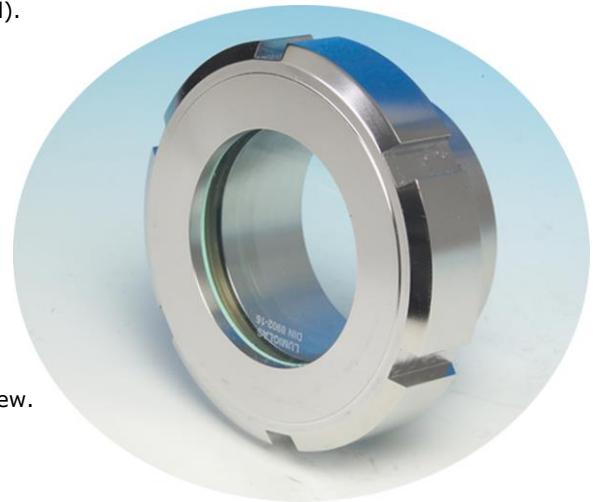
We offer a range of sizes in this design, from the DN50 to DN150 that allows for an array of potential applications in the process industries from pipelines to vessels, tanks, mixers and silos.

The 316L SS male fitting is welded into the wall of the pipeline or vessel and the 304SS slotted nut sandwiches the view glass panel between the internal "Wet" hygienic process seal and the upper "Dry" seal (Klingersil).

Its compact design also makes this unit ideal for inspection use in small bio-reactor vessels and the lids of manways or inspection hatches.

Used widely in the food, dairy, beverage, cosmetic and pharmaceutical industries, these units can be enhanced by the addition of optional wiper assemblies and also low voltage 24v/IP 65 sight & light assemblies.

Sight and light glass arrangements can be combined in one integral "Sight / Light Glass" assembly or used in tandem; one unit fitted with the light and the separate unit located to view.



General:

Size range from DN50 to DN150

View glass diameter from Ø50 to 150mm

Working temperatures up to 150°C with toughened soda lime glass, while 280°C is possible with toughened borosilicate glass (DIN 8902).

Standard operating pressures - 6 bar, with higher pressures available on request.

The sight glass is suitable for vacuum use.
(Please check at enquiry stage).

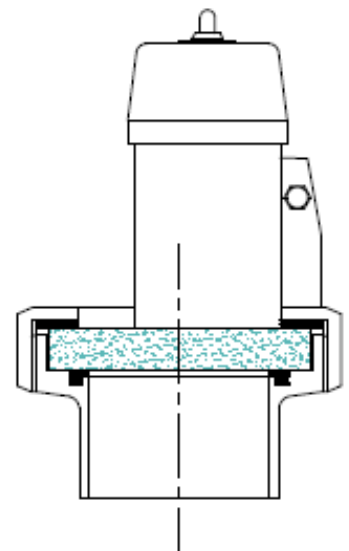
Options:

Soda lime and borosilicate glass view ports to DIN 8902

Range of food grade seal materials including Buna, Silicone, Viton® and PTFE

Wetted parts available in 316L 1.4404, 316Ti 1.4571, 304SS 1.4401 and exotic alloys as specials

IP65 rated low voltage 24v / 12V lights with 20 to 50 Watt halogen lamps



Low voltage assemblies are only suitable for use in non explosive hazardous areas.

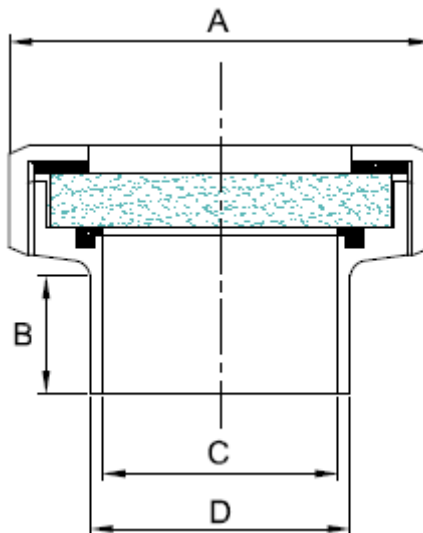
Viton® is a registered trade name of DuPont.

Dimensions are provided in good faith but may be subject to change, if dimensions are critical please call the office to confirm all sizes before placing an order.

[DS 611N Screwed Union Sight Glasses V 1.2](#)

Page No: 1

611N – Screwed Union Sight Glass



Part No	Size	A	B	C	D	View Port Ø
611N-A050	DN050	92	17	50	53	50
611N-A065	DN065	112	25	66	70	65
611N-A080	DN080	127	28	81	85	80
611N-A100	DN100	148	38	100	104	100
611N-A125	DN125	178	38	125	129	125
611N-A150	DN150	210	38	150	154	150

Parts List:

1. DIN 11851 Weld Male, 316L SS
2. DIN 11851 Slotted Nut, 304SS
3. Dry Seal – Klingersil
4. View Glass Panel
5. Wet Seal – Buna, Silicone, Viton® & PTFE

Viton® is a registered trade name of DuPont

Dimensions are provided in good faith but may be subject to change, if dimensions are critical please call the office to confirm all sizes before placing an order.

[DS 611N Screwed Union Sight Glasses V 1.2](#)

Page No: 2