

Perforated Mesh Filters & Strainers

Alchem Process Ltd offer a range of industry standard cartridge type perforated strainers in 316L stainless steel that can be fitted "In-Line" or as a standard 90° "Angle Strainer". The internal cartridge element is easily removed and fully dismantlable. The cartridge is supplied with 1mm perforations as standard and this can be lined internally with a woven mesh gauze for more accurate particle removal. The strainer's design has been popular with the brewing and dairy industries since the 1960's and the strainers are used to remove foreign bodies such as fruit skins and particles from products such as milk, beer and juices. This helps to protect equipment like pumps, spray nozzles, valves, heat exchanges, homogenisers and flow meters.

The strainers are offered with a variety of end connections to suit the hygienic and sanitary industries. The standard strainer housing is opened and closed using a DIN11851 nut and the cartridge assembly is secured using Allen Bolts. The strainers with clamp ferrule connections also use a clamp to close the housings.

The standard seals and O Rings are supplied in EPDM and optional materials are available in FKM and Nitrile rubber.

Working pressure:

Maximum operating pressure 5 bars

End connections:

Plain butt weld ends in both inch and DIN metric tube sizes

Clamp Ferrules
DIN 11851 Males
RJT Males
SMS Males
IDF Males

Pore sizes and meshes:

The standard cartridge element is supplied with 1mm perforations and specials are also available with 0.5mm, 2.0mm and 3.0mm hole sizes.

Woven mesh liners are offered on request from 80 to 500 mesh

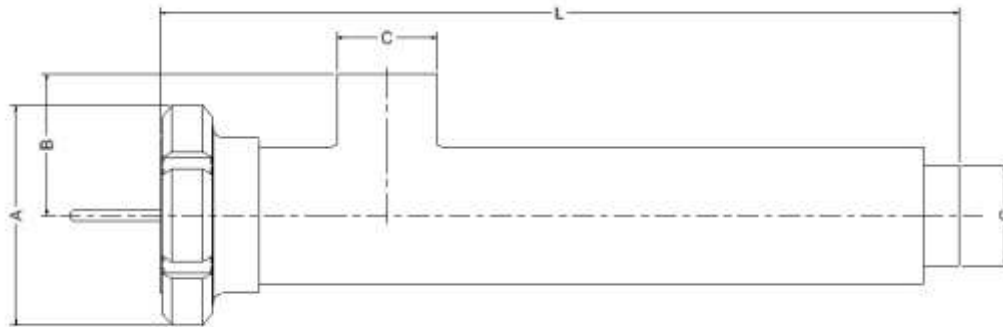
Finish:

The body is supplied with a bright base mirror finish externally while the internals are offered in a standard 120 grit polish. Specific RA finishes are possible on request.

Spares:

Replacement perforated cartridge
screens and meshes
O Rings
Tie bars

208C - 90° Angle Strainer with Perforated Element Plain Butt Weld Ends - Inch Tube Sizes



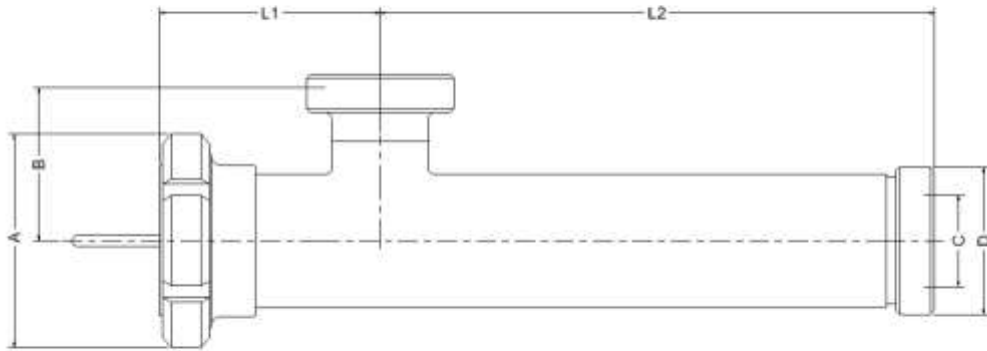
Size	A	B	C1	C2	D - Thread	Weight	Part No:
1"	112	70	25.4	25.4	52-6	3.10	208C-A026
1.1/2"	112	70	38.1	38.1	65-6	3.10	208C-A038
2"	112	72	50.8	50.8	78-6	3.40	208C-A051
2.1/2"	127	85	63.4	63.4	95-6	4.80	208C-A064
3"	148	96	76.2	76.2	110-4	5.90	208C-A076
4"	148	117	101.6	101.6	130-4	7.20	208C-A102

Options:

- Standard perforated element supplied with 1mm holes
- Special elements available 0.5mm, 2.0mm and 3mm holes
- Internal screens are available from 80 to 500 meshes
- Internal surface finish 120 grain
- Maximum working pressure 5 Bar



608C - 90° Angle Strainer with Perforated Element DIN 11851 Male Connections



Size	A	B	L1	L2	D - Thread	Weight	Part No:
25	112	70	100	200	52-6	3.36	608C-A025
32	112	70	100	200	58-6	3.44	608C-A032
40	112	70	100	200	65-6	3.52	608C-A040
50	112	72	115	283	78-6	3.96	608C-A050
65	127	85	117	378	95-6	5.56	608C-A065
80	148	96	131	422	110-4	7.10	608C-A080
100	148	117	120	522	130-4	9.20	608C-A100
104	148	117	120	522	130-4	9.20	608C-A104

Options:

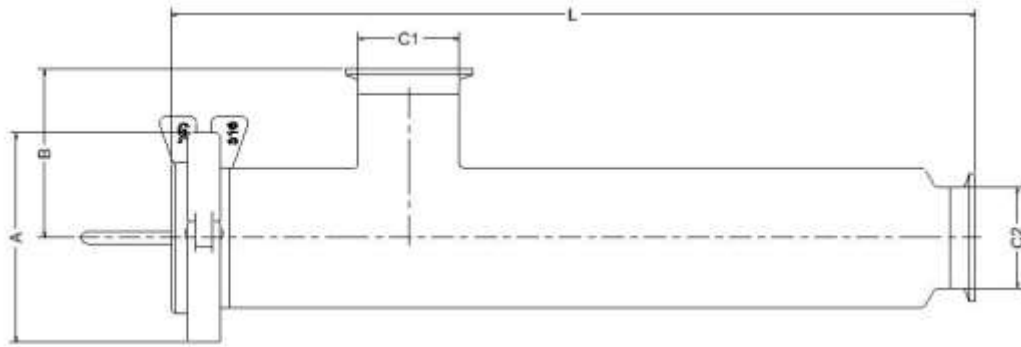
- Standard perforated element supplied with 1mm holes
- Special elements available 0.5mm, 2.0mm and 3mm holes
- Internal screens are available from 80 to 500 meshes
- Internal surface finish 120 grain
- Maximum working pressure 5 Bar



DS 608C-E Perf Strainer V1.1 07-2021

Page No. 2

308C - 90° Angle Strainer with Perforated Element Clamp Ferrule Ends - Inch Tube Sizes



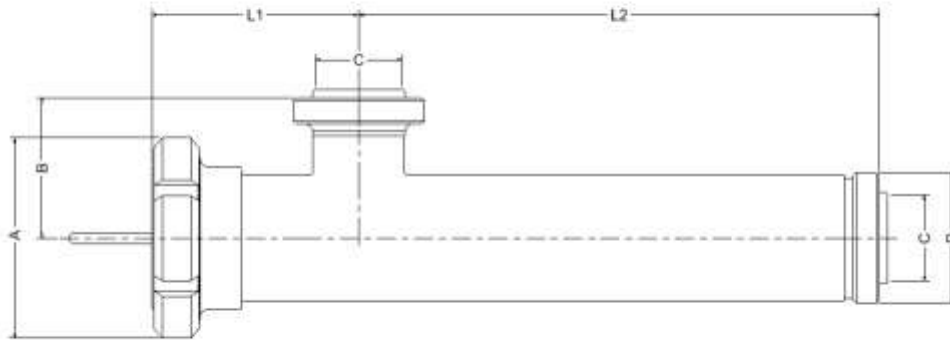
Size	A	B	C1	C2	Clamp Size	Weight	Part No:
1"	112	70	25.4	25.4		3.10	308C-A026
1.1/2"	112	70	38.1	38.1		3.10	308C-A038
2"	112	72	50.8	50.8		3.40	308C-A051
2.1/2"	127	85	63.4	63.4		4.80	308C-A064
3"	148	96	76.2	76.2		5.90	308C-A076
4"	148	117	101.6	101.6		7.20	308C-A102

Options:

- Standard perforated element supplied with 1mm holes
- Special elements available 0.5mm, 2.0mm and 3mm holes
- Internal screens are available from 80 to 500 meshes
- Internal surface finish 120 grain
- Maximum working pressure 5 Bar



508C - 90° Angle Strainer with Perforated Element RJT Male Ends - Inch Tube Sizes



Size	A	B	L1	L2	D - Thread	Weight	Part No:
1"	112	70	99	207	46-8	3.30	508C-A026
1.1/2"	112	70	99	207	58-8	3.40	508C-A038
2"	112	72	115	290	73-6	3.87	508C-A051
2.1/2"	127	85	117	386	85-6	5.38	508C-A064
3"	148	96	131	430	98-6	6.63	508C-A076
4"	148	117	120	532	123-6	8.60	508C-A102

Options:

- Standard perforated element supplied with 1mm holes
- Special elements available 0.5mm, 2.0mm and 3mm holes
- Internal screens are available from 80 to 500 meshes
- Internal surface finish 120 grain
- Maximum working pressure 5 Bar

