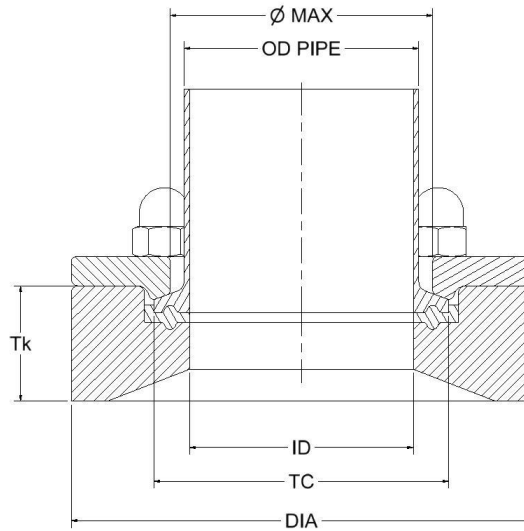


317N - AA Connect – Aseptic Tank Nozzle ASME BPE



Size	TC	ID	OD Pipe	Ø Max	Dia	TK Std	TK 1	TK 2	TK 3
1/2"	25.0	9.4	12.7	20.0	55.0	15.0	25.0	38.0	51.0
3/4"	25.0	15.8	19.1	20.0	55.0	15.0	25.0	38.0	51.0
1"	50.4	22.1	25.4	45.0	85.0	17.0	25.0	38.0	51.0
1 1/2"	50.4	34.8	38.1	45.0	85.0	17.0	25.0	38.0	51.0
2"	64.0	47.5	50.8	57.0	100.0	17.0	25.0	38.0	51.0
2 1/2"	77.5	60.2	63.5	71.0	112.0	17.0	25.0	38.0	51.0
3"	91.0	72.9	76.2	85.0	130.0	20.0	25.0	38.0	51.0
4"	119.0	97.6	101.6	113.0	170.0	20.0	25.0	38.0	51.0
6"	166.7	146.8	152.4	161.0	220.0	30.0	0.0	0.0	0.0
8"	217.5	197.7	203.2	210.0	290.0	35.0	0.0	0.0	0.0
10"	268.5	248.7	254.0	260.0	350.0	45.0	0.0	0.0	0.0

TK dimensions refer to the thickness of the base flange and several are available to suit your application.

Standards:

Dimensionally in accordance with ASME BPE DT-22 clamp ferrules and designed to be used in accordance with the PED 97/23/CE directive for Europe, ASME V111 Div. 2 for the USA.

Design Pressure: -1.00 to +7 Bar g

Design Temperature: -80°C to +200°C

Materials:

Welding Flange –ASTM A479 /ASTM A182 – 316L / 1.4404 & 1.4435 on request
 Lock Rings ASTM A479 / ASTM A182 – 316L / 1.4404
 Bolts ASTM AA193 B8 – 304 – 1.4301
 Nuts ASTM AA193 B8 – 304 – 1.4301

Surface Finish: Standard internal finish 0.6 µm Ra or better

Marking: Marked with the material heat number and company part number