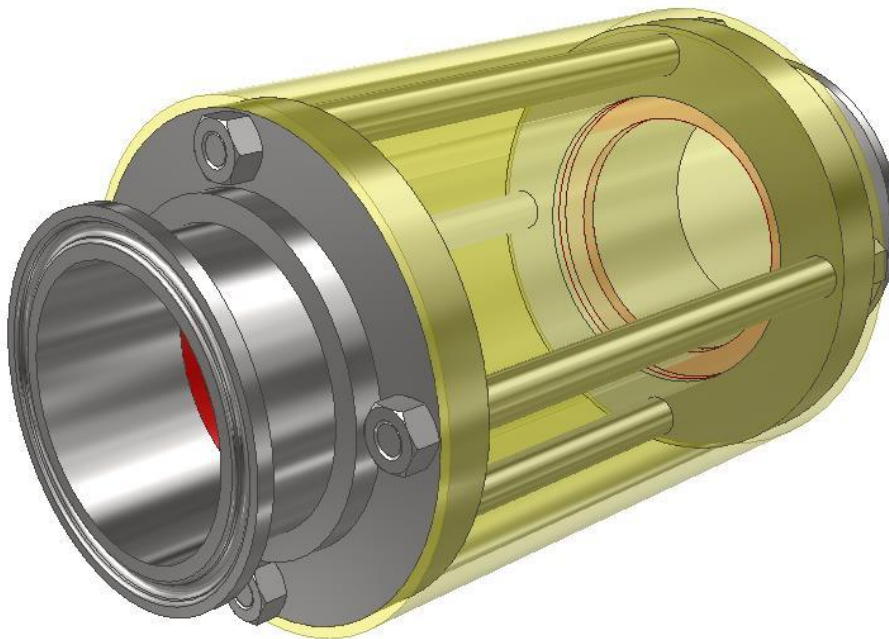


311L – In-Line Sight Glasses with Perspex Shroud

General:

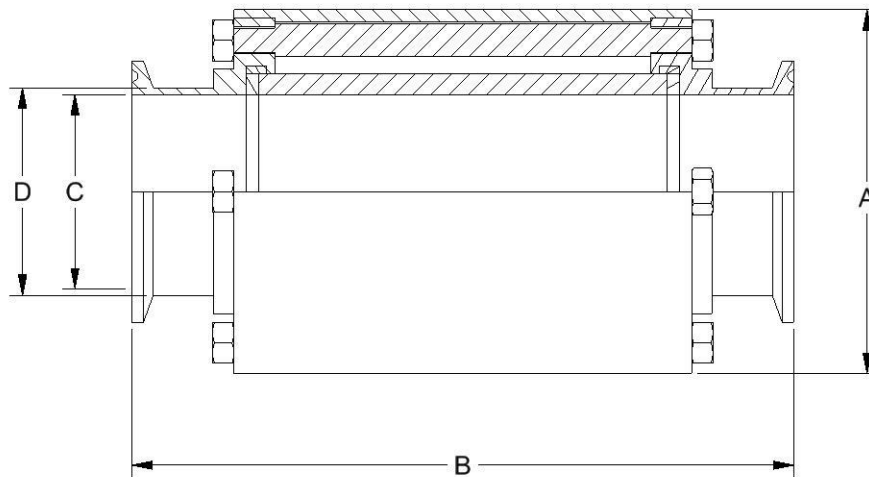
We offer a range of tubular sight glass / flow indicator systems and this design is offered with a toughened Borosilicate glass inner tube and a Plexiglass outer safety shield. The sight glass is offered with four tie-rods to stabilise the unit and help to absorb vibrations and protect the glass. The cushion seals are offered in a choice of elastomer materials such as EPDM, Silicone and Viton.



Features & Options:

- Cushion seal materials EPDM, Silicone and Viton®
- End connections Butt Weld, Clamp Ferrule, DIN 11851 and SMS
- 4 tie rods to stabilise & absorb vibration in the pipework
- Maximum working pressure - 16 Bar at 1"
- Maximum working temperature 200°C with Silicone or Viton Seals.
- Internal Surface finish 0.8 Um Ra

**311L - In Line Tubular Sight Glass / Flow Indicator
Perspex Safety Shroud**



Part No:	A	B	C	D	Weight (Kgs)	Maximum Working Pressure (Bar)
311L-A026	55.0	165.0	22.1	50.5	0.56	16.0
311L-A038	70.0	165.0	34.8	50.5	0.76	14.0
311L-A051	51.0	165.0	47.5	64.0	1.05	10.0
311L-A063	63.0	165.0	60.2	77.5	1.18	9.0
311L-A076	76.0	165.0	72.9	91.0	1.40	7.0
311L-A102	101.0	165.0	97.4	119.0	3.26	6.0