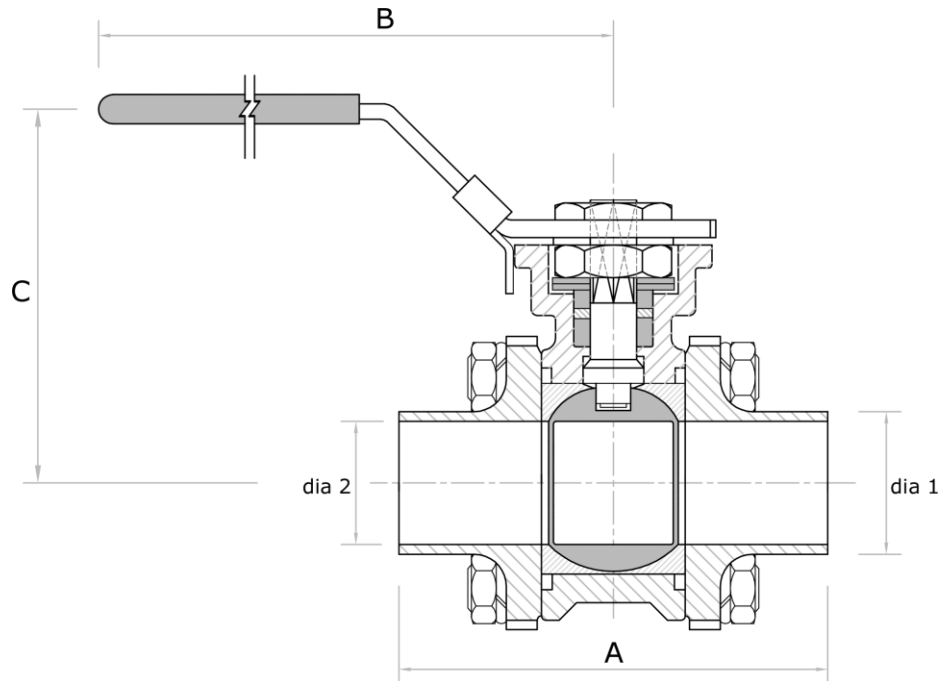


2101 - Hygienic 3 Piece Ball Valve, 316 SS, Direct Mount ISO 5211



Size	A	B	C	Dia 1	Dia 2	Part Number
1/2"	90	145	69	12.7	9.5	2101-B013
3/4"	90	145	76	19.1	15.8	2101-B019
1"	100	175	90	25.4	22.1	2101-B026
1 1/2"	125	190	103	38.1	34.8	2101-B038
2"	150	190	109	50.8	47.5	2101-B051
2 1/2"	190	260	147	63.5	60.2	2101-B064
3"	220	260	154	76.2	73	2101-B076
4"	270	350	205	101.6	97.6	2101-B102

End Connections

- Imperial butt weld ends from 1/2" to 4"
- Clamp BS4825 from 1/2" to 4"
- RJT, IDF, SMS & ILC from 1" to 4"
- All butt weld Imperial ends can be adapted
- For Imperial DIN 11851 & DIN 11864

Dimensions are provided in good faith but may be subject to change, if dimensions are critical please call the office to confirm all sizes before placing an order.