

## 209G - Pressure Relief Valve

The adjustable pressure relief valve was originally designed as a safety device to offer a degree of control near heat exchangers. The valve has proved particularly useful when used in systems with flow restricting valves such as plug cocks and non-return valves and also with pressure inducing plant such as homogenisers and positive displacement pumps.

The valve is particularly useful in applications where an exact pressure must be maintained using electronic equipment, where the valve remains independent to the electronics and prevents any overloading pressure build up.

The standard pressure rating is adjustable between 0.5 & 5 Bar (1" to 2 1/2"), however special springs are available with up to 25 Bar possible for the 1" valve.

The valve is manufactured with 316L stainless steel wetted parts and we would recommend the use of a soft seal such as Silicone or EPDM, in preference to PTFE.

Where CIP is to be carried out near the valves upper pressure limit, we would recommend that a pressure relief valve with a manual override handle is considered.

### Size range:

1" to 3"

### Standard Pressure Range:

1"	-	0.5 – 5 Bar (Maximum 25 Bar)
1½"	-	0.5 – 5 Bar (Maximum 12 Bar)
2"	-	0.5 – 5 Bar (Maximum 12 Bar)
2½"	-	0.5 – 5 Bar (Maximum 12 Bar)
3"	-	0.5 – 4 Bar

### End Connections:

Plain weld end, Clamp, RJT, IDF, DIN 11851, ILC, SMS and BSP

### Seal Materials:

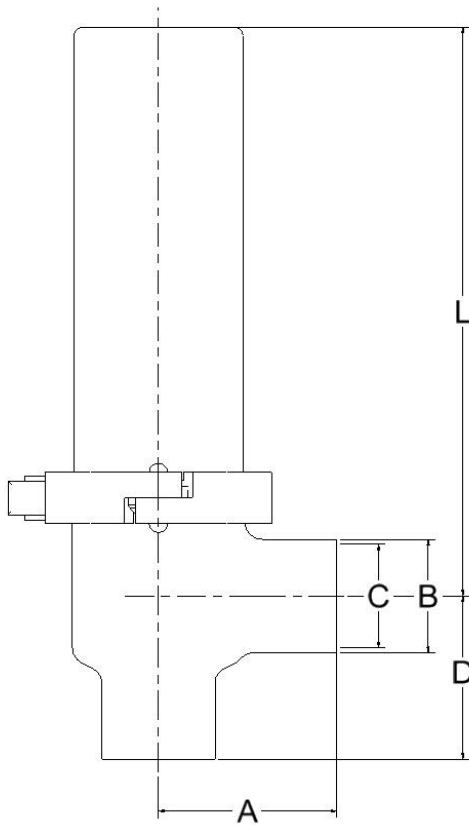
Silicone, EPDM and Viton  
PTFE is also available, but not recommended

### Technical Data:

- Maximum Working Pressure 10 Bar std.
- High flow rate and particle size through the drilled flow plate
- Choice of PTFE, EPDM, Viton and Silicone O Rings
- Fitted with Low pressure Springs for Vertical application
- Machined from Forged Bar
- Surface finish printouts available
- Material certification to EN10204 3.1
- FDA approved Seals and Gaskets



**Pressure Relief Valve – 209G  
Plain Ended – Butt Weld**

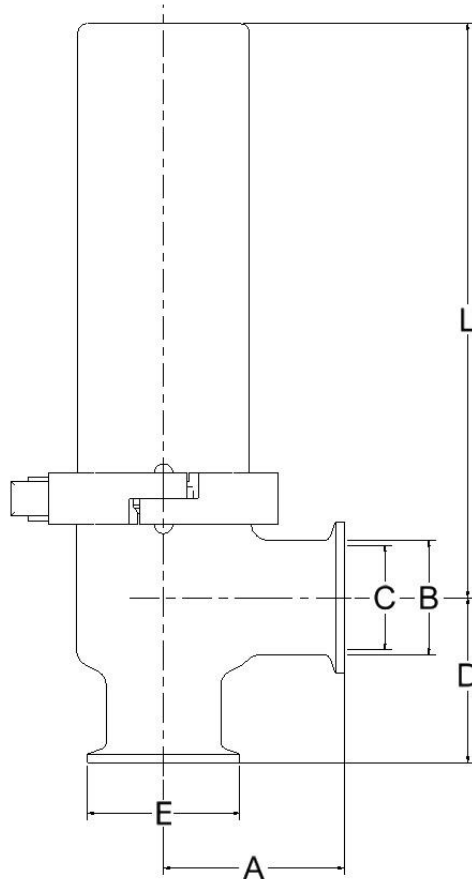


Size	A	B	C	D	L	Part Number
1"	45	25.4	22.2	30.0	160	209G-A026
1.1/2"	56	38.1	34.9	38.0	195	209G-A038
2"	65	50.8	47.6	45.0	200	209G-A051
2.1/2"	70	63.5	60.3	52.0	209	209G-A064
3"	80	76.2	73.0	60.0	216	209G-A076

**Technical Data:**

- Maximum Working Pressure 10 Bar
- High flow rate and particle size through the drilled flow plate
- Choice of PTFE, EPDM, Viton and Silicone O Rings
- Fitted with Low pressure Springs for Vertical application
- Machined from Forged Bar
- Surface finish printouts available
- Material certification to EN10204 3.1
- FDA approved Seals and Gaskets

## Pressure Relief Valve –309G Clamp Ferrule Connections



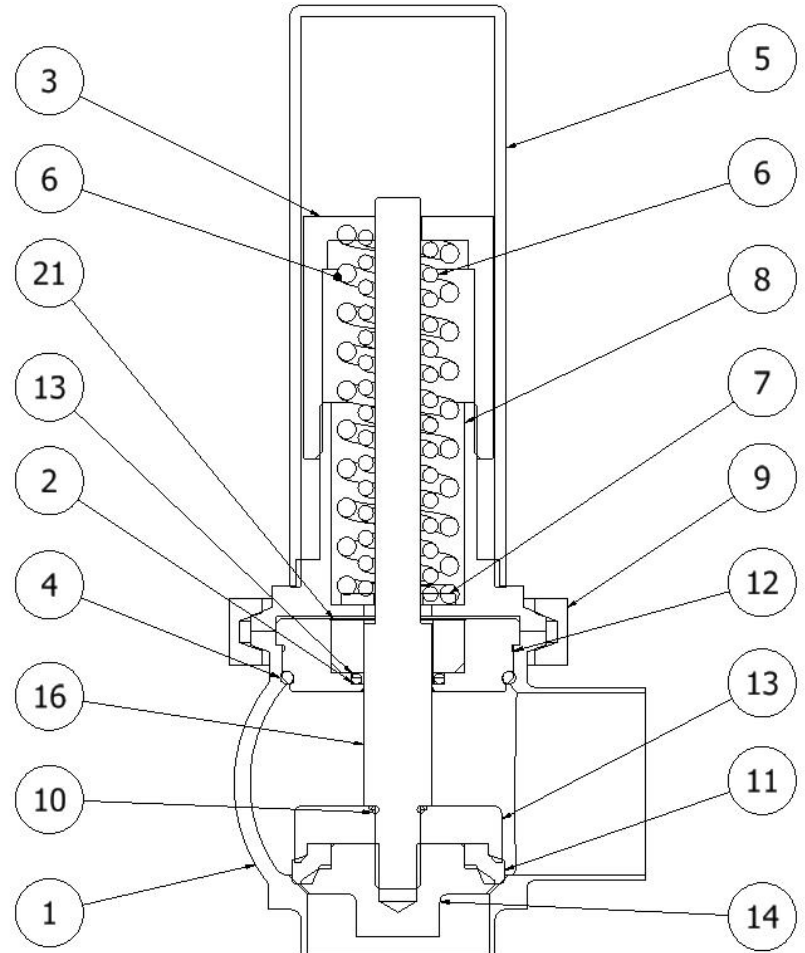
Size	A	B	C	D	E	L	Part Number
1"	58	25.4	22.2	43	50.5	160	309G-A026
1.1/2"	59	38.1	34.9	51	50.5	195	309G-A038
2"	78	50.8	47.6	58	64.0	200	309G-A051
2.1/2"	83	63.5	60.3	65	77.5	209	309G-A064
3"	93	76.2	73.0	73	91.0	216	309G-A076

### Technical Data:

- Maximum Working Pressure 10 Bar
- High flow rate and particle size through the drilled flow plate
- Choice of PTFE, EPDM, Viton and Silicone O Rings
- Fitted with Low pressure Springs for Vertical application
- Machined from Forged Bar
- Surface finish printouts available
- Material certification to EN10204 3.1
- FDA approved Seals and Gaskets

## Spares List:

1. Valve Casing
2. Piston Upper O Ring
3. Adjusting Cap
4. Head Plate O Ring
5. Cover
6. Spring Set – 2 Part
7. Thrust Washer
8. Main Assembly
9. Closure Clamp
10. Piston Lower O Ring
11. Lip Seal
12. Head Plate
13. Piston Head Seat
14. Piston Head Cap
16. Piston
21. PTFE Guide Bush



## Technical Data:

- Maximum Working Pressure 10 Bar
- High flow rate and particle size through the drilled flow plate
- Choice of PTFE, EPDM, Viton and Silicone O Rings
- Fitted with Low pressure Springs for Vertical application
- Machined from Forged Bar
- Surface finish printouts available
- Material certification to EN10204 3.1
- FDA approved Seals and Gaskets

## Flow Diagram

