

## SMS Swedish Standard Union

Swedish standard union incorporates a round slotted nut and features a crevice free flat section seal. The union is suitable for use on permanently fitted sections of pipework and is generally unforgiving on misaligned joints in pipework. The fitting does have the advantage over other designs in that it facilitates the removal of sections of pipework without the need to disturb adjacent sections.

The standard material for the seal is EPDM and Alchem Process Ltd supply the flat lipped design as standard.

Maximum working pressure is stated at 15 Bar (1.5 Mpa) at ambient temperatures.

### Size range:

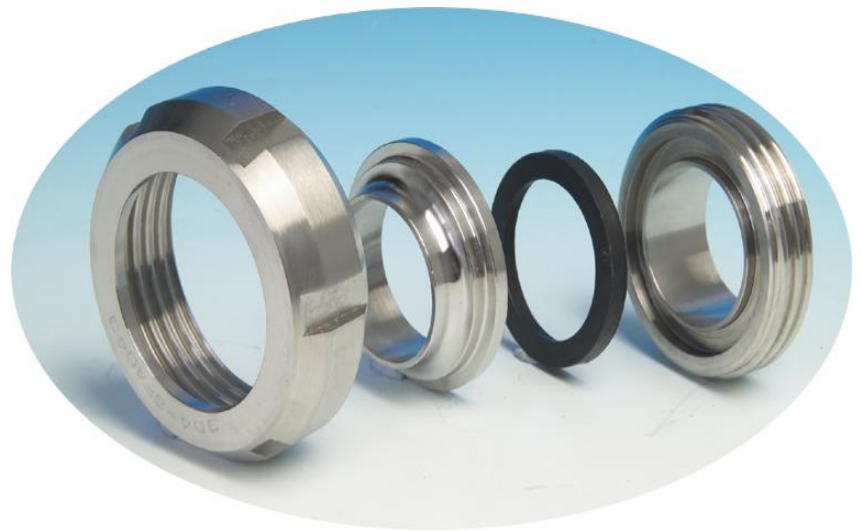
Imperial tube 1" to 4".

### Seal Materials:

EPDM & Nitrile.

### Accessories:

Lipped Seal  
Conical Strainers  
Blank Nuts and Chains  
DS Danish Standard union  
EPDM, Nitrile, FKM® and PTFE  
C Spanner  
Pipe Clips and U Bolts  
Fabricated Bends, Tees and Manifolds



### Associated Standards:

• SMS 3008	-	Stainless Steel Tubes
• SMS 3017	-	Stainless Steel Tubes
• BS 4825 Part 1	-	Stainless Steel Tube for Food Industry and Hygienic Applications
• BS 4825 Part 2	-	Stainless Steel Bends and Tees for the Food Industry
• ASTM A270	-	Stainless Steel Tube for Sanitary, Dairy and Food Industries
• ASTM A269	-	Stainless Steel Tubes for General Corrosion Duties
• DIN 11852	-	Hygienic Fittings, Metric
• DIN 11850	-	Hygienic Tube, Metric
• DIN 11864	-	Aseptic Fittings, Flange, Clamp & Union
• DIN 11866	-	Pharmaceutical Tube, Metric
• ASME BPE	-	Pharmaceutical Tube, Imperial
• ISO 2037	-	Stainless Steel Tubes for the Food Industry
• ISO 2851	-	Stainless Steel Bends and Tees for the Food Industry

Dimensions are provided in good faith but may be subject to change; if dimensions are critical please call the office to confirm all sizes before placing an order.

[DS SMS V1.4](#)

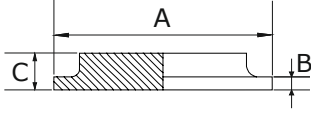
Page No: 1

<b>SMS Weld Male</b>						
Size	A	B	C	D	Part No 316L	Part No 316
1"	40	25.0	22.6	15	7061-A026	7061-B026
32mm	48	33.7	31.3	17	7061-A032	7061-B032
1.½"	60	38.0	35.6	20	7061-A038	7061-B038
2"	70	51.0	48.6	20	7061-A051	7061-B051
2.½"	85	63.5	60.3	24	7061-A064	7061-B064
3"	98	76.1	72.9	24	7061-A076	7061-B076
4"	132	101.6	97.6	35	7061-A102-132*	7061-A102-132*
<p>*2 Thread sizes are available in 4" SMS, namely 132mm and 140mm O.D- please confirm at the enquiry stage It is advisable to check dimensions of all fittings if this is critical</p>						

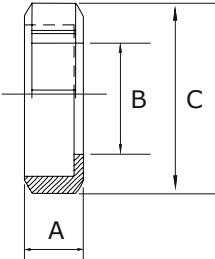
<b>SMS Weld Liner Machined</b>						
Size	A	B	C	D	Part No 316L	Part No 316
1"	35.5	25.0	22.6	7.5	7063-A026	7063-B026
32mm	43.5	33.7	31.3	7.5	7063-A032	7063-B032
1.½"	55.0	38.0	35.6	9.0	7063-A038	7063-B038
2"	65.0	51.0	48.6	9.0	7063-A051	7063-B051
2.½"	80.0	63.5	60.3	9.0	7063-A064	7063-B064
3"	93.0	76.1	72.9	10.0	7063-A076	7063-B076
4"	127.0	101.6	97.6	12.0	7063-A102-132*	7063-A102-132*
<p>*2 Thread sizes are available in 4" SMS, namely 132mm and 140mm O.D- please confirm at the enquiry stage It is advisable to check dimensions of all fittings if this is critical</p>						

Dimensions are provided in good faith but may be subject to change; if dimensions are critical please call the office to confirm all sizes before placing an order.

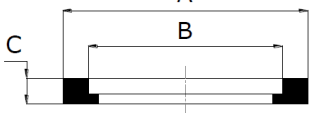
### SMS Blank Liner - 316

	Size	A	B	C	Part No
	1"	35.5	3.5	7.5	7066-B026
	1.½"	55	5.0	9.0	7066-B038
	2"	65	5.0	10.0	7066-B051
	2.½"	80	5.0	10.0	7066-B064
	3"	93	5.0	11.0	7066-B076
	4"	127	5.0	11.0	7066-B102-132*
	<p>*2 Thread sizes are available in 4" SMS, namely 132mm and 140mm O.D- please confirm at the enquiry stage. Check at the time of order if the blank has a raised boss.</p>				

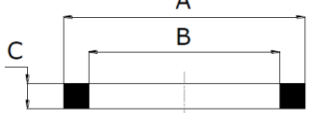
### SMS Round Slotted Nut - 304

	Size	A	B	C	Part No
	1"	20	32.0	51	7064-C026
	32mm	22	40.0	60	7064-C032
	1.½"	25	48.0	74	7064-C038
	2"	26	60.5	84	7064-C051
	2.½"	30	74.0	100	7064-C064
	3"	32	87.0	114	7064-C076
	4"	45	117.0	154	7064-C102-132*
<p>*2 Thread sizes are available in 4" SMS, namely 132mm and 140mm O.D- please confirm at the enquiry stage It is advisable to check dimensions of all fittings if this is critical</p>					

### SMS Joint Seal - Lipped

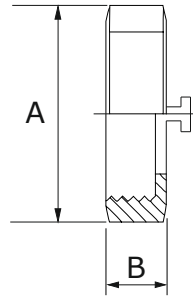
	Colour			Black	Green/Black	Blue/Black	
	Size	A	B	C	Part No (Nitrile)	Part No (FKM)	Part No (EPDM)
	1"	32.0	24.8	5.5	7032-N026	7032-V026	7032-E026
	1.½"	48.0	37.8	5.5	7032-N038	7032-V038	7032-E038
	2"	61.0	50.8	5.5	7032-N051	7032-V051	7032-E051
	2.½"	73.5	63.2	5.5	7032-N064	7032-V064	7032-E064
	3"	86.0	75.5	5.5	7032-N076	7032-V076	7032-E076
	4"	114.0	101.0	5.5	7032-N102	7032-V102	7032-E102
<p>Other materials available: 1. 7030-S - Silicone (white) 2. 7030-T - PTFE (white)</p>							

### SMS Joint Seal - Unlipped

	Colour			White	Black	Black	
	Size	A	B	C	Part No (PTFE)	Part No (FKM)	Part No (EPDM)
	1"	32.0	24.8	5.5	7033-T026	7033-V026	7033-E026
	1.½"	48.0	37.8	5.5	7033-T038	7033-V038	7033-E038
	2"	61.0	50.8	5.5	7033-T051	7033-V051	7033-E051
	2.½"	73.5	63.2	5.5	7033-T064	7033-V064	7033-E064
	3"	86.0	75.5	5.5	7033-T076	7033-V076	7033-E076
	4"	114.0	101.0	5.5	7033-T102	7033-V102	7033-E102

Dimensions are provided in good faith but may be subject to change; if dimensions are critical please call the office to confirm all sizes before placing an order.

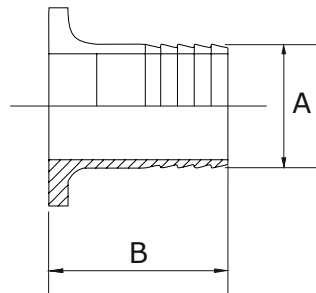
### SMS Blank Nut - 304



Size	A	B	Part No
1"	51	20	706A-C026
1.½"	74	25	706A-C038
2"	84	26	706A-C051
2.½"	100	31	706A-C064
3"	114	32	706A-C076
4"	154	45	706A-C102-132*

\*2 Thread sizes are available in 4" SMS, namely 132mm and 140mm O.D- please confirm at the enquiry stage  
It is advisable to check dimensions of all fittings if this is critical

### SMS Female Hoseliner - 316

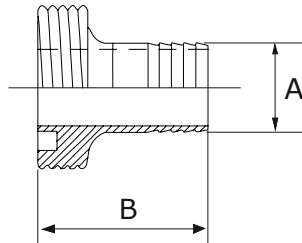


Size	A	B	Part No
1"	25.4	97	706K-B026
1.½"	38.1	105	706K-B038
2"	50.8	105	706K-B051
2.½"	63.5	120	706K-B064
3"	76.2	130	706K-B076
4"	101.6	139	706K-B102

\*Note: This is a Non stock item and would usually be made to order  
It is advisable to check dimensions of all fittings if this is critical

Dimensions are provided in good faith but may be subject to change; if dimensions are critical please call the office to confirm all sizes before placing an order.

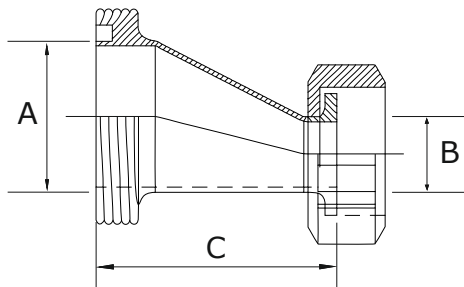
### SMS Male Hosetail - 316



Size	A	B	Part No
1"	25.4	97	706L-B026
1.½"	38.1	105	706L-B038
2"	50.8	105	706L-B051
2.½"	63.5	120	706L-B064
3"	76.2	130	706L-B076
4"	101.6	139	706L-B102

\*Note: This is a Non stock item and would usually be made to order  
It is advisable to check dimensions of all fittings if this is critical

### SMS Eccentric Reducer M/F - 316

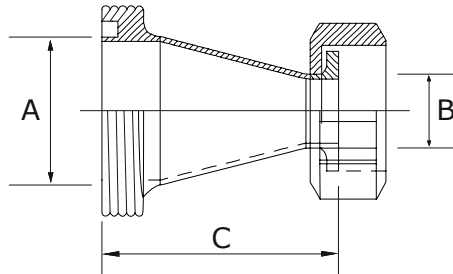


Size	A	B	C	Part No
1.½"-1"	38.1	25.4	74.5	7054-B038-026
2"-1"	50.8	25.4	73.5	7054-B051-026
2"-1.½"	50.8	38.1	92	7054-B051-038
2.½"-1.½"	63.5	38.1	76	7054-B064-038
2.½"-2"	63.5	50.8	109	7054-B064-051
3"-1.½"	76.2	38.1	86	7054-B076-038
3"-2"	76.2	50.8	109	7054-B076-051
3"-2.½"	76.2	63.5	120	7054-B076-064

\* Please Enquire for the 4" Range.  
\*Note: Available in Variations, Please state which SMS End connectors you require either Male or Female  
as this will change the dimensions  
It is advisable to check dimensions of all fittings if this is critical

Dimensions are provided in good faith but may be subject to change; if dimensions are critical please call the office to confirm all sizes before placing an order.

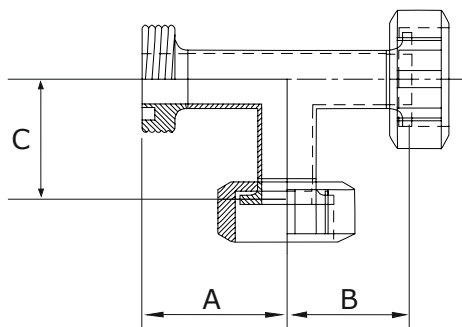
### SMS Concentric Reducer M/F - 316



Size	A	B	C	Part No
1.½"-1"	38.1	25.4	66.5	7051-B038-026
2"-1"	50.8	25.4	77.5	7051-B051-026
2"-1.½"	50.8	38.1	91	7051-B051-038
2.½"-1.½"	63.5	38.1	82	7051-B064-038
2.½"-2"	63.5	50.8	107	7051-B064-051
3"-1.½"	76.2	38.1	82	7051-B076-038
3"-2"	76.2	50.8	98	7051-B076-051
3"-2.½"	76.2	63.5	124	7051-B076-064

\* Please Enquire for the 4" Range.  
 \*Note: Available in Variations, Please state which SMS End connectors you require either Male or Female as this will change the dimensions  
 It is advisable to check dimensions of all fittings if this is critical

### SMS Equal Tee - MFF branch – 316L



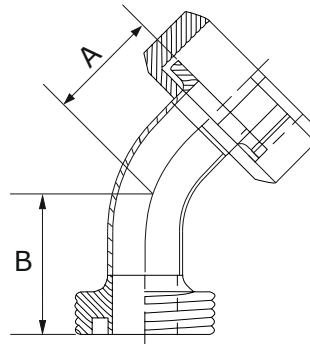
Size	A	B	C	Part No
1"	58.5	51.0	51.0	704P-B026-MFF
1.½"	83.5	72.5	72.5	704P-B038-MFF
2"	108.5	97.5	97.5	704P-B051-MFF
2.½"	137.5	122.5	122.5	704P-B064-MFF
3"	157.5	143.5	143.5	704P-B076-MFF
4"	208.5	185.5	185.5	704P-B102-MFF

\*Note: Available in Variations, Please state which SMS End connectors you require either Male or Female as this will change the dimensions  
 It is advisable to check dimensions of all fittings if this is critical

Dimensions are provided in good faith but may be subject to change; if dimensions are critical please call the office to confirm all sizes before placing an order.



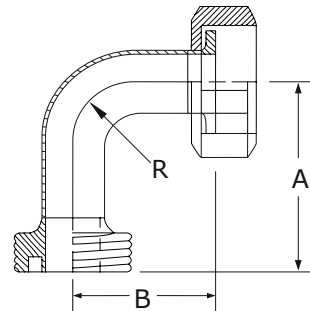
### SMS 45° Bend - M/F - 316



Size	A	B	Part No
1"	45.5	49	7046-B026
1.½"	53	60	7046-B038
2"	63	69	7046-B051
2.½"	69	79	7046-B064
3"	81	89	7046-B076
4"	124	135	7046-B102

\*Note: Available in Variations, Please state which SMS End connectors you require either Male or Female as this will change the dimensions  
It is advisable to check dimensions of all fittings if this is critical

### SMS 90° Bend - M/F - 316



Size	A	B	R	Part No
1"	72.5	80	38.1	7040-B026
1.½"	94	105	57.2	7040-B038
2"	119	130	76.2	7040-B051
2.½"	144	159	95.3	7040-B064
3"	165	179	114.3	7040-B076
4"	207	230	152.4	7040-B102

\*Note: Available in Variations, Please state which SMS End connectors you require either Male or Female as this will change the dimensions  
It is advisable to check dimensions of all fittings if this is critical

Dimensions are provided in good faith but may be subject to change; if dimensions are critical please call the office to confirm all sizes before placing an order.