

Clamp Gasket Range

Our range of seals and gaskets is constantly being updated to cater for advances made in seal technology. As more materials are approved and added to the list of FDA, U.S.D.A. ASME BPE and US Pharmacopoeia Class VI (6) standards, there is a need to constantly update the portfolio. The standard range of elastomer materials offered includes EPDM, Silicone, Nitrile (BUNA-A®), PEEK and FKM/¹Viton®.

Fluoro-polymers such as PTFE solid and PTFE encapsulated seals are also available.

Elastomer Seals:

The elastomer compounds used to manufacture Clamp Seals in EPDM, Silicone and FKM/¹Viton® are in compliance with the Food and Drug Association (FDA) Code of Federation Regulations for rubber and rubber-like materials. This is stipulated under "Title 21, paragraph 177.2600" and also meets the criteria of the Class I materials classification of the 3-A Sanitary Standards U.S.D.A. and standard 51 of the N.S.F.

We also confirm that no Phthalate Esters are contained in any plasticization agent used during the manufacturing process. Also available is a range of metal detectable elastomer seals. These are produced in BUNA-Nitrile, Red and White Silicone, Black EPDM, FKM/¹Viton® and 316 stainless steel metal-reinforced PTFE. Ferrite particles are included during the moulding process enabling any dislodged fragments to be revealed in-line using metal sensitive detectors, saving cost and embarrassing product recalls.

PTFE Seals:

Our Fluoro-polymer Seals are produced from Virgin PTFE and conform to F.D.A Code of Federal Regulations for Teflon® and Fluorocarbon resin materials under "Title 21, paragraph 177.1550 for use in contact with foodstuffs". They also meet the criteria Class I material classification for the 3-A Sanitary Standards.

PTFE seal fillers such as EPDM and FKM/¹Viton® are produced from compounds which conform to F.D.A. Code of Federal Regulations for rubber and rubber like material under "Title 21, paragraph 177.2600". They also meet the criteria Class I material certification of the 3-A Sanitary Standards U.S.D.A. and Standard 51 of N.S.F.

Materials:

EPDM, FKM (¹Viton®), PTFE, Nitrile, PEEK® and Platinum Cured Silicone.

Standards:

FDA, USDA, USP Pharmacopoeia Class VI, ASME-BPE and TSE Animal Derivative Free.

Related products:

- Screen Gaskets
- Solid Disc Gaskets
- Orifice Plate Gaskets
- Clamp Seals
- Clamp Seal Blanks
- Cone Filters
- Sock Gasket

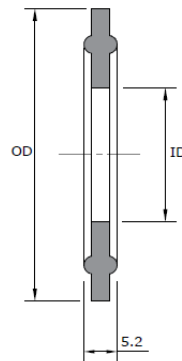
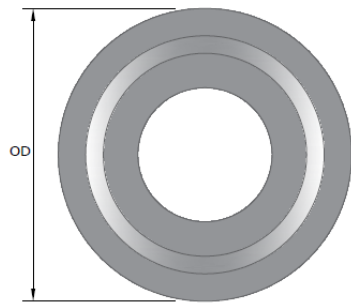
Dimensions are provided in good faith but may be subject to change, if dimensions are critical please call the office to confirm all sizes before placing an order.

[DS Clamp Gasket V 1.8](#)

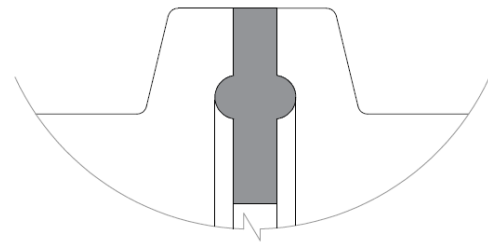
¹Viton® is a registered trade mark of Dupont Dow Elastomer.

Page No: 1

Clamp Gasket - (Type B) Un-lipped



Assembly detail



Colour		white/blue/black	white/black	white/black	white/blue	Platinum/clear white/red	
Size	OD	ID	EPDM	FKM (¹ Viton®)	Nitrile	PTFE Solid	Silicone
1"	50.2	22.9	302E-E026	302E-V026	302E-N026	302E-T026	302E-S026
1½"	50.2	35.6	302E-E038	302E-V038	302E-N038	302E-T038	302E-S038
2"	63.5	48.3	302E-E051	302E-V051	302E-N051	302E-T051	302E-S051
2½"	76.2	60.3	302E-E064	302E-V064	302E-N064	302E-T064	302E-S064
3"	90.8	73.7	302E-E076	302E-V076	302E-N076	302E-T076	302E-S076
4"	119.0	98.4	302E-E102	302E-V102	302E-N102	302E-T102	302E-S102
5"	144.8	123.0	302E-E127	302E-V127	302E-N127	302E-T127	302E-S127
6"	168.0	148.3	302E-E152	302E-V152	302E-N152	302E-T152	302E-S152
8"	218.0	199.0	302E-E204	302E-V204	302E-N204	302E-T204	302E-S204
10"	270.5	249.0	302E-E254	302E-V254	302E-N254	302E-T254	302E-S254
12"	321.0	300.0	302E-E304	302E-V304	302E-N304	302E-T304	302E-S304

Available in other materials including Gylon®

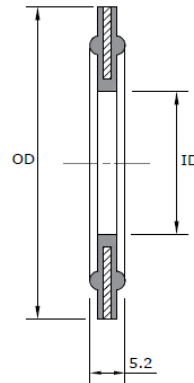
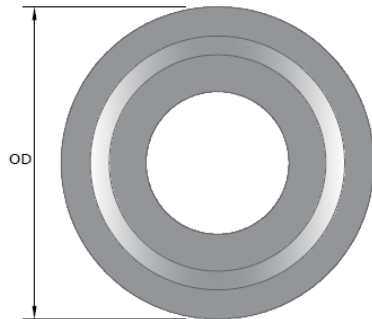
Dimensions are provided in good faith but may be subject to change, if dimensions are critical please call the office to confirm all sizes before placing an order.

[DS Clamp Gasket V.1.8](#)

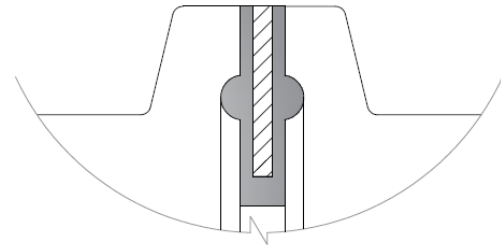
¹Viton® is a registered trade mark of Dupont Dow Elastomer.

Page No: 2

PTFE Envelope Clamp Gasket - (Type B) Un-lipped



Assembly Detail



Colour			white	white	white
Size	OD	ID	PTFE/FKM (¹ Viton®)	PTFE/EPDM	*PTFE/Silicone
1"	50.2	22.9	302F-Q026	302F-P026	302F-M026
1½"	50.2	35.6	302F-Q038	302F-P038	302F-M038
2"	63.5	48.3	302F-Q051	302F-P051	302F-M051
2½"	76.2	60.3	302F-Q064	302F-P064	302F-M064
3"	90.8	73.7	302F-Q076	302F-P076	302F-M076
4"	119.0	98.4	302F-Q102	302F-P102	302F-M102
5"	144.8	123.0	302F-Q127	302F-P127	302F-M127
6"	168.0	148.3	302F-Q152	302F-P152	302F-M152
8"	218.0	199.0	302F-Q204	302F-P204	302F-M204
10"	270.5	249.0	302F-Q254	302F-P254	302F-M254
12"	321.0	300.0	302F-Q304	302F-P304	302F-M304

*PTFE/Silicone is made to order

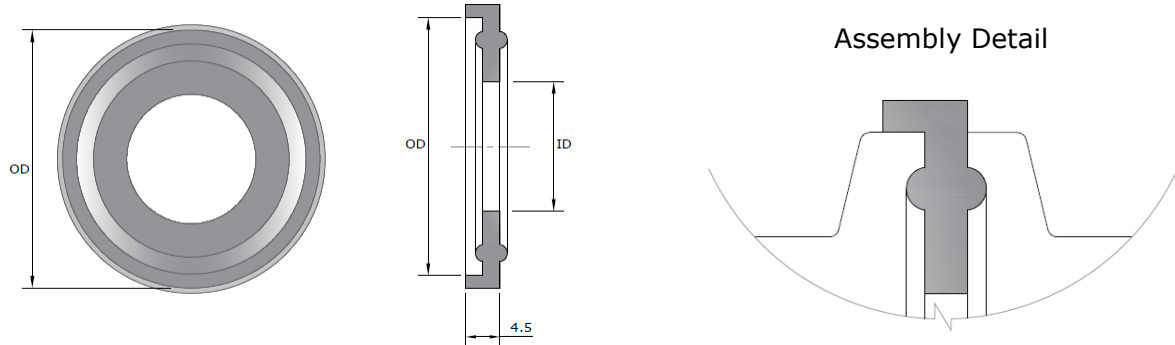
Dimensions are provided in good faith but may be subject to change, if dimensions are critical please call the office to confirm all sizes before placing an order.

DS Clamp Gasket V 1.8

¹Viton® is a registered trade mark of Dupont Dow Elastomer.

Page No: 3

Clamp Gasket - (Type A) Lipped BS



Colour		white/blue black	white/green black	white/black	white	clear/white red	
Size	OD	ID	EPDM	FKM (¹Viton®)	Nitrile	PTFE Solid	Silicone**
*1"	50.5	22.8	302A-E026	302A-V026	302A-N026	302A-T026	302A-S026
*1½"	50.5	35.5	302A-E038	302A-V038	302A-N038	302A-T038	302A-S038
*2"	64.0	48.2	302A-E051	302A-V051	302A-N051	302A-T051	302A-S051
*2½"	77.5	60.3	302A-E064	302A-V064	302A-N064	302A-T064	302A-S064
*3"	91.0	73.2	302A-E076	302A-V076	302A-N076	302A-T076	302A-S076
3½"	106.0	84.7	302A-E089	302A-V089	302A-N089	302A-T089	302A-S089
*4"	119.0	97.8	302A-E102	302A-V102	302A-N102	302A-T102	302A-S102
*4½"	130.0	110.5	302A-E114	302A-V114	302A-N114	302A-T114	302A-S114
5"	144.4	123.2	302A-E127	302A-V127	302A-N127	302A-T127	302A-S127
5½"	155.0	135.9	302A-E141	302A-V141	302A-N141	302A-T141	302A-S141
6"	167.0	147.0	302A-E152	302A-V152	302A-N152	302A-T152	302A-S152
6"	167.0	150.2	302A-E154	302A-V154	302A-N154	302A-T154	302A-S154
*6⅝"	183.0	163.3	302A-E168	302A-V168	302A-N168	302A-T168	302A-S168
8"	217.4	200.2	302A-E204	302A-V204	302A-N204	302A-T204	302A-S204
*8⅝"	233.5	214.1	302A-E219	302A-V219	302A-N219	302A-T219	302A-S219
10"	268.0	250.2	302A-E254	302A-V254	302A-N254	302A-T254	302A-S254
10⅝"	286.0	266.5	302A-E273	302A-V273	302A-N273	302A-T273	302A-S273
12"	319.0	301.0	302A-E304	302A-V304	302A-N304	302A-T304	302A-S304
12¾"	338.0	315.9	302A-E324	302A-V324	302A-N324	302A-T324	302A-S324

*Items listed to BS4825
**Platinum Cured Silicone also available

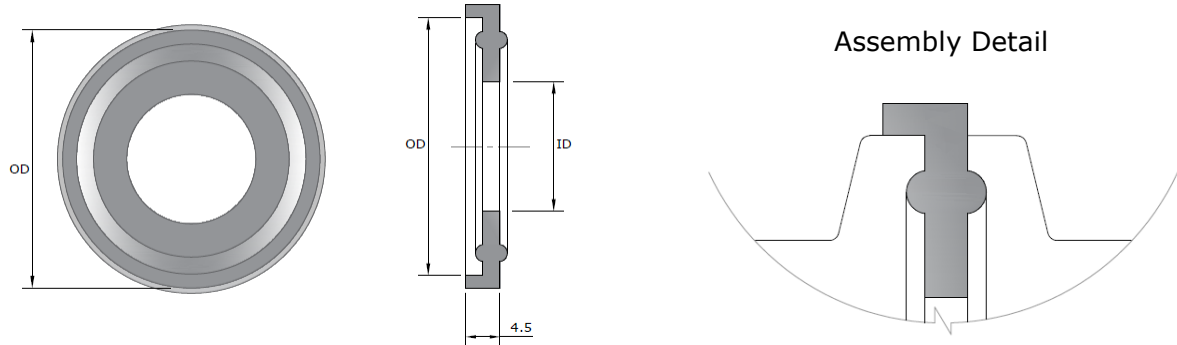
Dimensions are provided in good faith but may be subject to change, if dimensions are critical please call the office to confirm all sizes before placing an order.

DS Clamp Gasket V.1.8

¹Viton® is a registered trade mark of Dupont Dow Elastomer.

Page No: 4

Clamp Gasket - (Type A) Lipped BS Schedule 5



Colour		white/blue black	white/green black	white/black	white	clear/white red	
Size	OD	ID	EPDM	FKM (¹Viton®)	Nitrile	PTFE Solid	Silicone*
½"	50.5	18.0	302A-E021	302A-V021	302A-N021	302A-T021	302A-S021
¾"	50.5	23.8	302A-E027	302A-V027	302A-N027	302A-T027	302A-S027
1"	50.5	30.1	302A-E033	302A-V033	302A-N033	302A-T033	302A-S033
1¼"	50.5	39.0	302A-E042	302A-V042	302A-N042	302A-T042	302A-S042
1½"	64.0	45.0	302A-E048	302A-V048	302A-N048	302A-T048	302A-S048
2"	77.5	57.0	302A-E060	302A-V060	302A-N060	302A-T060	302A-S060
2½"	91.0	69.0	302A-E073	302A-V073	302A-N073	302A-T073	302A-S073
3"	106.0	84.7	302A-E089	302A-V089	302A-N089	302A-T089	302A-S089
3½"	119.0	97.3	302A-E101	302A-V101	302A-N101	302A-T101	302A-S101
4"	130.0	110.0	302A-E114	302A-V114	302A-N114	302A-T114	302A-S114
5"	155.0	136.0	302A-E141	302A-V141	302A-N141	302A-T141	302A-S141
6"	183.0	163.0	302A-E168	302A-V168	302A-N168	302A-T168	302A-S168
8"	233.5	213.5	302A-E219	302A-V219	302A-N219	302A-T219	302A-S219
10"	286.1	266.3	302A-E273	302A-V273	302A-N273	302A-T273	302A-S273
12"	338.0	315.7	302A-E324	302A-V324	302A-N324	302A-T324	302A-S324

*Platinum Cured Silicone also available

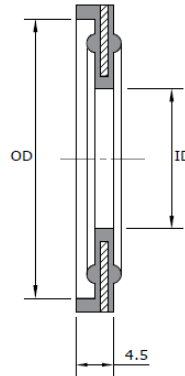
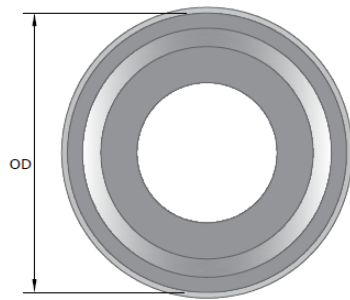
Dimensions are provided in good faith but may be subject to change, if dimensions are critical please call the office to confirm all sizes before placing an order.

DS Clamp Gasket V.1.8

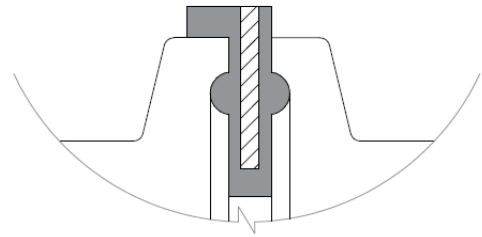
¹Viton® is a registered trade mark of Dupont Dow Elastomer.

Page No: 5

PTFE Envelope Clamp Gasket - (Type A) Lipped Including BS 4825 Pt.3



Assembly detail



Colour				white	white	white
Size	OD	ID	L1	PTFE/EPDM	PTFE/FKM (¹ Viton®)	PTFE/Silicone
*1"	50.5	22.2	2.1	302B-P026	302B-Q026	302B-M026
*1½"	50.5	34.9	2.1	302B-P038	302B-Q038	302B-M038
*2"	64.0	47.6	2.1	302B-P051	302B-Q051	302B-M051
*2½"	77.5	60.3	2.1	302B-P064	302B-Q064	302B-M064
*3"	91.0	73.0	2.1	302B-P076	302B-Q076	302B-M076
3½"	106.0	84.7	2.1	302B-P089	302B-Q089	302B-M089
*4"	119.0	97.6	2.1	302B-P102	302B-Q102	302B-M102
*4½"	130.0	110.3	2.1	302B-P114	302B-Q114	302B-M114
5"	144.4	123.0	2.1	302B-P127	302B-Q127	302B-M127
5½"	155.0	135.7	2.1	302B-P141	302B-Q141	302B-M141
6"	167.0	150.0	2.3	302B-P152	302B-Q152	302B-M152
*6⅝"	183.0	163.1	2.3	302B-P168	302B-Q168	302B-M168
8"	217.0	200.0	2.3	302B-P204	302B-Q204	302B-M204
*8⅝"	233.5	213.9	2.3	302B-P219	302B-Q219	302B-M219
10"	268.0	250.0	2.3	302B-P254	302B-Q254	302B-M254
10⅝"	286.1	266.3	2.3	302B-P273	302B-Q273	302B-M273
12"	319.0	301.0	2.3	302B-P304	302B-Q304	302B-M304
12¾"	338.0	315.9	2.3	302B-P324	302B-Q324	302B-M324

*Items listed to BS4825

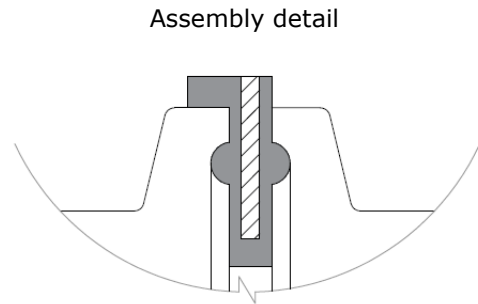
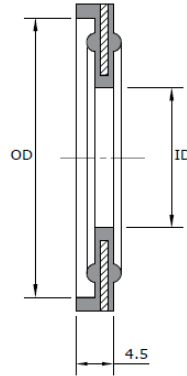
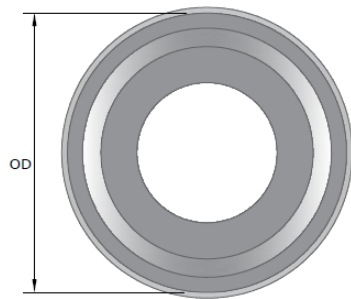
Dimensions are provided in good faith but may be subject to change, if dimensions are critical please call the office to confirm all sizes before placing an order.

DS Clamp Gasket V.1.8

¹Viton® is a registered trade mark of Dupont Dow Elastomer.

Page No: 6

PTFE Envelope Clamp Gasket - (Type A) Lipped BS Schedule 5



Colour			white	white	white
Size	OD	ID	PTFE/EPDM	PTFE/FKM (¹ Viton®)	PTFE/Silicone
1/2"	50.5	18.0	302J-P021	302J-Q021	302J-M021
3/4"	50.5	23.8	302J-P027	302J-Q027	302J-M027
1"	50.5	30.1	302B-P033	302B-Q033	302B-M033
1 1/4"	50.5	39.0	302B-P042	302B-Q042	302B-M042
1 1/2"	64.0	45.0	302B-P048	302B-Q048	302B-M048
2"	77.5	57.0	302B-P060	302B-Q060	302B-M060
2 1/2"	91.0	69.0	302B-P073	302B-Q073	302B-M073

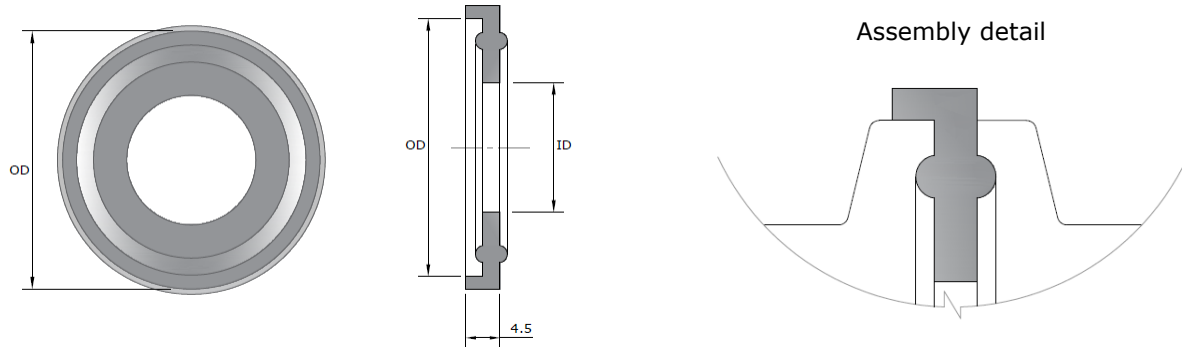
Dimensions are provided in good faith but may be subject to change, if dimensions are critical please call the office to confirm all sizes before placing an order.

DS Clamp Gasket V.1.8

¹Viton® is a registered trade mark of Dupont Dow Elastomer.

Page No: 7

Clamp Gasket - (Type A) Lipped Metric & DIN 32676



Colour			black	green/black	black	white	white
Size	OD	ID	EPDM	FKM (¹ Viton®)	Nitrile	PTFE Solid	Silicone
DN10	34.0	10.0	302A-E010	302A-V010	302A-N010	302A-T010	302A-S010
DN15	34.0	16.0	302A-E015	302A-V015	302A-N015	302A-T015	302A-S015
DN20	34.0	20.0	302A-E020	302A-V020	302A-N020	302A-T020	302A-S020
DN25	50.5	26.0	302A-E025	302A-V025	302A-N025	302A-T025	302A-S025
DN32	50.5	32.0	302A-E032	302A-V032	302A-N032	302A-T032	302A-S032
DN40	50.5	38.0	302A-E040	302A-V040	302A-N040	302A-T040	302A-S040
DN50	64.0	50.0	302A-E050	302A-V050	302A-N050	302A-T050	302A-S050
DN65	91.0	66.0	302A-E065	302A-V065	302A-N065	302A-T065	302A-S065
DN80	106.0	81.0	302A-E080	302A-V080	302A-N080	302A-T080	302A-S080
DN100	119.0	100.0	302A-E100	302A-V100	302A-N100	302A-T100	302A-S100
DN125	155.0	125.0	302A-E125	302A-V125	302A-N125	302A-T125	302A-S125
DN150	183.0	150.0	302A-E150	302A-V150	302A-N150	302A-T150	302A-S150
DN200	233.5	200.0	302A-E200	302A-V200	302A-N200	302A-T200	302A-S200
DN125	144.4	125.0	302A-E129	302A-V129	302A-N129	302A-T129	302A-S129
DN150	167.0	150.0	302A-E154	302A-V154	302A-N154	302A-T154	302A-S154
DN200*	217.4	200.0	302A-E204	302A-V204	302A-N204	302A-T204	302A-S204
DN250	268.0	250.0	302A-E254	302A-V254	302A-N254	302A-T254	302A-S254
DN300	319.0	300.0	302A-E304	302A-V304	302A-N304	302A-T304	302A-S304

*DN200=8"

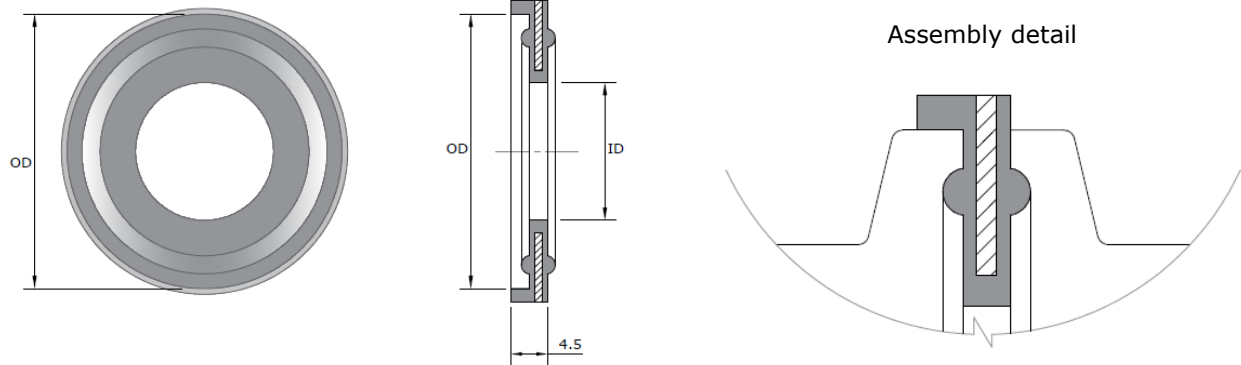
Dimensions are provided in good faith but may be subject to change, if dimensions are critical please call the office to confirm all sizes before placing an order.

DS Clamp Gasket V 1.8

¹Viton® is a registered trade mark of Dupont Dow Elastomer.

Page No: 8

PTFE Envelope Clamp Gasket - (Type A) Lipped DIN 32676



Colour			white	white	white
Size	OD	ID	PTFE/EPDM	PTFE/FKM (¹ Viton®)	PTFE/Silicone
DN10	34.0	10.0	302B-P010	302B-Q010	302B-M010
DN15	34.0	16.0	302B-P015	302B-Q015	302B-M015
DN20	34.0	20.0	302B-P020	302B-Q020	302B-M020
DN25	50.5	26.0	302B-P025	302B-Q025	302B-M025
DN32	50.5	32.0	302B-P032	302B-Q032	302B-M032
DN40	50.5	38.0	302B-P040	302B-Q040	302B-M040
DN50	64.0	50.0	302B-P050	302B-Q050	302B-M050
DN65	91.0	66.0	302B-P065	302B-Q065	302B-M065
DN80	106.0	81.0	302B-P080	302B-Q080	302B-M080
DN100	119.0	100.0	302B-P100	302B-Q100	302B-M100
DN125	155.0	125.0	302B-P125	302B-Q125	302B-M125
DN150	183.0	150.0	302B-P150	302B-Q150	302B-M150
DN200	233.5	200.0	302B-P200	302B-Q200	302B-M200
DN125	144.4	125.0	302B-P129	302B-Q129	302B-M129
DN150	167.0	150.0	302B-P154	302B-Q154	302B-M154
DN200*	217.4	200.0	302B-P204	302B-Q204	302B-M204
DN250	268.0	250.0	302B-P254	302B-Q254	302B-M254
DN300	319.0	300.0	302B-P304	302B-Q304	302B-M304

*DN200=8"

Dimensions are provided in good faith but may be subject to change, if dimensions are critical please call the office to confirm all sizes before placing an order.

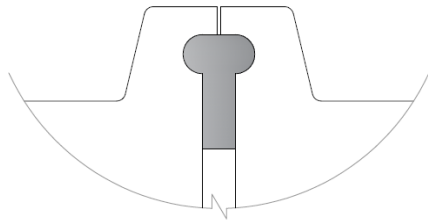
DS Clamp Gasket V 1.8

¹Viton® is a registered trade mark of Dupont Dow Elastomer.

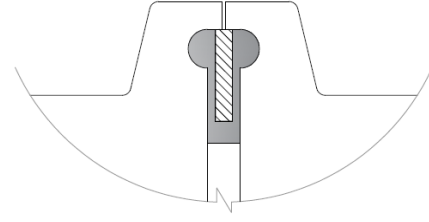
Page No: 9

Mini Clamp Gaskets - Imperial

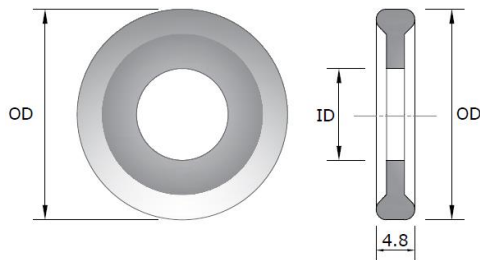
Assembly Detail



Assembly Detail



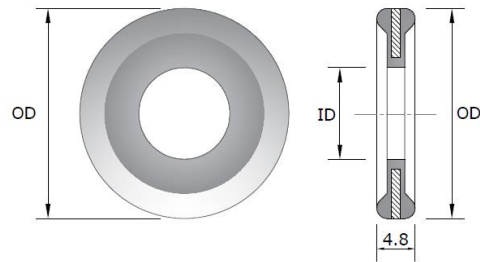
Mini Clamp Gasket



Colour			white/red blue/black	white/green black	white/black	white	clear/white red
Size	OD	ID	EPDM	FKM (¹ Viton®)	Nitrile	PTFE Solid	Silicone*
1/4"	22	4.6	302J-E0064	302J-V0064	302J-N0064	302J-T0064	302J-S0064
3/8"	22	7.7	302J-E0095	302J-V0095	302J-N0095	302J-T0095	302J-S0095
1/2"	22	9.5	302J-E013	302J-V013	302J-N013	302J-T013	302J-S013
3/4"	22	15.9	302J-E019	302J-V019	302J-N019	302J-T019	302J-S019

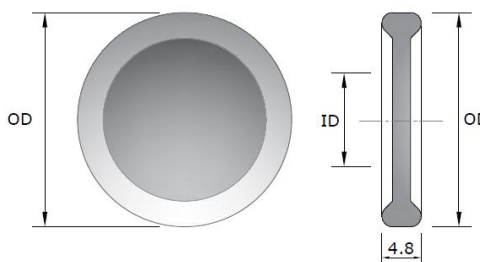
*Platinum Cured Silicone also available

Mini Clamp Gasket - Envelope



Colour			white	white	white
Size	OD	ID	PTFE/EPDM	PTFE/FKM (¹ Viton®)	PTFE/Silicone
1/4"	22	4.6	302K-P0064	302K-Q0064	302K-M0064
3/8"	22	7.7	302K-P0095	302K-Q0095	302K-M0095
1/2"	22	9.5	302K-P013	302K-Q013	302K-M013
3/4"	22	15.9	302K-P019	302K-Q019	302K-M019

Mini Clamp Gasket - Blank



Colour			black	black	white	clear/white
Size	OD	ID	EPDM	FKM (¹ Viton®)	PTFE Solid	Silicone
-	22	-	302L-E019	302L-V019	302L-T019	302L-S019

One size common to all

Dimensions are provided in good faith but may be subject to change, if dimensions are critical please call the office to confirm all sizes before placing an order.

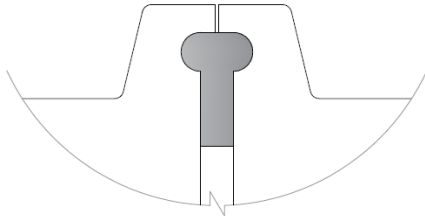
DS Clamp Gasket V.1.8

¹Viton® is a registered trade mark of Dupont Dow Elastomer.

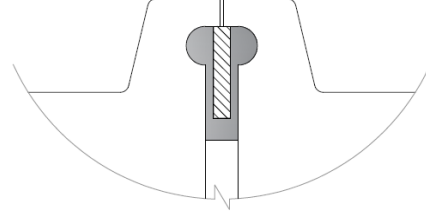
Page No: 10

Mini Clamp Gaskets - Metric

Assembly Detail



Assembly Detail



Mini Clamp Gasket

	Colour			white/red blue/black	white/green black	white/black	white	clear/white red
	Size mm	OD	ID	EPDM	FKM (¹ Viton®)	Nitrile	PTFE Solid	Silicone
	4	22	4.0	302J-E004	302J-V004	302J-N004	302J-T004	302J-S004
	6	22	6.0	302J-E006	302J-V006	302J-N006	302J-T006	302J-S006
	8	22	8.0	302J-E008	302J-V008	302J-N008	302J-T008	302J-S008
	10	22	10.0	302J-E010	302J-V010	302J-N010	302J-T010	302J-S010
	12	22	12.0	302J-E012	302J-V012	302J-N012	302J-T012	302J-S012
	14	22	14.0	302J-E014	302J-V014	302J-N014	302J-T014	302J-S014
	16	22	16.0	302J-E016	302J-V016	302J-N016	302J-T016	302J-S016
*Platinum Cured Silicone also available								

Mini Clamp Gasket – Blank

	Colour			black	black	white	clear/white
	Size mm	OD	ID	EPDM	FKM (¹ Viton®)	PTFE Solid	Silicone
	-	22	-	302L-E019	302L-V019	302L-T019	302L-S019
One size common to all							

Dimensions are provided in good faith but may be subject to change, if dimensions are critical please call the office to confirm all sizes before placing an order.

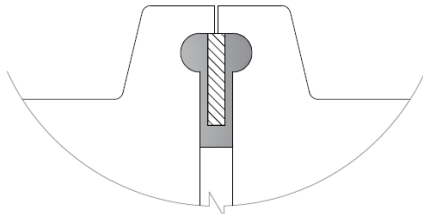
DS Clamp Gasket V.1.8

¹Viton® is a registered trade mark of Dupont Dow Elastomer.

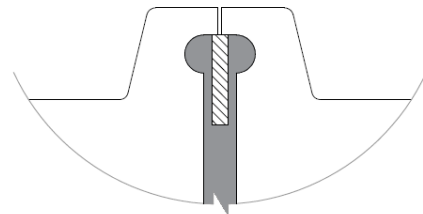
Page No: 11

Mini Clamp Gaskets - Metric

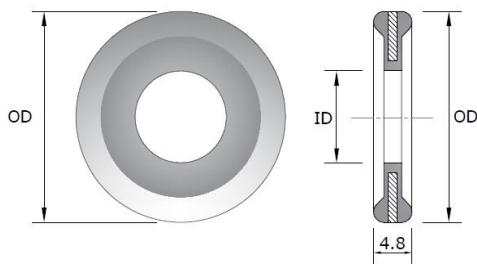
Assembly Detail



Assembly Detail

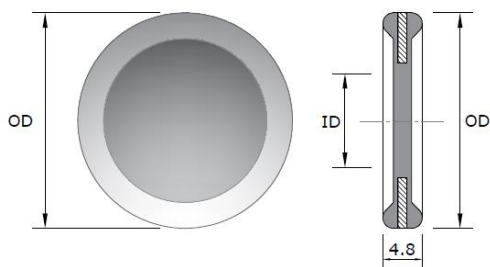


Mini Clamp Gasket - Envelope



Colour			white	white	white
Size mm	OD	ID	PTFE/EPDM	PTFE/FKM (¹ Viton®)	PTFE/Silicone
4	22	4.0	302K-P004	302K-Q004	302K-M004
6	22	6.0	302K-P006	302K-Q006	302K-M006
8	22	8.0	302K-P008	302K-Q008	302K-M008
10	22	10.0	302K-P010	302K-Q010	302K-M010
12	22	12.0	302K-P012	302K-Q012	302K-M012
14	22	14.0	302K-P014	302K-Q014	302K-M014
16	22	16.0	302K-P016	302K-Q016	302K-M016

Mini Clamp Gasket - Envelope Blank



Colour			white	white	white
Size mm	OD	ID	PTFE/EPDM	PTFE/FKM (¹ Viton®)	PTFE/Silicone
-	22	-	302H-P019	302H-Q019	302H-M019
One size common to all					

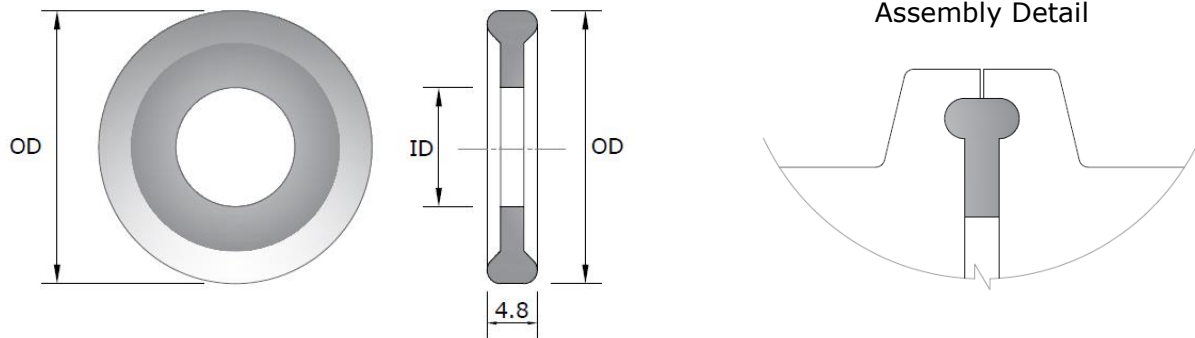
Dimensions are provided in good faith but may be subject to change, if dimensions are critical please call the office to confirm all sizes before placing an order.

DS Clamp Gasket V.1.8

¹Viton® is a registered trade mark of Dupont Dow Elastomer.

Page No: 12

Clamp Gasket - (Type A) Lipped ISO 1127



Mini Clamp Gaskets – Series 1

Colour			black	black	white	clear/white
Size	OD	ID	EPDM	FKM (¹ Viton®)	PTFE Solid	Silicone
NS 08	22.0	10.3	302J-E008-IS1	302J-V008-IS1	302J-T008-IS1	302J-S008-IS1
NS 10	22.0	14.0	302J-E010-IS1	302J-V010-IS1	302J-T010-IS1	302J-S010-IS1

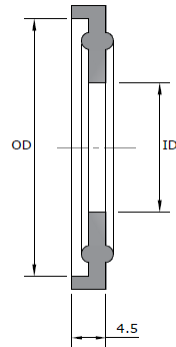
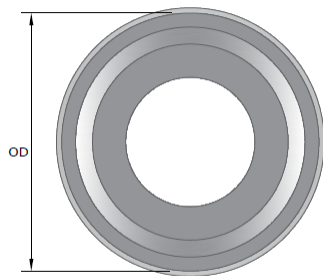
Dimensions are provided in good faith but may be subject to change, if dimensions are critical please call the office to confirm all sizes before placing an order.

[DS Clamp Gasket V.1.8](#)

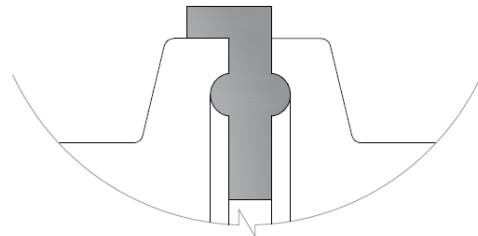
¹Viton® is a registered trade mark of Dupont Dow Elastomer.

Page No: 13

Clamp Gasket - (Type A) Lipped ISO 1127



Assembly Detail



Clamp Gaskets – Series 1

Colour			black	black	white	clear/white
Size	OD	ID	EPDM	FKM (¹ Viton®)	PTFE Solid	Silicone
NS 8	50.5	10.3	302A-E008-IS1	302A-V008-IS1	302A-T008-IS1	302A-S008-IS1
NS 10	50.5	14.0	302A-E010-IS1	302A-V010-IS1	302A-T010-IS1	302A-S010-IS1
NS 15	50.5	18.1	302A-E015-IS1	302A-V015-IS1	302A-T015-IS1	302A-S015-IS1
NS 20	50.5	22.9	302A-E020-IS1	302A-V020-IS1	302A-T020-IS1	302A-S020-IS1
NS 25	50.5	29.7	302A-E025-IS1	302A-V025-IS1	302A-T025-IS1	302A-S025-IS1
NS 32	64.0	38.4	302A-E032-IS1	302A-V032-IS1	302A-T032-IS1	302A-S032-IS1
NS 40	64.0	44.3	302A-E040-IS1	302A-V040-IS1	302A-T040-IS1	302A-S040-IS1
NS 50	77.5	56.3	302A-E050-IS1	302A-V050-IS1	302A-T050-IS1	302A-S050-IS1
NS 65	91.0	72.1	302A-E065-IS1	302A-V065-IS1	302A-T065-IS1	302A-S065-IS1
NS 80	106.0	84.9	302A-E080-IS1	302A-V080-IS1	302A-T080-IS1	302A-S080-IS1
NS 100	130.0	110.3	302A-E100-IS1	302A-V100-IS1	302A-T100-IS1	302A-S100-IS1
NS 125	155.0	135.7	302A-E125-IS1	302A-V125-IS1	302A-T125-IS1	302A-S125-IS1
NS 150	183.0	163.1	302A-E150-IS1	302A-V150-IS1	302A-T150-IS1	302A-S150-IS1
NS 200	233.5	213.9	302A-E200-IS1	302A-V200-IS1	302A-T200-IS1	302A-S200-IS1
NS 250	286.1	267.8	302A-E250-IS1	302A-V250-IS1	302A-T250-IS1	302A-S250-IS1
NS 300	338.5	318.7	302A-E300-IS1	302A-V300-IS1	302A-T300-IS1	302A-S300-IS1

Clamp Gaskets – Series 2

NS 20	50.5	23.7	302A-E020-IS2	302A-V020-IS2	302A-T020-IS2	302A-S020-IS2
NS 25	50.5	30.5	302A-E025-IS2	302A-V025-IS2	302A-T025-IS2	302A-S025-IS2
NS 65	91.0	72.9	302A-E065-IS2	302A-V065-IS2	302A-T065-IS2	302A-S065-IS2

Clamp Gaskets – Series 3

NS 25	50.5	31.3	302A-E025-IS3	302A-V025-IS3	302A-T025-IS3	302A-S025-IS3
-------	------	------	---------------	---------------	---------------	---------------

Clamp Gaskets – Series Metric

NS 8	34.0	10.3	302A-E008-ISM	302A-V008-ISM	302A-T008-ISM	302A-S008-ISM
NS 10	34.0	14.0	302A-E010-ISM	302A-V010-ISM	302A-T010-ISM	302A-S010-ISM
NS 15	34.0	18.1	302A-E015-ISM	302A-V015-ISM	302A-T015-ISM	302A-S015-ISM

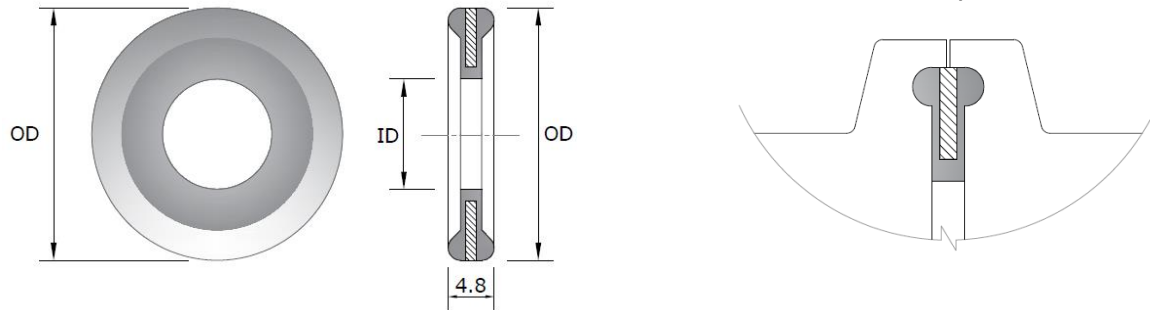
Dimensions are provided in good faith but may be subject to change, if dimensions are critical please call the office to confirm all sizes before placing an order.

DS Clamp Gasket V.1.8

¹Viton® is a registered trade mark of Dupont Dow Elastomer.

Page No: 14

PTFE Envelope Clamp Gasket - (Type A) Lipped ISO 1127



Mini Clamp Gaskets – Series 1

Colour			white	white	white
Size	OD	ID	PTFE/EPDM	PTFE/FKM (¹ Viton®)	PTFE/Silicone
NS 08	22.0	10.3	302K-P008-IS1	302K-Q008-IS1	302K-M008-IS1
NS 10	22.0	14.0	302K-P010-IS1	302K-Q010-IS1	302K-M010-IS1

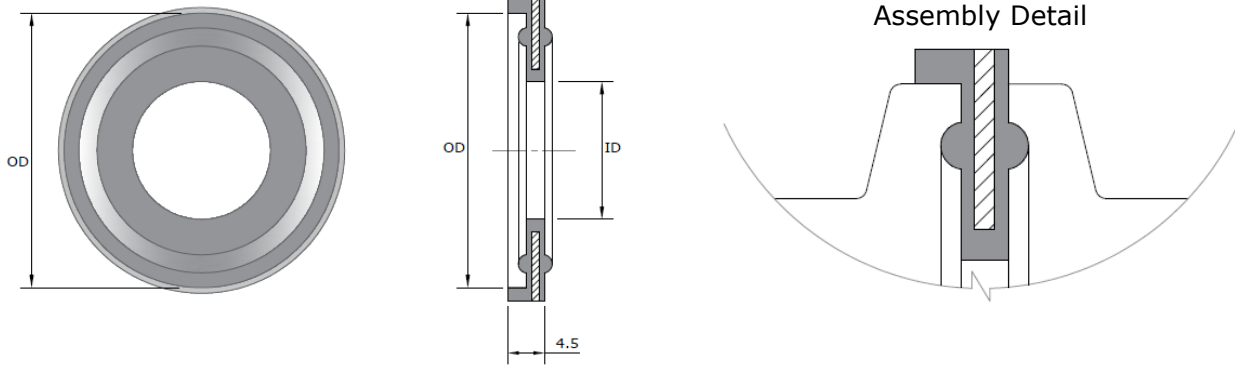
Dimensions are provided in good faith but may be subject to change, if dimensions are critical please call the office to confirm all sizes before placing an order.

DS Clamp Gasket V.1.8

¹Viton® is a registered trade mark of Dupont Dow Elastomer.

Page No: 15

PTFE Envelope Clamp Gasket - (Type A) Lipped ISO 1127



Clamp Gaskets – Series 1

Colour		white	white	white	
Size	OD	ID	PTFE/EPDM	PTFE/FKM (*Viton®)	PTFE/Silicone
NS 8	50.5	10.3	302B-P008-IS1	302B-Q008-IS1	302B-M008-IS1
NS 10	50.5	14.0	302B-P010-IS1	302B-Q010-IS1	302B-M010-IS1
NS 15	50.5	18.1	302B-P015-IS1	302B-Q015-IS1	302B-M015-IS1
NS 20	50.5	22.9	302B-P020-IS1	302B-Q020-IS1	302B-M020-IS1
NS 25	50.5	29.7	302B-P025-IS1	302B-Q025-IS1	302B-M025-IS1
NS 32	64.0	38.4	302B-P032-IS1	302B-Q032-IS1	302B-M032-IS1
NS 40	64.0	44.3	302B-P040-IS1	302B-Q040-IS1	302B-M040-IS1
NS 50	77.5	56.3	302B-P050-IS1	302B-Q050-IS1	302B-M050-IS1
NS 65	91.0	72.1	302B-P065-IS1	302B-Q065-IS1	302B-M065-IS1
NS 80	106.0	84.9	302B-P080-IS1	302B-Q080-IS1	302B-M080-IS1
NS 100	130.0	110.3	302B-P100-IS1	302B-Q100-IS1	302B-M100-IS1
NS 125	155.0	135.7	302B-P125-IS1	302B-Q125-IS1	302B-M125-IS1
NS 150	183.0	163.1	302B-P150-IS1	302B-Q150-IS1	302B-M150-IS1
NS 200	233.5	213.9	302B-P200-IS1	302B-Q200-IS1	302B-M200-IS1
NS 250	286.1	267.8	302B-P250-IS1	302B-Q250-IS1	302B-M250-IS1
NS 300	338.5	318.7	302B-P300-IS1	302B-Q300-IS1	302B-M300-IS1

Clamp Gaskets – Series 2

NS 20	50.5	23.7	302B-P020-IS2	302B-Q020-IS2	302B-M020-IS2
NS 25	50.5	30.5	302B-P025-IS2	302B-Q025-IS2	302B-M025-IS2
NS 65	91.0	72.9	302B-P065-IS2	302B-Q065-IS2	302B-M065-IS2

Clamp Gaskets – Series 3

NS 25	50.5	31.3	302B-P025-IS3	302B-Q025-IS3	302B-M025-IS3
-------	------	------	---------------	---------------	---------------

Clamp Gaskets – Series Metric

NS 8	34.0	10.3	302B-P008-ISM	302B-Q008-ISM	302B-M008-ISM
NS 10	34.0	14.0	302B-P010-ISM	302B-Q010-ISM	302B-M010-ISM
NS 15	34.0	18.1	302B-P015-ISM	302B-Q015-ISM	302B-M015-ISM

Dimensions are provided in good faith but may be subject to change, if dimensions are critical please call the office to confirm all sizes before placing an order.

DS Clamp Gasket V.1.8

*Viton® is a registered trade mark of Dupont Dow Elastomer.

Page No: 16