

Circular Atmospheric Manways

Alchem Process offers a comprehensive range of circular manways, hatches and doors. Available for both atmospheric and pressurised applications, the manways are available in 316 and 304 stainless steel, with a choice of food and pharmaceutical grade seals and O-Rings.

There is an array of different lid designs, hinge positions and sealing arrangements, to suit your application.

The range includes domes, circular manways that can be supplied with a profiled internal seal design and a lid that allows water to drain freely when washed down or exposed to rain water.

Seal replacement is a simple operation, where the gasket is stretched over the flanged neck ring, and its profiled design ensures a snug fit and smooth interface between the neck and lid.

Specific manways for the wine industry are offered with drip cowlings to minimise spillage when loading, inspecting or taking samples from the vessel.

Traditional hatches with standard O-Ring gaskets are also offered with locking hinges, single and double lever arm construction and also the standard hinged and multi-clamp closure design.

We also offer a fabrication service, and can provide manways with safety grids, additional handles, or even remove the hinges in areas where headroom is limited.

Sight Glasses and pressure relief valves can also be installed.

Special neck rings are also available for use with wooden tanks, concrete and glass fibre vessels.

Sight glass manways are now available where the lid incorporates an integral glass viewer, giving a much larger viewing area than with a traditional flange type sight glass.

Features

- Several closure systems are offered, including multi-clamp and lever arm
- Domed cover facilitates self-draining properties
- 316L and 304L stainless steel materials offered as standard
- Bright polished lid and brushed neck ring
- High pressure and atmospheric manways
- Sizes range available from 150 to 1600mm
- Nylon handles offered as standard with SS handles and levers available

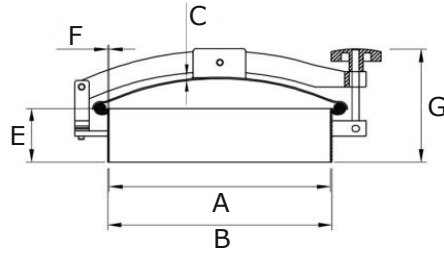
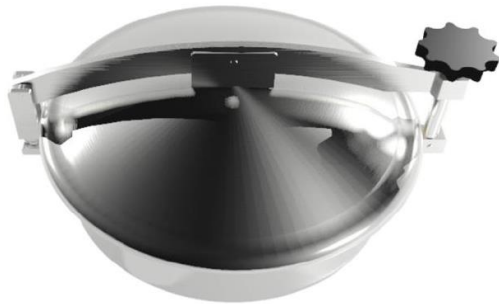
Options

- Sight glasses and pressure relief valves
- Range of handles and stainless steel wing nuts
- Polishing to customer specification, such as 0.8µM Ra internally
- Full range of seal materials, including EPDM, Silicone and Viton®/FKM
- Safety grids, crosses and meshes

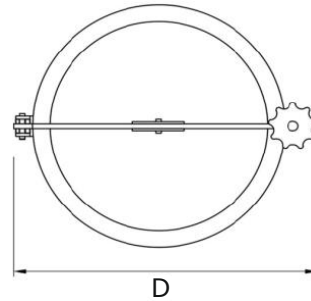


Dimensions are provided in good faith but may be subject to change, if dimensions are critical please call the office to confirm all sizes before placing an order.

M128-A08 – Domed Atmospheric Manway – Outward Opening with Single Arm



Section Detail



Plan Detail

A (mm)	B (mm)	C (mm)	D (mm)	E (mm)	F (mm)	G (mm)	H (mm)	Working Pressure Range (bar)	Weight (kg)	Part No
200	205	2.0	320	100	2.5	240	~	-0.5 / +0.2	3.6	M128-A08-200
300	305	2.0	425	100	2.5	240	~	-0.5 / +0.2	5.4	M128-A08-300
420	425	2.5	560	100	2.5	240	~	-0.5 / +0.2	10.0	M128-A08-420
460	465	2.5	605	100	2.5	240	~	-0.5 / +0.2	10.8	M128-A08-460
500	505	2.5	640	100	2.5	240	~	-0.5 / +0.2	12.4	M128-A08-500
600	605	2.5	740	100	2.5	240	~	-0.5 / +0.2	13.6	M128-A08-600

Materials:

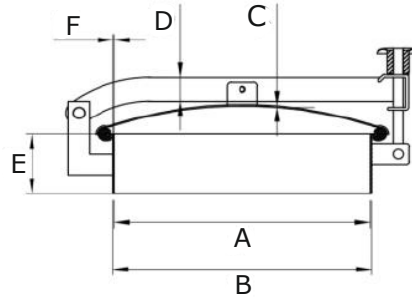
1. M128-A: 316L Stainless Steel
2. M128-C: 304L Stainless Steel

Other materials also available:

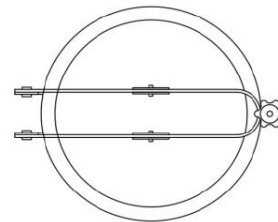
1. L – Natural Rubber
2. E – EPDM
3. N – Nitrile
4. V – FKM

Dimensions are provided in good faith but may be subject to change, if dimensions are critical please call the office to confirm all sizes before placing an order.

M128-A15 – Domed Atmospheric Manway – Outward Opening with Double Arm



Section Detail



Plan Detail

A (mm)	B (mm)	C (mm)	D (mm)	E (mm)	F (mm)	G (mm)	H (mm)	Working Pressure Range (bar)	Weight (kg)	Part No
420	425	2.5	40	100	2.5	~	~	-0.5 / +0.3	10.5	M128-A15-420
460	465	2.5	40	100	2.5	~	~	-0.5 / +0.3	11.0	M128-A15-460
500	505	2.5	40	100	2.5	~	~	-0.5 / +0.3	13.0	M128-A15-500
600	605	2.5	40	100	2.5	~	~	-0.5 / +0.3	14.4	M128-A15-600
700	706	3.0	40	100	3.0	~	~	-0.5 / +0.3	~	M128-A15-700
800	806	3.0	40	100	3.0	~	~	-0.5 / +0.3	~	M128-A15-800

Materials:

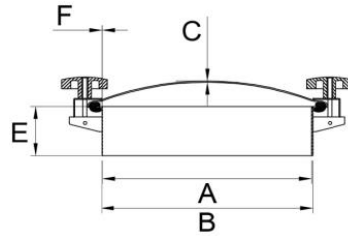
1. M128-A: 316L Stainless Steel
2. M128-C: 304L Stainless Steel

Other materials also available:

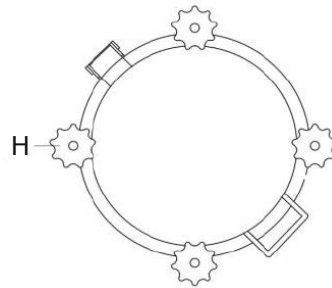
1. L – Natural Rubber
2. E – EPDM
3. N – Nitrile
4. V – FKM

Dimensions are provided in good faith but may be subject to change, if dimensions are critical please call the office to confirm all sizes before placing an order.

M127-A20 – Domed Atmospheric Manway – Outward Opening with Multi Clamp



Section Detail



Plan Detail

A (mm)	B (mm)	C (mm)	D (mm)	E (mm)	F (mm)	G (mm)	H (handles)	Working Pressure Range (bar)	Weight (kg)	Part No
200	205	2.0	~	100	2.5	~	3	-0.5 / +0.2	3.1	M127-A20-200
300	305	2.0	~	100	2.5	~	4	-0.5 / +0.2	4.9	M127-A20-300
420	425	2.5	~	100	2.5	~	4	-0.5 / +0.2	9.5	M127-A20-420
460	465	2.5	~	100	2.5	~	4	-0.5 / +0.2	10.3	M127-A20-460
500	505	2.5	~	100	2.5	~	4	-0.5 / +0.2	11.9	M127-A20-500
600	605	2.5	~	100	2.5	~	5	-0.5 / +0.2	13.1	M127-A20-600
700	706	3.0	~	100	3.0	~	6	-0.5 / +0.2	~	M127-A20-700
800	806	3.0	~	100	3.0	~	8	-0.5 / +0.2	~	M127-A20-800
900	906	3.0	~	100	3.0	~	8	-0.5 / +0.2	~	M127-A20-900
1000	1006	3.0	~	100	3.0	~	10	-0.5 / +0.2	~	M127-A20-1000
1200	1206	3.0	~	100	3.0	~	10	-0.5 / +0.2	~	M127-A20-1200
1400	1406	3.0	~	100	3.0	~	12	-0.5 / +0.2	~	M127-A20-1400
1500	1506	3.0	~	100	3.0	~	14	-0.5 / +0.2	~	M127-A20-1500
1600	1606	3.0	~	100	3.0	~	16	-0.5 / +0.2	~	M127-A20-1600

Materials:

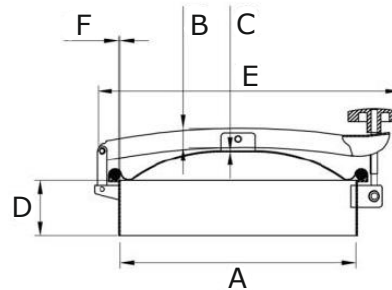
1. M127-A: 316L Stainless Steel
2. M127-C: 304L Stainless Steel

Other materials also available:

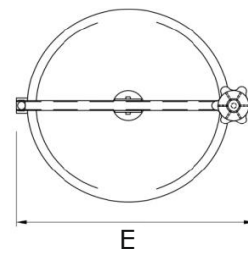
1. L – Natural Rubber
2. E – EPDM
3. N – Nitrile
4. V – FKM

Dimensions are provided in good faith but may be subject to change, if dimensions are critical please call the office to confirm all sizes before placing an order.

M12E-A10 – Atmospheric Manway – Single Lever Arm



Section Detail



Plan Detail

A (mm)	B (mm)	C (mm)	D (mm)	E (mm)	F (mm)	G (mm)	H (handles)	Working Pressure Range (bar)	Weight (kg)	Part No
150	25	1.5	45/90	260	2.0	~	1	+0.2	2.5	M12E-A10-150
200	25	2.0	50/100	310	2.5	~	1	+0.2	3.5	M12E-A10-200
250	25	1.5	50/100	360	2.5	~	1	+0.2	3.8	M12E-A10-250
300	25	1.5	50/100	410	2.5	~	1	+0.2	4.5	M12E-A10-300
360	25	1.5	50/100	470	2.5	~	1	+0.2	5.6	M12E-A10-360
385	25	1.5	50/100	495	2.5	~	1	+0.2	6.0	M12E-A10-385
420	25	1.5	50/100	530	2.5	~	1	+0.2	6.5	M12E-A10-420
455	25	1.5	50/100	570	2.5	~	1	+0.2	7.2	M12E-A10-455
500	25	1.5	50/100	610	2.5	~	1	+0.2	8.2	M12E-A10-500
600	25	2.0	50/100	710	2.5	~	1	+0.2	12.7	M12E-A10-600

Materials:

1. M12E-A: 316L Stainless Steel
2. M12E-C: 304L Stainless Steel

Other materials also available:

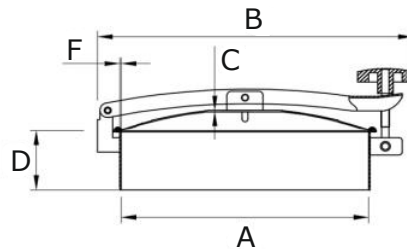
1. L – Natural Rubber
2. E – EPDM
3. N – Nitrile
4. V – FKM

Dimensions are provided in good faith but may be subject to change, if dimensions are critical please call the office to confirm all sizes before placing an order.

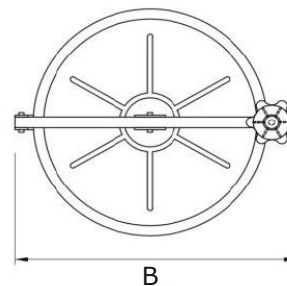
[DS Circular Manways V 1.2](#)

Page No: 5

M12E-A09 – Atmospheric Manway – Single Level Armed



Section Detail



Plan Detail

A (mm)	B (mm)	C (mm)	D (mm)	E (mm)	F (mm)	G (mm)	H (handles)	Working Pressure Range (bar)	Weight (kg)	Part No
150	260	1.5	45/90	~	2.5	~	1	+0.02	2.5	M12E-A09-150
200	310	2.0	50/100	~	2.5	~	1	+0.02	3.0	M12E-A09-200
250	360	1.5	50/100	~	2.5	~	1	+0.02	3.8	M12E-A09-250
300	410	1.5	50/100	~	2.5	~	1	+0.02	4.5	M12E-A09-300
360	470	1.5	50/100	~	2.5	~	1	+0.02	5.6	M12E-A09-360
385	495	1.5	50/100	~	2.5	~	1	+0.02	6.0	M12E-A09-385
420	530	1.5	50/100	~	2.5	~	1	+0.02	6.5	M12E-A09-420
455	565	1.5	50/100	~	2.5	~	1	+0.02	7.2	M12E-A09-455
500	610	1.5	50/100	~	2.5	~	1	+0.02	8.2	M12E-A09-500
600	710	2.0	50/100	~	2.5	~	1	+0.02	12.7	M12E-A09-600

Materials:

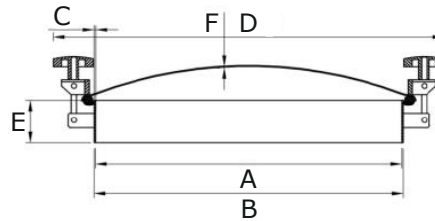
1. M12E-A: 316L Stainless Steel
2. M12E-C: 304L Stainless Steel

Other materials also available:

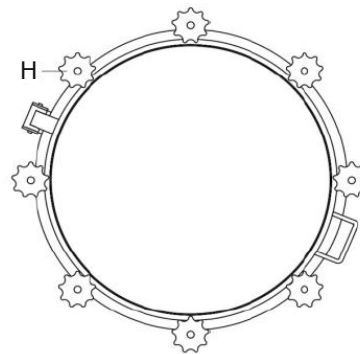
1. L – Natural Rubber
2. E – EPDM
3. N – Nitrile
4. V – FKM

Dimensions are provided in good faith but may be subject to change, if dimensions are critical please call the office to confirm all sizes before placing an order.

M12F-A14 – Circular Atmospheric Manway – Hinged with Multi Clamp



Section Detail



Plan Detail

A (mm)	B (mm)	C (mm)	D (mm)	E (mm)	F (mm)	G (mm)	H (handles)	Working Pressure Range (bar)	Weight (kg)	Part No
500	505	2.5	700	100	2.5	~	6	-0.8 / +0.3	~	M12F-A14-500
600	605	2.5	800	100	2.5	~	6	-0.8 / +0.3	~	M12F-A14-600
700	706	3.0	900	100	3.0	~	6	-0.8 / +0.3	~	M12F-A14-700
800	806	3.0	1000	100	3.0	~	8	-0.8 / +0.3	38.0	M12F-A14-800
900	906	3.0	1100	100	3.0	~	8	-0.8 / +0.3	~	M12F-A14-900
1000	1006	3.0	1200	100	3.0	~	10	-0.8 / +0.3	44.0	M12F-A14-1000
1200	1206	3.0	1400	100	3.0	~	10	-0.8 / +0.3	50.0	M12F-A14-1200
1400	1406	3.0	1500	100	3.0	~	12	-0.8 / +0.3	~	M12F-A14-1400
1500	1506	3.0	1700	100	3.0	~	14	-0.8 / +0.3	~	M12F-A14-1500
1600	1606	3.0	1800	100	3.0	~	16	-0.8 / +0.3	~	M12F-A14-1600

Materials:

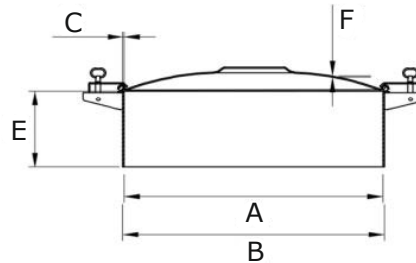
1. M12F-A: 316L Stainless Steel
2. M12F-C: 304L Stainless Steel

Other materials also available:

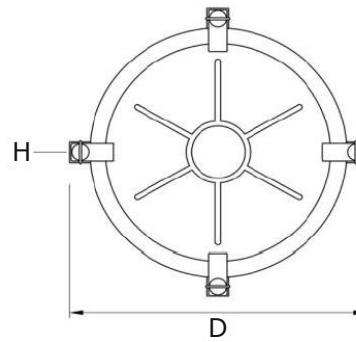
1. L – Natural Rubber
2. E – EPDM
3. N – Nitrile
4. V – FKM

Dimensions are provided in good faith but may be subject to change, if dimensions are critical please call the office to confirm all sizes before placing an order.

M12G-A12 –Atmospheric Manway Multi Clamp – No Hinge



Section Detail



Plan Detail

A (mm)	B (mm)	C (mm)	D (mm)	E (mm)	F (mm)	H (handles)	Working Pressure Range (bar)	Weight (kg)	Part No
150	155	2.5	285	45/90	1.5	3	-0.5 / +0.2	3.0	M12G-A12-150
200	205	2.5	335	50/100	1.5	4	-0.5 / +0.2	3.5	M12G-A12-200
250	255	2.5	385	50/100	1.5	4	-0.5 / +0.2	4.3	M12G-A12-250
300	305	2.5	435	50/100	1.5	4	-0.5 / +0.2	5.0	M12G-A12-300
360	365	2.5	495	50/100	1.5	4	-0.5 / +0.2	6.1	M12G-A12-360
385	390	2.5	520	50/100	1.5	4	-0.5 / +0.2	6.5	M12G-A12-385
420	425	2.5	555	50/100	1.5	4	-0.5 / +0.2	7.0	M12G-A12-420
455	460	2.5	590	50/100	1.5	4	-0.5 / +0.2	7.7	M12G-A12-455
500	505	2.5	635	50/100	1.5	4	-0.5 / +0.2	8.7	M12G-A12-500
600	605	2.5	735	50/100	2.0	5	-0.5 / +0.2	13.2	M12G-A12-600

Materials:

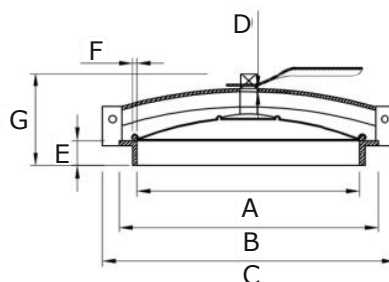
1. M12G-A: 316L Stainless Steel
2. M12G-C: 304L Stainless Steel

Other materials also available:

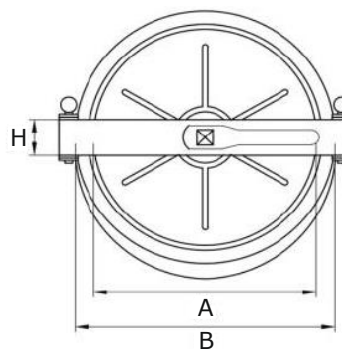
1. L – Natural Rubber
2. E – EPDM
3. N – Nitrile
4. V – FKM

Dimensions are provided in good faith but may be subject to change, if dimensions are critical please call the office to confirm all sizes before placing an order.

M12H-A01 to 05 – Wine Cooper Manway – Outward Opening (Atmospheric Pressure)



Section Detail



Plan Detail

A (mm)	B (mm)	C (mm)	D (mm)	E (mm)	F (mm)	G (mm)	H (mm)	Working Pressure Range (bar)	Weight (kg)	Part No
420	485	536	2.0	47	10	196	87	-1.0 / +0.8	16.0	M12H-A01-420
420	~	549	3.0	70	15	242	76	-1.0 / +3.5	28.4	M12H-A02-420
300	~	430	2.0	70	15	~	93	-1.0 / +1.3	17.0	M12H-A03-300
360	~	490	2.0	70	15	~	93	-1.0 / +1.3	18.3	M12H-A03-360
420	~	550	2.0	70	15	~	93	-1.0 / +1.3	22.7	M12H-A03-420
500	~	630	2.0	70	15	~	93	-1.0 / +0.7	32.0	M12H-A03-500
412	458	534	2.0	86	5	270	85	-1.0 / +0.9	14.6	M12H-A04-420
300	370	410	2.0	78	3	~	81	-1.0 / +0.7	8.0	M12H-A05-300
420	490	530	2.0	78	3	~	81	-1.0 / +0.7	10.8	M12H-A05-420

Materials:

1. M12H-A: 316L Stainless Steel
2. M12H-C: 304L Stainless Steel

Other materials also available:

1. L – Natural Rubber
2. E – EPDM
3. N – Nitrile
4. V – FKM

Dimensions are provided in good faith but may be subject to change, if dimensions are critical please call the office to confirm all sizes before placing an order.