

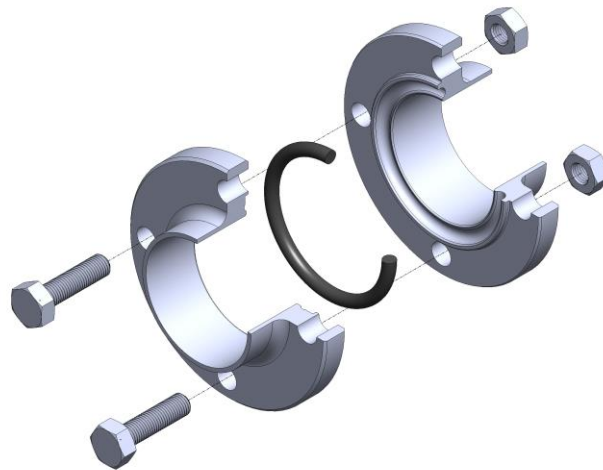
DIN 11864-2/DIN 11853-2 Aseptic Flange Union for DIN 11866/11850 Tube

DIN 11864-2/DIN 11853-2 Aseptic Flange Union

This range of aseptic fittings has been developed by the German hygienic industry to meet the exacting needs of the food, chemical and pharmaceutical industries.

Three designs of pipe fittings have been tailored to accept 2 different styles of aseptic seals that effect a smooth interface within the pipe work whilst simultaneously achieving a metal to metal seat behind the joint.

The seal sections used are referenced as "Form A" and "Form B" and both have distinctive profiles that are easily recognised. Form A is an O Ring Joint whilst Form B is a 2-part Square seal with a secondary internal diamond section.



Available with optional lengths to suit Orbital and Manual Welding, these unions have been designed to match tube and pipe specifications in DIN 11850; ISO 2037, ASME BPE 2002 and BS 4825 Part 1 and also ISO 1127 for schedule pipe.

Size range: 10mm to 300mm

Materials: 316L SS

Related standards:

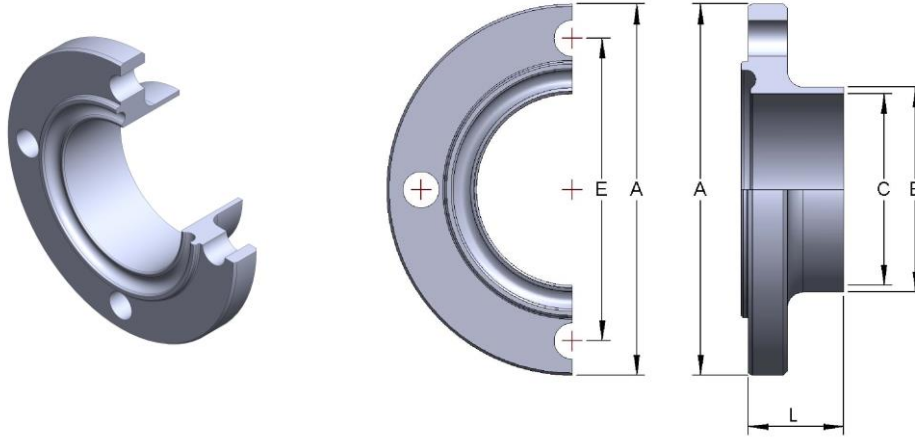
DIN 11864-1 Form A - Aseptic Screwed Union
DIN 11864-2 Form A - Aseptic Flange Union
DIN 11864-3 Form A - Aseptic Tri-Clamp Union
DIN 11866 / 11850 / 11865
ISO 1127
ISO 2037 / BS 4825 / ASME BPE 2014
DIN 11853 (Type 1 only)

Dimensions are provided in good faith but may be subject to change, if dimensions are critical please call the office to confirm all sizes before placing an order.

[DS Aseptic Flange Union DIN 11864-2 DIN 11850/11866 V 1.2](#)

Page No: 1

**A06E – DIN 11864-2/11853-2 “Form A”
Male Nut Flange - 316L - DIN 11866/DIN 11850**

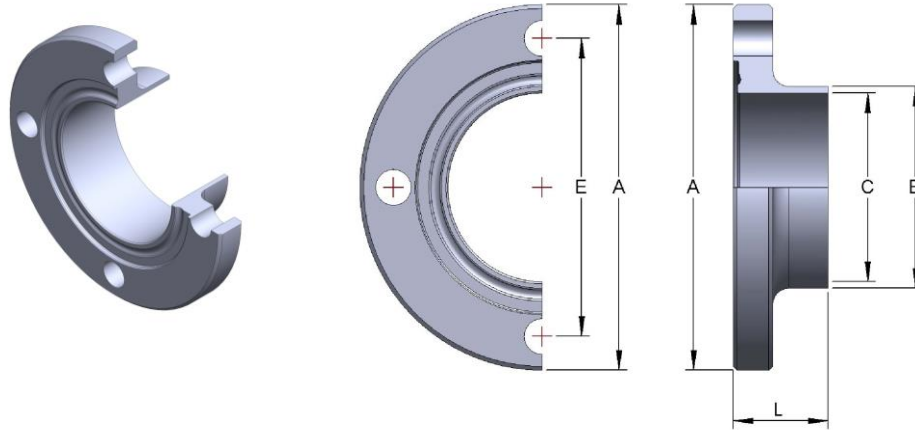


Size	A	B	C	E Hole Detail	L1 (Orbital Weld) DIN 11864-2	L2 (Manual Weld) DIN 11853-2	Part No DIN 11864-2	Part No DIN 11853-2
DN 10	54	13	10	37 PCD (4 x Ø 9)	41.5	25.5	A06E-A010-64	A06E-A010-53
DN 15	59	19	16	42 PCD (4 x Ø 9)	41.5	25.5	A06E-A015-64	A06E-A015-53
DN 20	64	23	20	47 PCD (4 x Ø 9)	41.5	25.5	A06E-A020-64	A06E-A020-53
DN 25	70	29	26	53 PCD (4 x Ø 9)	41.5	25.5	A06E-A025-64	A06E-A025-53
DN 32	76	35	32	59 PCD (4 x Ø 9)	46.5	25.5	A06E-A032-64	A06E-A032-53
DN 40	82	41	38	65 PCD (4 x Ø 9)	46.5	25.5	A06E-A040-64	A06E-A040-53
DN 50	94	53	50	77 PCD (4 x Ø 9)	46.5	25.5	A06E-A050-64	A06E-A050-53
DN 65	113	70	66	95 PCD (8 x Ø 9)	55.5	25.5	A06E-A065-64	A06E-A065-53
DN 80	133	85	81	112 PCD (8 x Ø 11)	59.5	27.5	A06E-A080-64	A06E-A080-53
DN 100	159	104	100	137 PCD (8 x Ø 11)	59.5	27.5	A06E-A100-64	A06E-A100-53
DN 125	183	129	125	161 PCD (8 x Ø 11)	61.5	29.5	A06E-A125-64	A06E-A125-53
DN 150	213	154	150	188 PCD (8 x Ø 14)	61.5	29.5	A06E-A150-64	A06E-A150-53
DN 200	340	200	204	295 PCD (12 x Ø 15)	60.0	-	A06E-A200-64	-
DN 250	405	250	254	355 PCD (12 x Ø 15)	60.0	-	A06E-A250-64	-
DN 300	460	300	304	410 PCD (12 x Ø 15)	75.0	-	A06E-A300-64	-

**Dimension “L” includes the sealing face raised spigot
Bold items are specials and are not included in the standard**

Dimensions are provided in good faith but may be subject to change, if dimensions are critical please call the office to confirm all sizes before placing an order.

**A06F – DIN 11864-2/11853-2 "Form A"
Female Liner Flange - 316L - DIN 11866/DIN 11850**

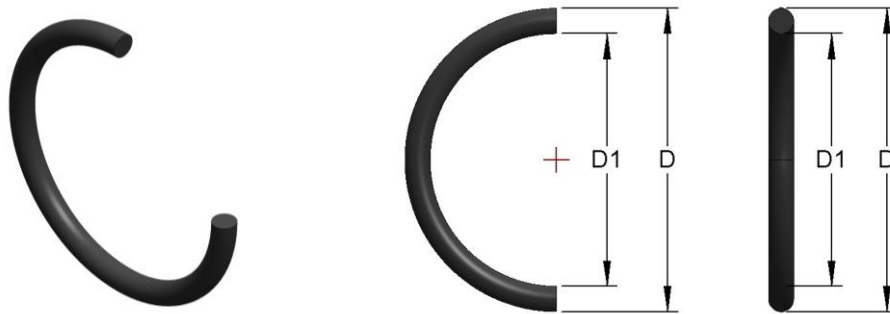


Size	A	B	C	E Hole Detail	L1 (Orbital Weld) DIN 11864-2	L2 (Manual Weld) DIN 11853-2	Part No DIN 11864-2	Part No DIN 11853-2
DN 10	54	13	10	37 PCD (4 x Ø 9)	40	24	A06F-A010-64	A06F-A010-53
DN 15	59	19	16	42 PCD (4 x Ø 9)	40	24	A06F-A015-64	A06F-A015-53
DN 20	64	23	20	47 PCD (4 x Ø 9)	40	24	A06F-A020-64	A06F-A020-53
DN 25	70	29	26	53 PCD (4 x Ø 9)	40	24	A06F-A025-64	A06F-A025-53
DN 32	76	35	32	59 PCD (4 x Ø 9)	45	24	A06F-A032-64	A06F-A032-53
DN 40	82	41	38	65 PCD (4 x Ø 9)	45	24	A06F-A040-64	A06F-A040-53
DN 50	94	53	50	77 PCD (4 x Ø 9)	45	24	A06F-A050-64	A06F-A050-53
DN 65	113	70	66	95 PCD (8 x Ø 9)	54	24	A06F-A065-64	A06F-A065-53
DN 80	133	85	81	112 PCD (8 x Ø 11)	58	26	A06F-A080-64	A06F-A080-53
DN 100	159	104	100	137 PCD (8 x Ø 11)	58	26	A06F-A100-64	A06F-A100-53
DN 125	183	129	125	161 PCD (8 x Ø 11)	60	28	A06F-A125-64	A06F-A125-53
DN 150	213	154	150	188 PCD (8 x Ø 14)	60	28	A06F-A150-64	A06F-A150-53
DN 200	340	200	204	295 PCD (12 x Ø 15)	60	-	A06F-A200-64	-
DN 250	405	250	254	355 PCD (12 x Ø 15)	60	-	A06F-A250-64	-
DN 300	460	300	304	410 PCD (12 x Ø 15)	75	-	A06F-A300-64	-

**Dimension "L" includes the sealing face raised spigot
Bold items are specials and are not included in the standard**

Dimensions are provided in good faith but may be subject to change, if dimensions are critical please call the office to confirm all sizes before placing an order.

**DIN 11864/11853 "Form A" O Ring Union Seal
DIN 11866/DIN 11850**

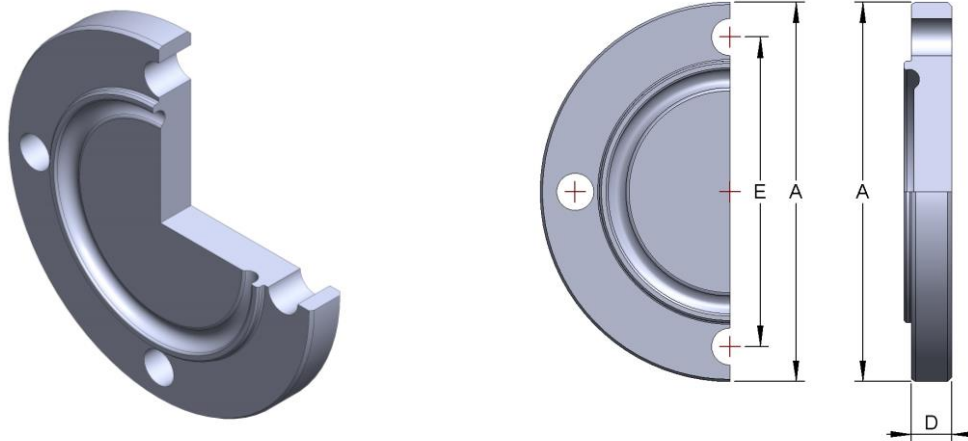


Size	D1	D	Section	Part No EPDM	Part No FKM
DN 10	12	19	3.5	A030-E010	A030-V010
DN 15	18	25	3.5	A030-E015	A030-V015
DN 20	22	29	3.5	A030-E020	A030-V020
DN 25	28	35	3.5	A030-E025	A030-V025
DN 32	34	44	5	A030-E032	A030-V032
DN 40	40	50	5	A030-E040	A030-V040
DN 50	52	62	5	A030-E050	A030-V050
DN 65	68	78	5	A030-E065	A030-V065
DN 80	83	93	5	A030-E080	A030-V080
DN 100	102	112	5	A030-E100	A030-V100
DN 125	127	137	5	A030-E125	A030-V125
DN 150	152	162	5	A030-E150	A030-V150
DN 200	202	212	5	A030-E200	A030-V200
DN 250	252	262	5	A030-E250	A030-V250
DN 300	302	312	5	A030-E300	A030-V300

Bold items are specials and are not included in the standard

Dimensions are provided in good faith but may be subject to change, if dimensions are critical please call the office to confirm all sizes before placing an order.

**A06G – DIN 11864-2/11853-2 "Form A"
Male Nut Flange Blank - 316L SS
DIN 11866/DIN 11850**



Size	A	E Hole Detail	D	Part No
DN 10	54	37 PCD (4 x Ø 9)	11.5	A06G-A010
DN 15	59	42 PCD (4 x Ø 9)	11.5	A06G-A015
DN 20	64	47 PCD (4 x Ø 9)	11.5	A06G-A020
DN 25	70	53 PCD (4 x Ø 9)	11.5	A06G-A025
DN 32	76	59 PCD (4 x Ø 9)	11.5	A06G-A032
DN 40	82	65 PCD (4 x Ø 9)	11.5	A06G-A040
DN 50	94	77 PCD (4 x Ø 9)	11.5	A06G-A050
DN 65	113	95 PCD (8 x Ø 9)	11.5	A06G-A065
DN 80	133	112 PCD (8 x Ø 11)	13.5	A06G-A080
DN 100	159	137 PCD (8 x Ø 11)	15.5	A06G-A100
DN 125	183	161 PCD (8 x Ø 11)	15.5	A06G-A125
DN 150	213	188 PCD (8 x Ø 14)	17.5	A06G-A150
DN 200	340	295 PCD (12 x Ø 15)	-	A06G-A200
DN 250	405	355 PCD (12 x Ø 15)	-	A06G-A250
DN 300	460	410 PCD (12 x Ø 15)	-	A06G-A300

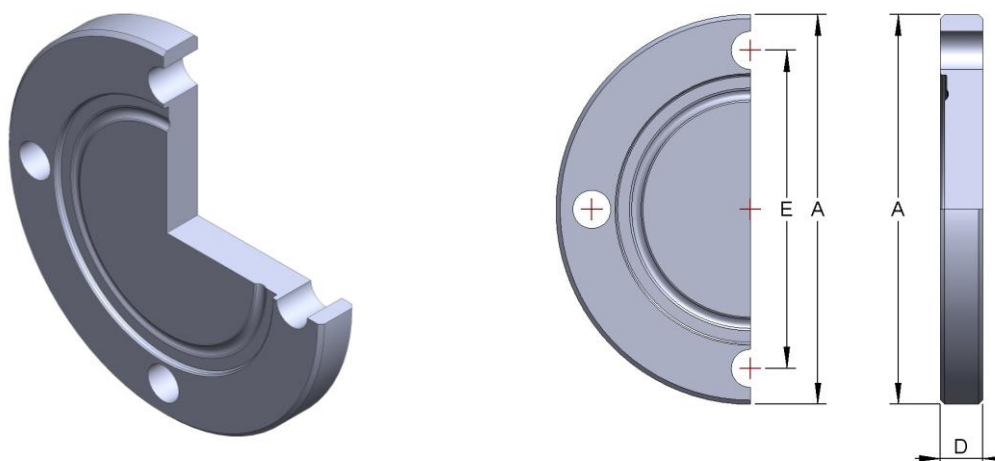
**Dimension "D" includes the sealing face raised spigot
Bold items are specials and are not included in the standard**

Dimensions are provided in good faith but may be subject to change, if dimensions are critical please call the office to confirm all sizes before placing an order.

[DS Aseptic Flange Union DIN 11864-2 DIN 11850/11866 V 1.2](#)

Page No: 5

**A06H – DIN 11864-2/11853-2 “Form A”
Female Liner Flange Blank - 316L SS
DIN 11866/DIN 11850**



Size	A	E Hole Detail	D	Part No
DN 10	54	37 PCD (4 x Ø 9)	10	A06H-A010
DN 15	59	42 PCD (4 x Ø 9)	10	A06H-A015
DN 20	64	47 PCD (4 x Ø 9)	10	A06H-A020
DN 25	70	53 PCD (4 x Ø 9)	10	A06H-A025
DN 32	76	59 PCD (4 x Ø 9)	10	A06H-A032
DN 40	82	65 PCD (4 x Ø 9)	10	A06H-A040
DN 50	94	77 PCD (4 x Ø 9)	10	A06H-A050
DN 65	113	95 PCD (8 x Ø 9)	10	A06H-A065
DN 80	133	112 PCD (8 x Ø 11)	12	A06H-A080
DN 100	159	137 PCD (8 x Ø 11)	14	A06H-A100
DN 125	183	161 PCD (8 x Ø 11)	14	A06H-A125
DN 150	213	188 PCD (8 x Ø 14)	16	A06H-A150
DN 200	340	295 PCD (12 x Ø 15)	-	A06H-A200
DN 250	405	355 PCD (12 x Ø 15)	-	A06H-A250
DN 300	460	410 PCD (12 x Ø 15)	-	A06H-A300

**Dimension “D” includes the sealing face raised spigot
Bold items are specials and are not included in the standard**

Dimensions are provided in good faith but may be subject to change, if dimensions are critical please call the office to confirm all sizes before placing an order.

DS Aseptic Flange Union DIN 11864-2 DIN 11850/11866 V 1.2

Page No: 6