

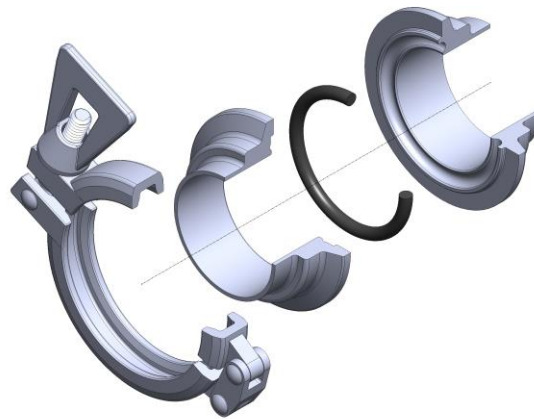
DIN 11864-3/DIN 11853-3 Aseptic Clamp Unions for ISO 1127 Schedule Pipe

DIN 11864-3/DIN 11853-3 Aseptic Clamp Unions

This range of aseptic fittings has been developed by the German hygienic industry to meet the exacting needs of the pharmaceutical, food and fine chemical industries.

Three designs of pipe fittings have been tailored to accept 2 different types of aseptic seals that effect a smooth interface within the pipe work whilst simultaneously achieving a metal to metal seat behind the joint.

The seal sections used are referenced as "Form A" and "Form B" and both have distinctive profiles that are easily recognised. Form A is an O Ring Joint whilst Form B is a 2-part Square section seal with a secondary internal diamond section.



The Type 3 design is based on the 3A Clamp union and uses the flange diameters common to the Metric DIN 32676 Standard.

Available with optional lengths to suit Orbital and Manual Welding, these unions have been designed to match tube and pipe specifications including DIN 11850 / 11866; ISO 2037; ASME BPE 2002 and BS 4825 Part 1 and also the ISO 1127 Standard for schedule pipe.

Size range: NS8 to NS80

Materials: 316L SS

Related standards:

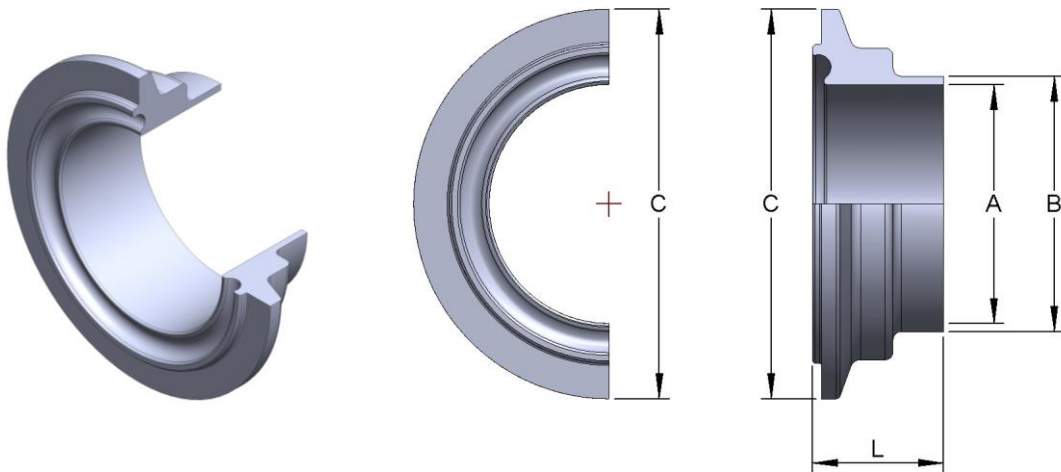
DIN 11864-1 Form A - Aseptic Screwed Union
DIN 11864-2 Form A - Aseptic Flange Union
DIN 11864-3 Form A - Aseptic Clamp Union
DIN 11866 / 11850 / 11865
ISO 1127
ISO 2037 / BS 4825 / ASME BPE 2014
DIN 11853 (Type 1 only)

Dimensions are provided in good faith but may be subject to change, if dimensions are critical please call the office to confirm all sizes before placing an order.

[DS Aseptic Clamp Union DIN 11864-3 ISO 1127 V 1.4](#)

Page No: 1

**A140 – DIN 11864-3/11853-3 "Form A"
Clamp Ferrule Male - 316L SS - ISO 1127 Schedule Pipe**



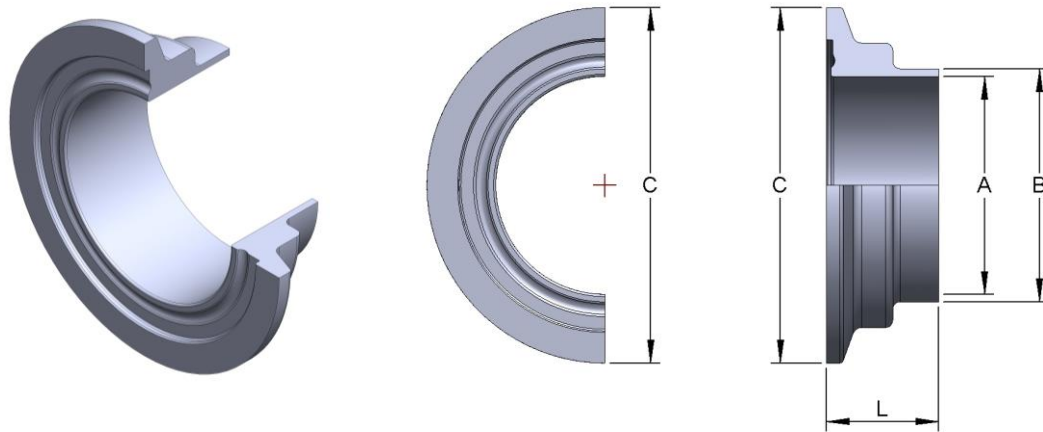
Size	A	B	C	L1 (Orbital Weld) DIN 11864-2	L2 (Manual Weld) DIN 11853-2	Part No DIN 11864-2	Part No DIN 11853-2
NS 8	10.3	13.5	34.0	39.5	23.5	A140-A0135-64	A140-A0135-53
NS 10	14.0	17.2	34.0	39.5	23.5	A140-A0172-64	A140-A0172-53
NS 15	18.1	21.3	34.0	40.5	23.5	A140-A0213-64	A140-A0213-53
NS 20	23.7	26.9	50.5	40.0	23.5	A140-A0269-64	A140-A0269-53
NS 25	29.7	33.7	50.5	45.5	25.5	A140-A0337-64	A140-A0337-53
NS 32	38.4	42.4	64.0	45.5	25.5	A140-A0424-64	A140-A0424-53
NS 40	44.3	48.3	64.0	46.5	26.5	A140-A0483-64	A140-A0483-53
NS 50	56.3	60.3	91.0	58.5	28.5	A140-A0603-64	A140-A0603-53
NS 65	72.1	76.1	106.0	60.0	30.0	A140-A0761-64	A140-A0761-53
NS 80	84.3	88.9	119.0	62.5	32.5	A140-A0889-64	A140-A0889-53

Dimensions are provided in good faith but may be subject to change, if dimensions are critical please call the office to confirm all sizes before placing an order.

DS Aseptic Clamp Union DIN 11864-3 ISO 1127 V 1.4

Page No: 2

**A141 – DIN 11864-3/11853-3 "Form A"
Clamp Ferrule Female - 316L SS - ISO 1127 Schedule Pipe**



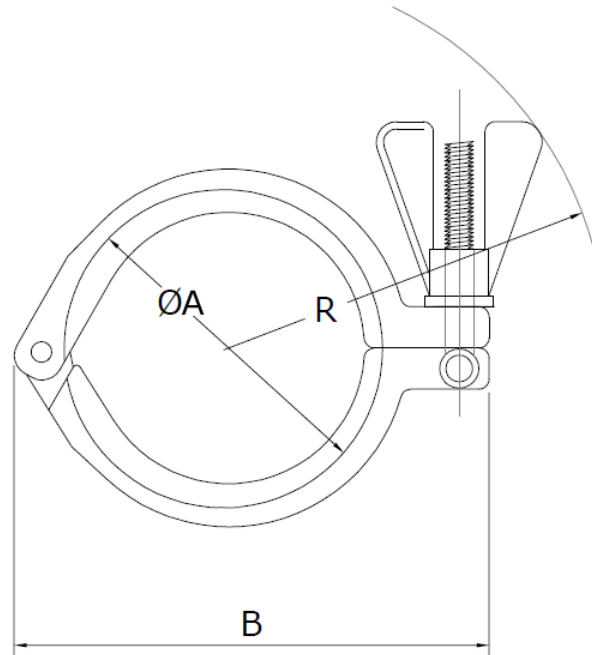
Size	A	B	C	L1 (Orbital Weld) DIN 11864-2	L2 (Manual Weld) DIN 11853-2	Part No DIN 11864-2	Part No DIN 11853-2
NS 8	10.3	13.5	34.0	38.0	22.0	A141-A0135-64	A141-A0135-53
NS 10	14.0	17.2	34.0	38.0	22.0	A141-A0172-64	A141-A0172-53
NS 15	18.1	21.3	34.0	38.0	22.0	A141-A0213-64	A141-A0213-53
NS 20	23.7	26.9	50.5	38.0	22.0	A141-A0269-64	A141-A0269-53
NS 25	29.7	33.7	50.5	38.5	24.0	A141-A0337-64	A141-A0337-53
NS 32	38.4	42.4	64.0	44.0	24.0	A141-A0424-64	A141-A0424-53
NS 40	44.3	48.3	64.0	44.0	25.0	A141-A0483-64	A141-A0483-53
NS 50	56.3	60.3	91.0	44.5	27.0	A141-A0603-64	A141-A0603-53
NS 65	72.1	76.1	106.0	56.5	28.5	A141-A0761-64	A141-A0761-53
NS 80	84.3	88.9	119.0	58.5	31.0	A141-A0889-64	A141-A0889-53

Dimensions are provided in good faith but may be subject to change, if dimensions are critical please call the office to confirm all sizes before placing an order.

DS Aseptic Clamp Union DIN 11864-3 ISO 1127 V 1.4

Page No: 3

**3017 – DIN 11864-3/11853-3 Clamp - 304 SS
ISO 1127 Schedule Pipe**



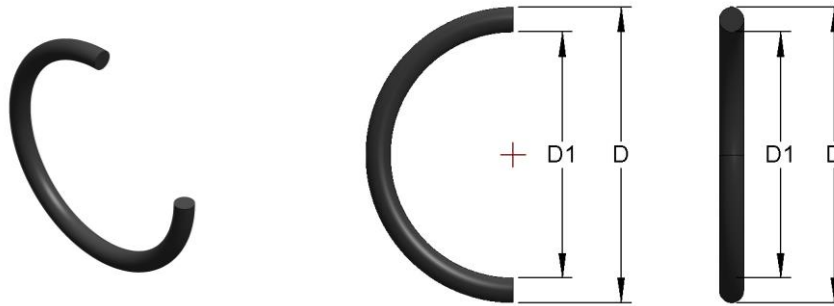
Size	B	R	D	Part No
NS 8	69	73	34.0	3017-C010-020
NS 10	69	73	34.0	3017-C010-020
NS 15	69	73	34.0	3017-C010-020
NS 20	85	78	50.5	3017-C026-038
NS 25	85	78	50.5	3017-C026-038
NS 32	99	82	64.0	3017-C051
NS 40	99	82	64.0	3017-C051
NS 50	126	96	91.0	3017-C076
NS 65	140	103	106.0	3017-C089
NS 80	165	115	119.0	3017-C102

Dimensions are provided in good faith but may be subject to change, if dimensions are critical please call the office to confirm all sizes before placing an order.

[DS Aseptic Clamp Union DIN 11864-3 ISO 1127 V 1.4](#)

Page No: 4

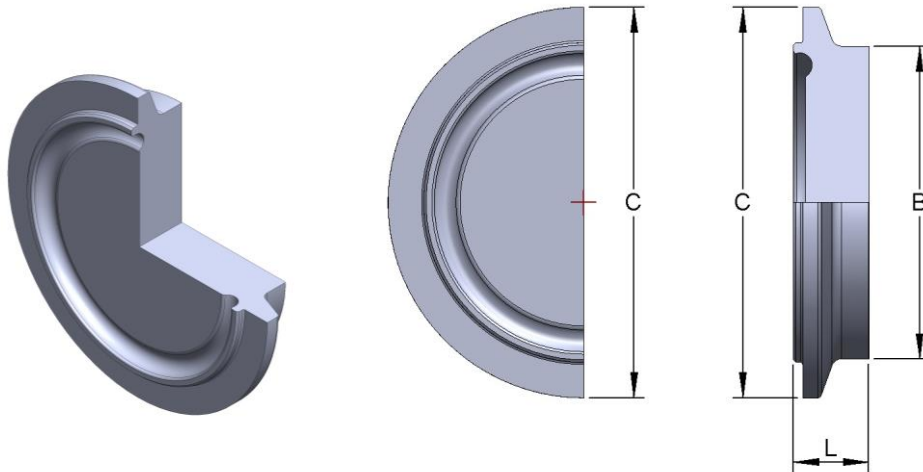
**A030 – DIN 11864/11853 "Form A" O Ring Union Seal
ISO 1127 Schedule Pipe**



Size	D1	D	Section	Part No EPDM	Part No FKM
NS 08	12.0	19.0	3.5	A030-E0135	A030-V0135
NS 10	16.0	23.0	3.5	A030-E0172	A030-V0172
NS 15	20.0	27.0	3.5	A030-E0213	A030-V0213
NS 20	26.0	33.0	3.5	A030-E0269	A030-V0269
NS 25	32.0	42.0	5	A030-E0337	A030-V0337
NS 32	40.5	50.5	5	A030-E0424	A030-V0424
NS 40	46.5	56.5	5	A030-E0483	A030-V0483
NS 50	58.5	68.5	5	A030-E0603	A030-V0603
NS 65	73.5	83.5	5	A030-E0761	A030-V0761
NS 80	86.5	96.5	5	A030-E0889	A030-V0889
NS 100	111.0	121.0	5	A030-E1143	A030-V1143

Dimensions are provided in good faith but may be subject to change, if dimensions are critical please call the office to confirm all sizes before placing an order.

**A142 - DIN 11864-3/11853-3 "Form A"
Clamp Blank Male - 316L SS - ISO 1127 Schedule Pipe**



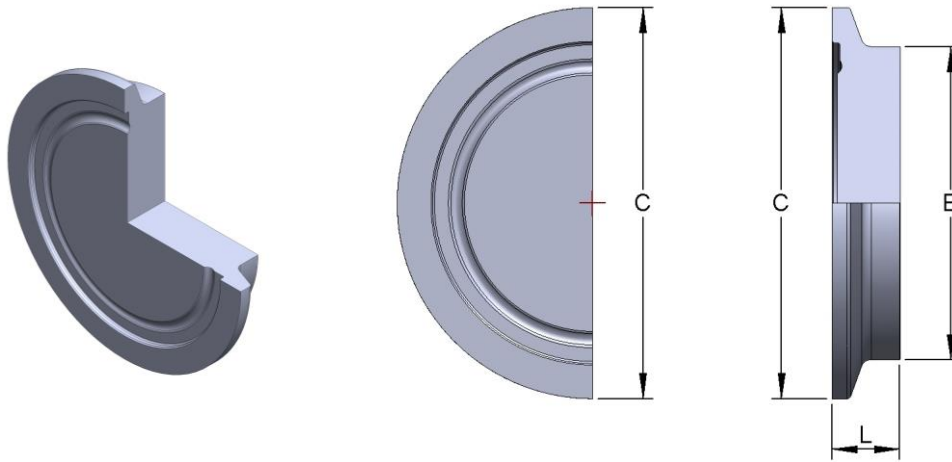
Size	C	B	L	Part No
NS 8	34.0		13	A142-A0135
NS 10	34.0		13	A142-A0172
NS 15	34.0		13	A142-A0213
NS 20	50.5		13	A142-A0269
NS 25	50.5		13	A142-A0337
NS 32	64.0		13	A142-A0424
NS 40	64.0		13	A142-A0483
NS 50	91.0		15	A142-A0603
NS 65	106.0		15	A142-A0761
NS 80	119.0		15	A142-A0889

Dimensions are provided in good faith but may be subject to change, if dimensions are critical please call the office to confirm all sizes before placing an order.

[DS Aseptic Clamp Union DIN 11864-3 ISO 1127 V 1.4](#)

Page No: 6

**A143 - DIN 11864-3/11853-3 "Form A"
Clamp Blank Female - 316L SS - ISO 1127 Schedule Pipe**



Size	C	B	L	Part No
NS 8	34.0		11.5	A143-A0135
NS 10	34.0		11.5	A143-A0172
NS 15	34.0		11.5	A143-A0213
NS 20	50.5		11.5	A143-A0269
NS 25	50.5		11.5	A143-A0337
NS 32	64.0		11.5	A143-A0424
NS 40	64.0		11.5	A143-A0483
NS 50	91.0		13.5	A143-A0603
NS 65	106.0		13.5	A143-A0761
NS 80	119.0		13.5	A143-A0889

Dimensions are provided in good faith but may be subject to change, if dimensions are critical please call the office to confirm all sizes before placing an order.

[DS Aseptic Clamp Union DIN 11864-3 ISO 1127 V 1.4](#)

Page No: 7