

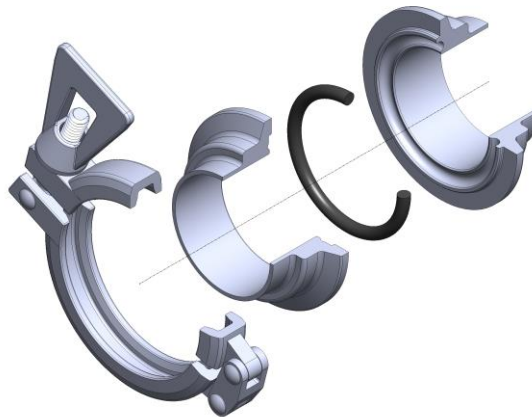
## DIN 11864-3/DIN 11853-3 Aseptic Clamp Unions for DIN 11866/11850

### DIN 11864-3/DIN 11853-3 Aseptic Clamp Unions

This range of aseptic fittings has been developed by the German hygienic industry to meet the exacting needs of the pharmaceutical, food and fine chemical industries.

Three designs of pipe fittings have been tailored to accept 2 different types of aseptic seals that effect a smooth interface within the pipe work whilst simultaneously achieving a metal to metal seat behind the joint.

The seal sections used are referenced as "Form A" and "Form B" and both have distinctive profiles that are easily recognised. Form A is an O Ring Joint whilst Form B is a 2-part Square section seal with a secondary internal diamond section.



The Type 3 design is based on the 3A Clamp union and uses the flange diameters common to the Metric DIN 32676 Standard.

Available with optional lengths to suit Orbital and Manual Welding, these unions have been designed to match tube and pipe specifications including DIN 11850 / 11866; ISO 2037; ASME BPE 2002 and BS 4825 Part 1 and also the ISO 1127 Standard for schedule pipe.

Size range: 10mm to 100mm

Materials: 316L SS

#### Related standards:

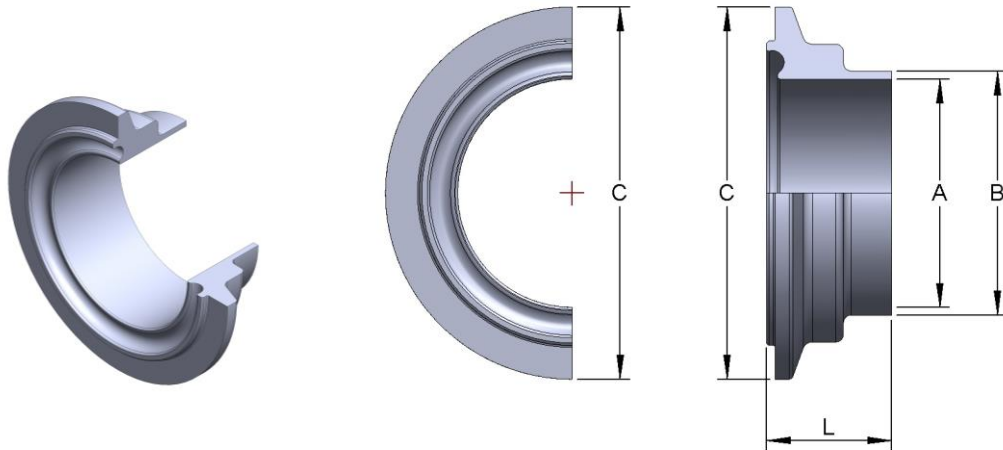
DIN 11864-1 Form A - Aseptic Screwed Union  
DIN 11864-2 Form A - Aseptic Flange Union  
DIN 11864-3 Form A - Aseptic Clamp Union  
DIN 11866 / 11850 / 11865  
ISO 1127  
ISO 2037 / BS 4825 /ASME BPE 2014  
DIN 11853 (Type 1 only)

Dimensions are provided in good faith but may be subject to change, if dimensions are critical please call the office to confirm all sizes before placing an order.

[DS Aseptic Clamp Union DIN 11864-3 DIN 11850/11866 V 1.2](#)

Page No: 1

**A140 - DIN 11864-3/11853-3 "Form A"  
Clamp Ferrule Male - 316L SS - DIN 11866/DIN 11850**



Size	A	B	C	L1 (Orbital Weld) DIN 11864-2	L2 (Manual Weld) DIN 11853-2	Part No DIN 11864-2	Part No DIN 11853-2
DN 10	10	13	34.0	39.5	23.5	A140-A010-64	A140-A010-53
DN 15	16	19	34.0	39.5	23.5	A140-A015-64	A140-A015-53
DN 20	20	23	50.5	39.5	23.5	A140-A020-64	A140-A020-53
DN 25	26	29	50.5	40.0	23.5	A140-A025-64	A140-A025-53
DN 32	32	35	50.5	45.5	25.5	A140-A032-64	A140-A032-53
DN 40	38	41	64.0	45.5	25.5	A140-A040-64	A140-A040-53
DN 50	50	53	77.5	46.0	26.0	A140-A050-64	A140-A050-53
DN 65	66	70	91.0	58.0	28.0	A140-A065-64	A140-A065-53
DN 80	81	85	106.0	60.0	30.0	A140-A080-64	A140-A080-53
DN 100	100	104	130.0	61.5	31.5	A140-A100-64	A140-A100-53
<b>DN 125</b>	125	129	155.0	60.0	-	A140-A125-64	-
<b>DN 150</b>	150	154	183.0	60.0	-	A140-A150-64	-
<b>DN 200</b>	200	204	233.5	60.0	-	A140-A200-64	-
<b>DN 250</b>	250	254	286.1	60.0	-	A140-A250-64	-
<b>DN 300</b>	300	304	338.5	75.0	-	A140-A300-64	-

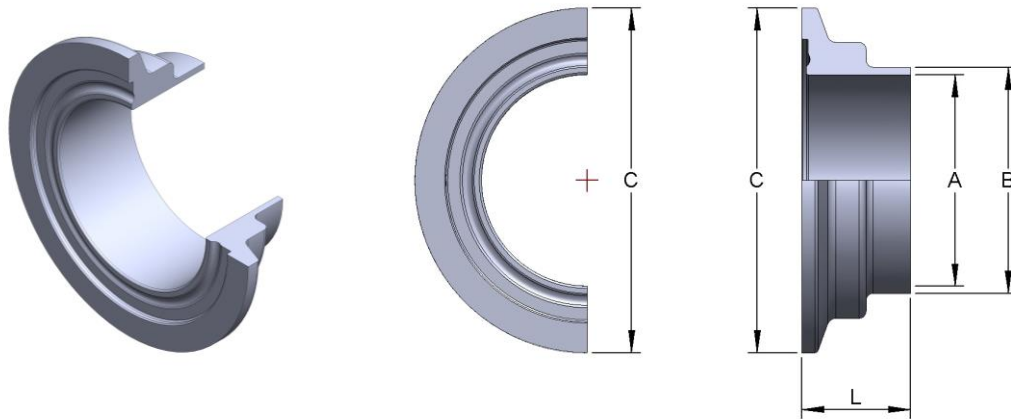
**Bold items are specials and are not included in the standard**

Dimensions are provided in good faith but may be subject to change, if dimensions are critical please call the office to confirm all sizes before placing an order.

[DS Aseptic Clamp Union DIN 11864-3 DIN 11850/11866 V 1.2](#)

Page No: 2

**A141 – DIN 11864-3/11853-3 “Form A”  
Clamp Ferrule Female - 316L SS - DIN 11866/DIN 11850**

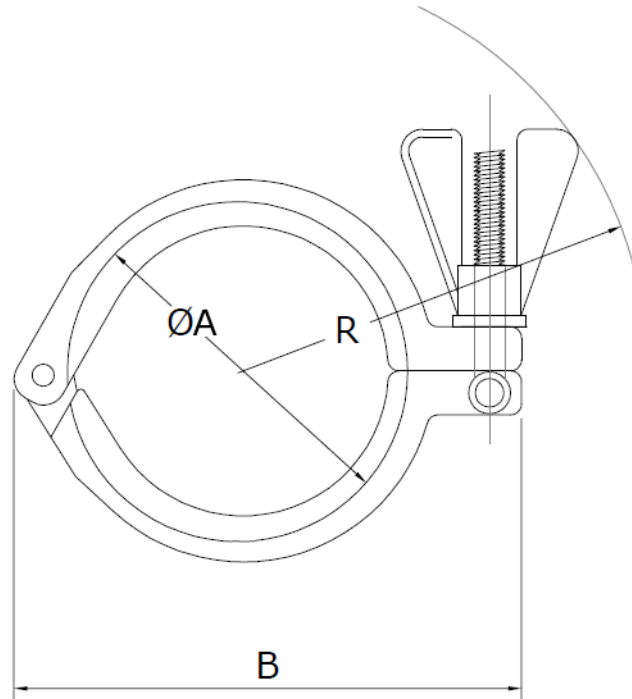


Size	A	B	C	L1 (Orbital Weld) DIN 11864-2	L2 (Manual Weld) DIN 11853-2	Part No DIN 11864-2	Part No DIN 11853-2
DN 10	10	13	34.0	38.0	22.0	A141-A010-64	A141-A010-53
DN 15	16	19	34.0	38.0	22.0	A141-A015-64	A141-A015-53
DN 20	20	23	50.5	38.0	22.0	A141-A020-64	A141-A020-53
DN 25	26	29	50.5	38.5	22.0	A141-A025-64	A141-A025-53
DN 32	32	35	50.5	44.0	24.0	A141-A032-64	A141-A032-53
DN 40	38	41	64.0	44.0	24.0	A141-A040-64	A141-A040-53
DN 50	50	53	77.5	44.5	24.5	A141-A050-64	A141-A050-53
DN 65	66	70	91.0	56.5	26.5	A141-A065-64	A141-A065-53
DN 80	81	85	106.0	58.5	28.5	A141-A080-64	A141-A080-53
DN 100	100	104	130.0	60.0	30.0	A141-A100-64	A141-A100-53
<b>DN 125</b>	125	129	155.0	60.0	-	A141-A125-64	-
<b>DN 150</b>	150	154	183.0	60.0	-	A141-A150-64	-
<b>DN 200</b>	200	204	233.5	60.0	-	A141-A200-64	-
<b>DN 250</b>	250	254	286.1	60.0	-	A141-A250-64	-
<b>DN 300</b>	300	304	338.5	75.0	-	A141-A300-64	-

**Bold items are specials and are not included in the standard**

Dimensions are provided in good faith but may be subject to change, if dimensions are critical please call the office to confirm all sizes before placing an order.

**3017 – DIN 11864-3/11853-3 Clamp - 304 SS  
DIN 11866/DIN 11850**



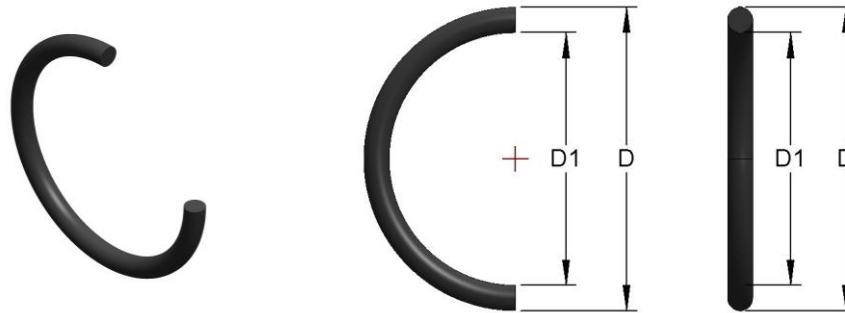
Size	A	B	R	Part No
DN 10	34.0	69	73	<a href="#">3017-C010-020</a>
DN 15	34.0	69	73	<a href="#">3017-C010-020</a>
DN 20	50.5	85	78	<a href="#">3017-C026-038</a>
DN 25	50.5	85	78	<a href="#">3017-C026-038</a>
DN 32	50.5	85	78	<a href="#">3017-C026-038</a>
DN 40	64.0	99	82	<a href="#">3017-C051</a>
DN 50	77.5	112	89	<a href="#">3017-C064</a>
DN 65	91.0	126	96	<a href="#">3017-C076</a>
DN 80	106.0	140	103	<a href="#">3017-C089</a>
DN 100	130.0	165	115	<a href="#">3017-C114</a>

Dimensions are provided in good faith but may be subject to change, if dimensions are critical please call the office to confirm all sizes before placing an order.

[DS Aseptic Clamp Union DIN 11864-3 DIN 11850/11866 V 1.2](#)

Page No: 4

**A030 – DIN 11864/11853 “Form A”  
O Ring Union Seal - DIN 11866/DIN 11850**



Size	D1	D	Section	Part No EPDM	Part No FKM
DN 10	12	19	3.5	A030-E010	A030-V010
DN 15	18	25	3.5	A030-E015	A030-V015
DN 20	22	29	3.5	A030-E020	A030-V020
DN 25	28	35	3.5	A030-E025	A030-V025
DN 32	34	44	5	A030-E032	A030-V032
DN 40	40	50	5	A030-E040	A030-V040
DN 50	52	62	5	A030-E050	A030-V050
DN 65	68	78	5	A030-E065	A030-V065
DN 80	83	93	5	A030-E080	A030-V080
DN 100	102	112	5	A030-E100	A030-V100
<b>DN 125</b>	127	137	5	A030-E125	A030-V125
<b>DN 150</b>	152	162	5	A030-E150	A030-V150

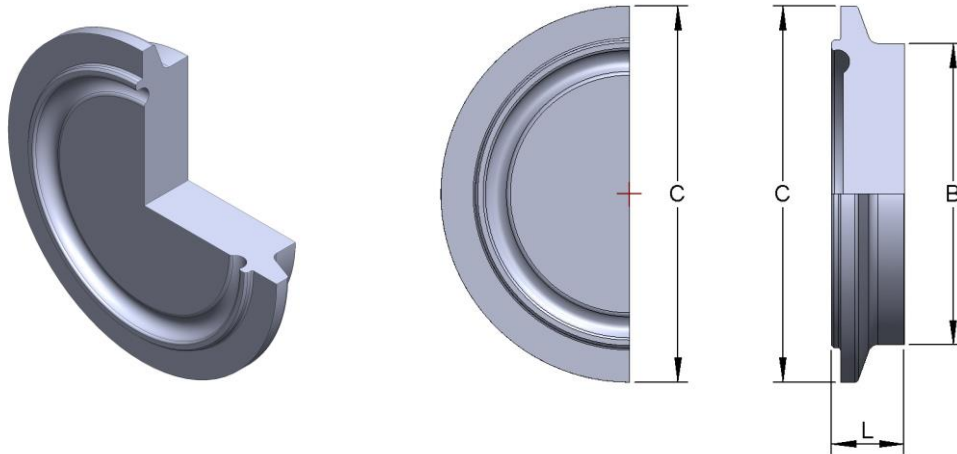
**Bold items are specials and are not included in the standard**

Dimensions are provided in good faith but may be subject to change, if dimensions are critical please call the office to confirm all sizes before placing an order.

[DS Aseptic Clamp Union DIN 11864-3 DIN 11850/11866 V 1.2](#)

Page No: 5

**A142 – DIN 11864-3/11853-3 “Form A”  
Clamp Blank Male - 316L SS - DIN 11866/DIN 11850**



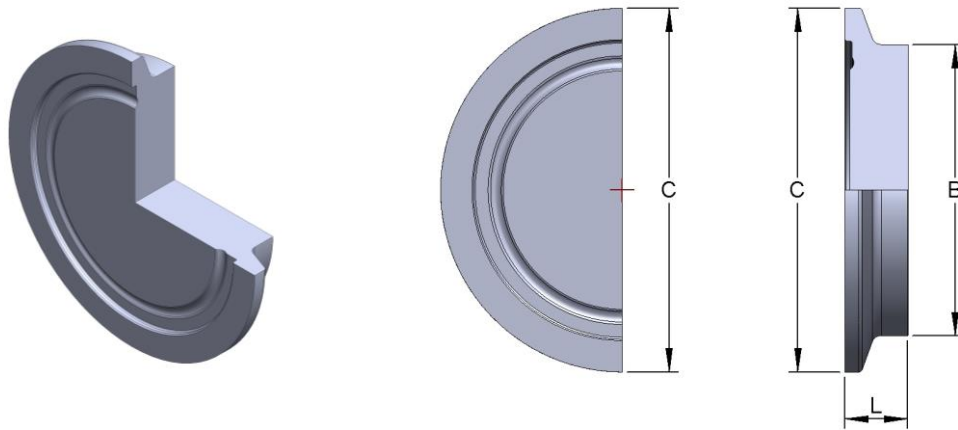
Size	C	B	L	Part No
DN 10	34.0		13	A142-A010
DN 15	34.0		13	A142-A015
DN 20	50.5		13	A142-A020
DN 25	50.5		13	A142-A025
DN 32	50.5		13	A142-A032
DN 40	64.0		13	A142-A040
DN 50	77.5		15	A142-A050
DN 65	91.0		15	A142-A065
DN 80	106.0		15	A142-A080
DN 100	130.0		15	A142-A100
<b>DN 125</b>	183.0		15	A142-A125
<b>DN 150</b>	213.0		15	A142-A150

**Bold items are specials and are not included in the standard**

Dimensions are provided in good faith but may be subject to change, if dimensions are critical please call the office to confirm all sizes before placing an order.



**A143 – DIN 11864-3/11853-3 “Form A”  
Clamp Blank Female - 316L SS - DIN 11866/DIN 11850**



Size	C	B	L	Part No
DN 10	34.0		11.5	A143-A010
DN 15	34.0		11.5	A143-A015
DN 20	50.5		11.5	A143-A020
DN 25	50.5		11.5	A143-A025
DN 32	50.5		11.5	A143-A032
DN 40	64.0		11.5	A143-A040
DN 50	77.5		13.5	A143-A050
DN 65	91.0		13.5	A143-A065
DN 80	106.0		13.5	A143-A080
DN 100	130.0		13.5	A143-A100

Dimensions are provided in good faith but may be subject to change, if dimensions are critical please call the office to confirm all sizes before placing an order.

[DS Aseptic Clamp Union DIN 11864-3 DIN 11850/11866 V 1.2](#)

Page No: 7