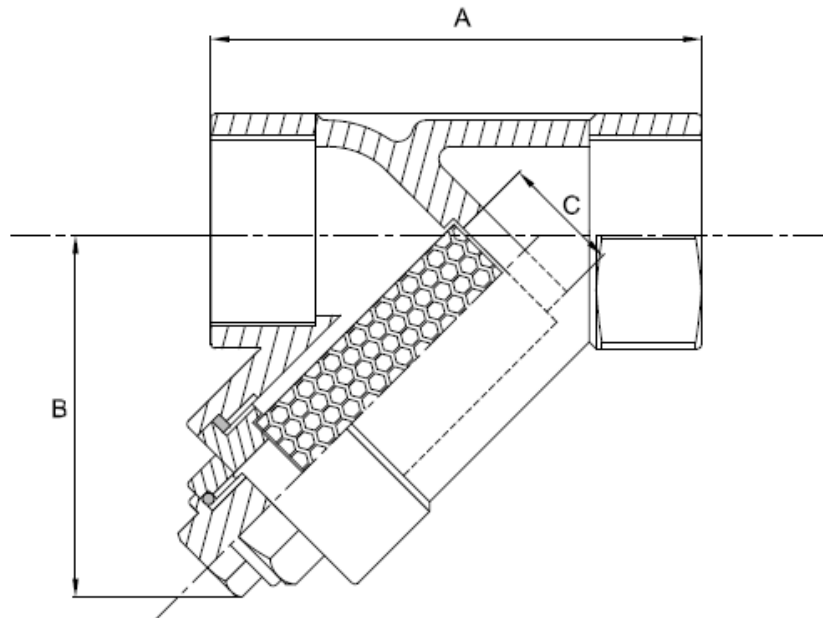


## 807Y – BSP / NPT Y-Strainers



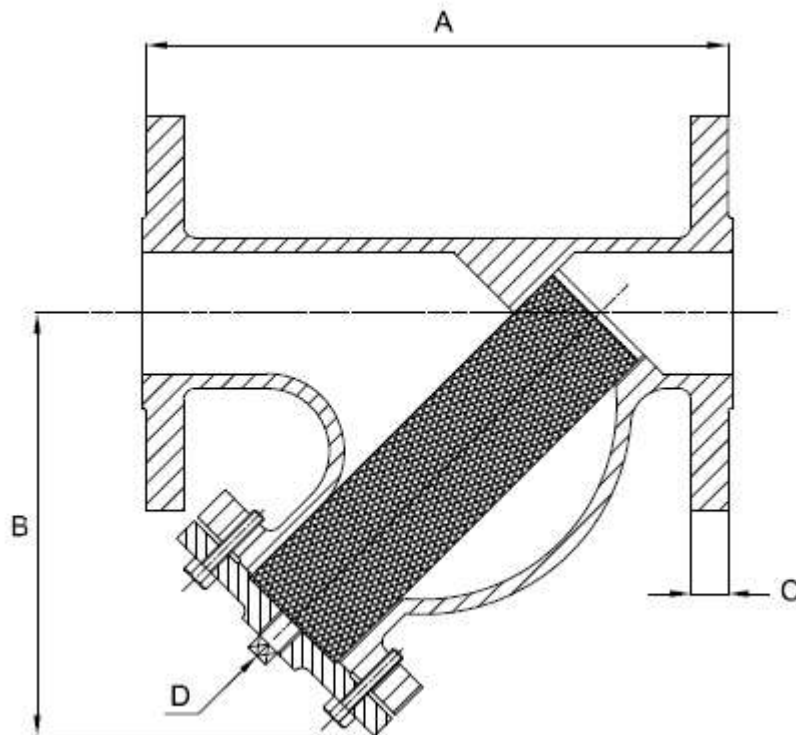
Part No:	Size BSP / NPT	Size DN	A	B	C	Max Pressure Bar
807Y-B0064	¼"	8	65	51	10	40
807Y-B0095	⅜"	10	65	51	12	40
807Y-B013	½"	15	65	51	15	40
807Y-B019	¾"	20	80	60	20	40
807Y-B026	1"	25	90	72	25	40
807Y-B031	1 ¼"	32	105	77	32	40
807Y-B038	1 ½"	40	120	87	40	40
807Y-B051	2"	50	140	103	50	40
807Y-B064	2 ½"	65	180	124	65	40
807Y-B076	3"	80	200	143	80	40

Body Material – 316SS EN 1503-1 (1.4408) Investment casting with Screwed bonnet  
 Standard perforation size 1.0mm at 2.0mm spacing  
 Double screen option at 40 to 200 mesh  
 Body seal material – PTFE  
 O Ring - Viton®  
 Threaded en options: BSP (BS21), BSPT, ISO 228-1, DIN 2999 and ISO 7 – 1Rp  
 Pressure testing to EN 12266

The data sheet is offered as a guide only and dimensions vary slightly with the different material options

Dimensions are provided in good faith but may be subject to change, if dimensions are critical please call the office to confirm all sizes before placing an order.

## F08Y – PN16 Flanged Y-Strainers



Part No:	Size:	A	B	C	D (NPT)	Weight (Kgs)	Mesh (mm)
F08Y-B050	50	230	120	20	½"	12.5	1.5
F08Y-B065	65	290	140	20	1"	18.0	1.5
F08Y-B080	80	310	165	22	1"	27.0	1.5
F08Y-B100	100	350	220	24	1 ¼"	41.0	1.5
F08Y-B125	125	400	260	26	1 ¼"	55.0	1.5
F08Y-B150	150	480	300	26	1 ½"	77.0	1.5
F08Y-B200	200	600	360	30	1 ½"	123.0	1.5
F08Y-B250	250	730	470	32	2"	211.0	1.5
F08Y-B300	300	850	560	32	2"	310.0	1.5

Body Materials - 304SS, 316SS, Cast Iron and Mild Steel  
 Flanged Body – PN16 BS EN 1092-2  
 Working Pressure – 16 Bar at -10°C to 120°C and 11.8 Bar at 230°C

The data sheet is offered as a guide only and dimensions vary slightly with the different material options

Dimensions are provided in good faith but may be subject to change, if dimensions are critical please call the office to confirm all sizes before placing an order.

DS 807Y Y Strainers V 1.1

Page No: 2